

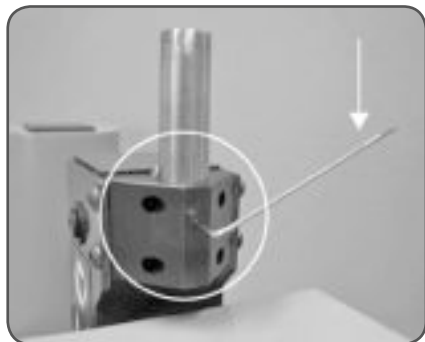
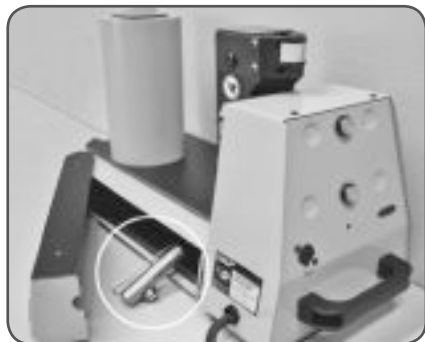


# SKF TIH 100m

Instructions for use  
Mode d'emploi  
Bedienungsanleitung  
Instrucciones de uso

Manuale d'istruzioni  
Instruções de uso  
使用说明书  
Инструкция по эксплуатации

Техническая поддержка:  
[mail@indpart.ru](mailto:mail@indpart.ru), 8(495)223-07-69



English	2	English
Français	16	Français
Deutsch	30	Deutsch
Español	44	Español
Italiano	58	Italiano
Português	72	Português
中文	86	中文
Русский	100	Русский

EC Declaration of conformity.....	3
Safety recommendations.....	4
1. Introduction .....	5
1.1 Intended use.....	5
1.2 Principle of operation.....	5
1.3 Distinguishing features .....	6
2. Description.....	6
2.1 Components .....	6
2.2 Technical data.....	7
3. Installation of mains plug .....	8
4. Preparation for use .....	9
5. Operation.....	10
5.1 Function of displays .....	10
5.2 Function of buttons.....	10
5.3 Temp mode.....	11
5.4 Time mode .....	12
5.5 Temperature measurement .....	12
5.6 Change of temperature unit.....	12
5.7 Demagnetisation.....	12
5.8 Power level selection.....	13
6. Safety features .....	13
7. Troubleshooting .....	14
8. Spare parts .....	15

Original instructions

## EC Declaration of conformity

We,  
SKF Maintenance Products  
Kelvinbaan 16  
3439 MT Nieuwegein  
The Netherlands

herewith declare that the following product:

### SKF Induction Heater TIH 100m

has been designed and manufactured in accordance with:  
EUROPEAN LOW VOLTAGE DIRECTIVE 2006/95/EC  
EMC DIRECTIVE 2004/108/EC as outlined in the harmonized norm for  
EN61000-6-3:2007 /A1:2011  
EN61000-6-2:2005  
EN61000-4-2  
EN61000-4-3  
EN61000-4-4  
EN61000-4-5  
EN61000-4-6  
EN61000-4-8  
EN61000-4-11

EUROPEAN ROHS DIRECTIVE 2011/65/EU

Nieuwegein, The Netherlands,  
November 2014



Sébastien David  
Manager Product Development and Quality



### Safety recommendations

- Because the TIH 100m generates a magnetic field, people wearing a pacemaker must not be within 5 m (16 ft) of the TIH 100m during operation. Electronic equipment, such as wristwatches, may also be affected.
- During the heating process observe a safety distance of 50 cm (1.6 ft) with the workpiece, the heater coil or the core.
- Follow the operating instructions at all times.
- Be certain that the voltage supply is correct.
- Electrical arcing may occur when a potential difference exists between the TIH 100m and the workpiece. This is not dangerous to human beings and will not cause damage to the TIH 100m or the workpiece. However, the TIH 100m must never be used in areas where there is a risk of explosion.
- Do not expose the TIH 100m to high humidity.
- Never operate the TIH 100m without a yoke in position.
- Never operate the TIH 100m with the cable of the remote control between the vertical supports of the yoke.
- Do not modify the TIH 100m.
- Use proper handling equipment when lifting heavy workpieces.
- Avoid contact with hot workpieces. Wear the supplied heat resistant gloves to handle hot workpieces.



## 1. Introduction

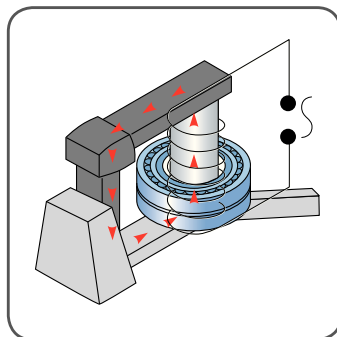
The SKF TIH 100m induction heater is designed to heat bearings, which are mounted with an interference fit onto a shaft. The heat causes the bearing to expand, which eliminates the need to use force during installation. A 90 °C (162 °F) temperature difference between the bearing and shaft is generally sufficient to enable installation. At an ambient temperature of 20 °C (68 °F), the bearing must therefore be heated to 110 °C (230 °F).

### 1.1 Intended use

The TIH 100m has been designed to heat rolling bearings. However, other metal workpieces that form a closed circuit can also be heated. Examples of acceptable workpieces include bushings, shrink rings, pulleys, and gears. All bearings that fit over the inductive coil and between the vertical supports with the top yoke in place can be heated using the TIH 100m. In addition, smaller bearings can be placed over any of the three standard yokes. See the illustrations at the beginning of this manual for examples.

### 1.2 Principle of operation

The principle of operation of the TIH 100m can be compared to a transformer. The high voltage, low electrical current flowing through a large number of windings in the TIH 100m's inductive coil induces low voltage, high current electricity in the workpiece. Because the workpiece has the electrical characteristics of a coil with a single, short-circuited winding, the high current generates heat within the workpiece. Because the heat is generated within the workpiece, all of the heater components remain cool.



### 1.3 Distinguishing features

- **Remote control panel**  
To improve the ease of use and to help reduce the risk of contact with the hot bearing during operation, the TIH 100m heater is supplied with a remote control panel which can be detached from the heater.
- **Inductive coil**  
When heated the workpiece is located at the same position on the core as the inductive coil. This design improves efficiency, resulting in less power consumption and faster heating, which reduces the cost to heat each bearing.
- **Folding bearing supports**  
To support large bearings positioned around the inductive coil, the TIH 100m induction heater is fitted with folding bearing supports. See the illustrations at the beginning of this manual.
- **Swivel yoke**  
To facilitate the handling of the yoke while placing the bearing around the inductive coil or around the top yoke, the TIH 100m is fitted with a swivel arm for the large yoke.
- **Yoke storage**  
All three yokes can be stored inside the heater. The two yoke storages are located behind the folding bearing supports. The small and medium yokes are stored together in one yoke storage. The large yoke is stored alone in the other yoke storage. See the illustrations at the beginning of this manual.

## 2. Description

The operation of the heater is controlled by the internal electronics in either of two modes. The operator can either select the desired temperature of the bearing in TEMP MODE or set the length of time that the bearing will be heated in TIME MODE. The power level can be adjusted to 100% or 50% for slower heating of sensitive workpieces (for example, bearings with C1 or C2 clearance).

### 2.1 Components

The TIH 100m induction heater contains a U-shaped iron core with an inductive coil surrounding one of the vertical supports. A detachable remote control panel is included. The remote control electronics and the internal electronics, control the operation of the heater. A removable yoke on the top of the vertical supports, allows the workpiece to be placed onto the heater. The largest of the three yokes can swivel around its vertical post. To accommodate smaller workpieces, two smaller yokes are also provided. A temperature probe is included with the heater. Heat-resistant gloves are also included.



TIH 100m	
Voltage	TIH 100M/230V : 230V / 50 - 60Hz TIH 100M/MV : 400 - 460V / 50 - 60Hz
Tolerance en voltage	± 10%
Recommended line protection	16 A fuse rating for 230 V 10 A fuse rating for 400 - 460 V
Power consumption (maximum)	3,6 kVA for 230 V 4,0 - 4,6 kVA for 400 - 460 V
Temperature control	0 - 250 °C (32 - 482 °F); in steps of 1°
Probe type	Thermocouple, K type
Probe maximum temperature	250 °C (482 °F)
Time mode	0 - 60 minutes; in steps of 0,1 minute
Power range	100% - 50%
Demagnetization	automatic; residual magnetism <2A/cm
Overall dimensions (w x d x h)	570 x 230 x 350 mm (22.4 x 9.0 x 13.7 in)
Area between supports (width x height)	155 x 205 mm (6.1 x 8.0 in)
Coil diameter	110 mm (4.3 in) For minimum bearing bore diameter of 120 mm (4.7 in)
Weight (with yokes)	42 kg (92 lbs)
Workpiece maximum weight	Bearing: 120 kg (264 lbs) Solid component: 60 kg (132 lbs)
Maximum heating temperature	approx. 400 °C (752 °F)
m <sub>20</sub> *	97 kg (bearing 23156)
Standard yoke dimensions:	For minimum bearing bore diameter of:
56 x 56 x 296 mm (2.2 x 2.2 x 11.7 in)	80 mm (3.1 in)
28 x 28 x 296 mm (1.1 x 1.1 x 11.7 in)	40 mm (1.6 in)
14 x 14 x 296 mm (0.6 x 0.6 x 11.7 in)	20 mm (0.8 in)

\*m<sub>20</sub> represents the weight (kg) of the heaviest SRB 231 bearing that can be heated from 20 to 110 °C (68 to 230 °F) in 20 minutes.

### 3. Installation of mains plug

A qualified electrician must install a suitable mains plug.  
The correct supply voltage is shown in section 2.2.  
The wires should be connected as follows:

TIH 100M/230V	
Colour of TIH 100m/230V	Mains supply terminal
yellow / green	ground
blue	neutral
brown	phase

TIH 100M/MV	
Colour of TIH 100m/MV wire	Mains supply terminal
yellow / green	ground
blue	phase
brown	phase

Connect the TIH 100M/MV to only two of the three phases in order to obtain 400-460 V.

## 4. Preparation for use

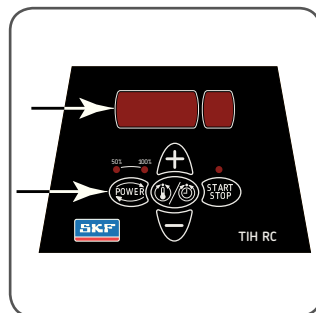
- Place the TIH 100m in the horizontal position on a stable surface.
- Connect the mains plug to a suitable mains supply.
- Plug the remote control into the connector on the carrying handle side of the heater.
- Mount the swivel stud on the vertical post side of the swivel arrangement. See the illustrations at the beginning of this manual. Position the large yoke swivel on the swivel stud.
- For workpieces with an internal diameter large enough to fit over the inductive coil, follow these steps:
  - Open the foldable bearing support and position them as shown on the illustrations at the beginning of this manual.
  - Place the workpiece over the inductive coil using appropriate lifting equipment.
  - For best performance, adjust the position of the workpiece so that the inductive coil is in the centre.
  - Close the swivel yoke so that it completely covers the top of both vertical supports.
- For workpieces that do not fit over the inductive coil, follow these steps:
  - Choose the largest of the three yokes that fit through the internal diameter of the workpiece.
  - Slide the workpiece onto the yoke that you have selected.
  - Heavy workpieces (= 9 kg (19.8 lbs)) that must be installed on the top yoke should be supported until the yoke is in the correct position on the coil side post. The heater may tip over if the workpiece is not supported.
  - Position the yoke on the TIH 100m with the bright underside resting evenly on the two vertical supports.
- If you will use TEMP MODE, plug the temperature probe into the connector on the carrying handle side of the heater. Place the magnetic end of the probe on top of the inner ring of the bearing or on the innermost surface of the workpiece.
- Switch on the TIH 100m.
- Observe the self-test of the remote control display and signal tone.

## 5. Operation

### 5.1 Function of displays

- The remote control display shows the selected time or temperature for heating.
- The power LED's show the selected power setting.

Display	Indication
t	time in minutes
°C	temperature in degrees Celcius
°F	temperature in degrees Fahrenheit



### 5.2 Function of buttons

Button	Function
POWER	Press to adjust the power. The selected power is indicated with an LED
MODE	Press to switch between TIME MODE and TEMP MODE
UP (+)	Press to increase the value shown on the remote control display
DOWN(-)	Press to decrease the value shown on the remote control display
START / STOP	Press to start or stop the heater. The LED on the START/ STOP button is lit when the heater is heating and flashes during temperature measurement

- If the remote control display shows 't', press MODE to select TEMP MODE. The remote control display shows °C or °F in TEMP MODE.
- The selected temperature is shown on the remote control display. The default temperature for bearings is 110 °C (230 °F). If a different temperature is desired, press UP or DOWN to adjust the temperature in steps of 1°.
- It may be desirable to heat bearings to temperatures above 110 °C (230 °F) for increased mounting time. Consult the SKF bearing specifications to determine the maximum permitted temperature. Always ensure the bearing does not lock due to an excessive expansion of the inner ring compared to outer ring. See section 5.8.
- If needed, press POWER to select the power level. Use the guidelines in section 5.8 to determine the correct power setting.
- Make sure the temperature probe is mounted on the bearing inner ring.
- Press START / STOP to start the heater. The remote control display shows the current temperature of the workpiece.
- During heating the selected temperature can be displayed for 1 second by pressing MODE.
- When the selected temperature has been reached, the heater demagnetises the workpiece, switches off, and generates an acoustic signal for 10 seconds or until START / STOP is pressed.
- Press START / STOP to cancel the acoustic signal and stop the heater.
- Remove the workpiece with proper handling equipment.
- If the workpiece remains on the heater, the heater will start again when the temperature of the workpiece drops 10 °C (18 °F). Press START / STOP to stop the heater and demagnetise the workpiece.
- The TIH 100m is now ready to heat another workpiece with the same settings.

## 5.4 Time mode

- If the remote control display shows °C or °F, press MODE to select TIME MODE. The remote control display shows 't' in TIME MODE.
- Press UP or DOWN to adjust the time in steps of 0.1 minute.
- Press POWER to select the power level. Use the guidelines in section 5.8 to determine the correct power setting.
- Press START / STOP to start the heater. The remote control display shows the time that remains.
- During heating, the temperature measured by the probe can be displayed for a couple of seconds by pressing MODE.
- When the time has elapsed, the heater demagnetises the workpiece, switches off, and generates an acoustic signal for 10 seconds.
- Press START / STOP to cancel the acoustic signal and stop the heater.
- Remove the workpiece with proper handling equipment.
- The TIH 100m is now ready to heat another workpiece with the same settings.

## 5.5 Temperature measurement

When the heater is not operating, the temperature of the workpiece can be measured by pressing MODE and START / STOP at the same time. The LED on the START / STOP button flashes during temperature measurement. Press START / STOP to cancel temperature measurement.

## 5.6 Change of temperature unit

Press MODE and UP at the same time to switch between °C and °F. The temperature unit setting remains the same even after disconnection from mains power.

## 5.7 Demagnetisation

The workpiece is automatically demagnetised when heating is complete. Demagnetisation will not occur if the power is interrupted or the main switch is switched off. To use the TIH 100m for demagnetisation only, select TIME MODE and set the time to 0.1 minute (6 seconds).

When heating bearings with an induction heater, most of the heat will be generated in the inner bearing race. The heat will then be transferred through the bearing. It is therefore important that bearings with reduced internal clearance are heated slowly. Slow heating ensures that the bearing expands evenly, thereby preventing damage to the bearing. The shape, weight, size, and internal clearances all affect the amount of time required to heat a bearing. The large variety of bearing types precludes the possibility of providing a specific power level setting for each type. Instead, the following guidelines are provided:

- "For sensitive bearings (including bearings with C1 or C2 internal clearance) or bearings with brass cages, preferably use 50% power.
- "When using the small yoke, never exceed 50% power.

## 6. Safety features

The TIH 100m is equipped with the following safety features:

- "Automatic overheating protection
- "Automatic current control
- "Over-current circuit breaker.
- "In the TEMP MODE the heater will switch off if the temperature probe does not register a temperature increase of 1 °C (1.8 °F) every 15 seconds (0.25 minute). To increase the interval to 30 seconds (0.50 minute), press MODE and DOWN at the same time.

## 7. Troubleshooting

A system fault will be indicated by an acoustic signal and one of the following fault codes on the remote control display:

Display	Fault	Action
E03 E	Overheated coil	Wait until the inductive coil cools. Switch the heater OFF and then back ON
E05 E	Temperature increase of less than 1 °C (1.8 °F) every 15 seconds (or 1 °C (1.8 °F) every 30 seconds)	Check the temperature probe connection. If the connection is OK, select the 30 second interval as described in section 6 or operate the heater in TIME MODE
E06 E	Temperature probe not connected (or defective) or excessive temperature drop	Check the temperature probe
E10 E	Electronics communication problem	Switch the heater OFF and then back ON. If problem remains return the TIH to SKF for repair
E11 E	Electronics communication problem	Switch the heater OFF and then back ON. If problem remains return the TIH to SKF for repair
E12E	Electronics communication problem	Switch the heater OFF and then back ON. If problem remains return the TIH to SKF for repair



## 8. Spare parts

Designation	Description
TIH 100-P230V	Power print 230V - 220-240V, 50 - 60 Hz
TIH 100-PMV	Power print 400 - 460V, 50 - 60 Hz
TIH 100-Y8	Yoke 56 x 56 x 296 mm
TIH 100-Y6	Yoke 40 x 40 x 296 mm
TIH 100-Y4	Yoke 28 x 28 x 296 mm
TIH 100-Y3	Yoke 20 x 20 x 296 mm
TIH 100-Y2	Yoke 14 x 14 x 296 mm
TIH CP	Control print
TIH RC	Remote control
TIH CB16A	Circuit breaker 16A for TIH 100m/230V
TIH CB10A	Circuit breaker 10A for TIH 100m/MV
TIH P20	Temperature probe K type incl. cable and plug

Дeclaration de conformite CE .....	17
Recommandations de securite.....	18
1. Introduction .....	19
1.1 Utilisation prevue.....	19
1.2 Principe de fonctionnement.....	19
1.3 Caracteristiques specifiques.....	20
2. Description.....	20
2.1 Composants.....	20
2.2 Caracteristiques techniques.....	21
3. Installation de la prise secteur.....	22
4. Preparation pour utilisation .....	23
5. Fonctionnement .....	24
5.1 Fonction des ecrans .....	24
5.2 Fonction des boutons.....	24
5.3 Mode "TEMP MODE".....	25
5.4 Mode "Mode Duree".....	26
5.5 Mesure de la temperature .....	26
5.6 Modification de l' unite de mesure de la temperature.....	26
5.7 Demagnetisation.....	26
5.8 Selection du niveau de puissance.....	27
6. Dispositifs de securite .....	27
7. Depannage.....	28
8. Pieces de rechange.....	29

Traduction extraite du mode d'emploi d'origine

## Déclaration de conformité CE

Nous,  
SKF Maintenance Products  
Kelvinbaan 16  
3439 MT Nieuwegein  
Pays-Bas

déclarons que le produit suivant:

### Le Chauffage Par Induction SKF TIH 100M

a été conçu et fabriqué conformément à  
la DIRECTIVE EUROPÉENNE RELATIVE AUX BASSES TENSIONS 2006/95/EC  
la EMC DIRECTIVE 2004/108/EC, telle qu'elle est décrite dans la norme  
harmonisée pour

EN61000-6-3:2007 /A1:2011

EN61000-6-2:2005

EN61000-4-2

EN61000-4-3

EN61000-4-4

EN61000-4-5

EN61000-4-6

EN61000-4-8

EN61000-4-11

DIRECTIVE EUROPÉENNE ROHS 2011/65/UE

Nieuwegein, Pays-Bas,  
Le 1 novembre 2014



Sébastien David  
Responsable Développement de Produits et Responsable Qualité



### Recommandations de sécurité

- Comme l'appareil TIH 100m produit un champ magnétique, il est vivement recommandé aux porteurs de stimulateur cardiaque de se tenir à une distance minimale de 5 mètres du TIH 100m pendant le fonctionnement de l'appareil. Tous les appareils électroniques tels que les montres-bracelets peuvent aussi être "dérégulés" par ce champ magnétique.
- Observez bien attentivement et à tout moment toutes les instructions d'utilisation.
- S'assurer que la tension d'alimentation est correcte.
- Un arc électrique peut se produire lorsqu'il existe une différence de potentiel entre le TIH 100m et la pièce à chauffer. Cet arc électrique est inoffensif pour les êtres humains et n'endommage ni le TIH 100m ni la pièce à chauffer. Ne jamais utiliser le TIH 100m dans des zones comportant un risque d'explosion.
- Le TIH 100m ne doit pas être exposé à l'humidité en condensation ni au contact direct avec l'eau.
- Ne jamais utiliser le TIH 100m sans la mise en place d'un barreau.
- Ne jamais utiliser le TIH 100m avec le câble de la télécommande entre les supports verticaux du barreau.
- Ne jamais modifier le TIH 100m.
- Des outils de manutention adaptés doivent être utilisés pour soulever des pièces lourdes.
- Il faut éviter tout contact avec les pièces chauffées. Pour leur manipulation, équipez-vous de gants résistants à la chaleur.
- Lors du processus de chauffage, restez à une distance de sécurité de 50 cm de la pièce à chauffer, de la bobine de chauffage et du noyau.



## 1. Introduction

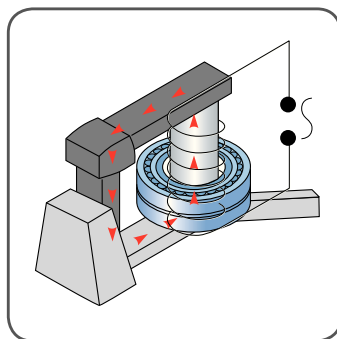
Le SKF TIH 100m est un appareil de chauffage par induction, conçu pour chauffer des roulements montés avec un ajustement serré sur un arbre. La chaleur produite dilate le roulement, et permet ainsi d'effectuer un montage sans endommager le roulement et sans effort. Un écart de température de 90 °C entre le roulement et l'arbre est en général suffisant pour le montage. À une température ambiante de 20 °C, le roulement doit donc être chauffé à 110 °C.

### 1.1 Utilisation prévue

Le TIH 100m a été conçu pour chauffer les roulements. Mais toute autre pièce métallique qui forme un circuit fermé peut également être chauffée. C'est le cas, par exemple, des bagues de serrage, des poulies, des pignons et des engrenages. Tous les roulements pouvant être positionnés autour de la bobine verticale à induction et entre les supports verticaux, avec impérativement l'un des barreaux supérieur mis en place, peuvent être chauffés grâce au TIH 100m de façon optimale (gain de temps et d'énergie). Suivant leur diamètre intérieurs les plus petits roulements seront en outre placés autour de l'un des trois barreaux horizontaux livrés en standards (on utilisera alors la fonction "réglage de puissance"). Consultez les illustrations au début de ce manuel pour plus d'exemples.

### 1.2 Principe de fonctionnement

Le principe de fonctionnement du TIH 100m est comparable à celui d'un transformateur. Le courant électrique de haute tension et de faible intensité qui circule dans les nombreux enroulements de la bobine verticale à induction du TIH 100m produit un courant électrique de basse tension et de forte intensité dans la pièce à chauffer. La pièce à chauffer ayant les caractéristiques électriques d'une bobine avec un enroulement unique court-circuité, la haute intensité produit alors de la chaleur dans la pièce. La chaleur n'est donc produite qu'à l'intérieur de la pièce, toutes les pièces adjacentes de l'appareil restant froides.



### 1.3 Caractéristiques spécifiques

- **Télécommande**

Pour améliorer la facilité d'emploi et réduire le risque de contact avec le roulement chaud pendant son fonctionnement, le chauffage TIH 100m est fourni avec une télécommande que l'on peut détacher du chauffage.

- **Bobine à induction**

Lors de son chauffage, la pièce peut-être placée sur le socle, autour et dans la même position que la bobine à induction verticale. Ce montage améliore considérablement l'efficacité de l'appareil, permet de réaliser des économies d'énergie et d'accélérer le processus de chauffage. Tout ceci combiné, entraîne une réduction totale du coût de chauffage de chaque roulement.

- **Supports de roulement**

Pour supporter de grands roulements disposés autour de la bobine à induction, le chauffage par induction TIH 100m est équipé de 2 supports de roulement qui se déplient. Voir les illustrations au début de ce manuel.

- **Barreau pivotant**

Pour faciliter la manipulation du barreau lors de la mise en place du roulement autour de la bobine à induction ou autour du barreau supérieur, le TIH 100m est doté d'un bras pivotant destiné au grand barreau.

- **Rangement des barreaux**

Les trois barreaux peuvent être rangés à l'intérieur du chauffage afin de les protéger et d'avoir un ensemble compact. Les deux espaces de rangement des barreaux se trouvent derrière les supports pliants. Les barreaux petit et moyen se rangent ensemble dans un seul espace. Le grand barreau se range seul dans l'autre espace. Voir les illustrations au début de ce manuel.

## 2. Description

Le fonctionnement du chauffage est commandé par le module de commande électronique, et ce suivant deux modes de fonctionnement : L'utilisateur peut choisir de régler soit la température du roulement souhaitée en TEMP MODE (mode température) soit de fixer la durée pendant laquelle le roulement sera chauffé en TIME MODE (mode durée). Le niveau de puissance peut être réglé à 100% ou 50 % pour le chauffage plus lent de pièces sensibles (comme par exemple les petits roulements ou ceux à jeu réduit de type C1 ou C2).

### 2.1 Composants

Le chauffage par induction TIH 100m contient un noyau en fer en forme de U avec une bobine à induction qui entoure l'un des supports verticaux. Une télécommande amovible est incluse. L'électronique de la télécommande et l'électronique interne commandent le fonctionnement de l'appareil de chauffage. Un barreau amovible dans la partie supérieure des supports verticaux permet de placer la pièce sur l'appareil de chauffage. Le plus grand des trois barreaux peut pivoter autour de son montant vertical. Deux barreaux plus petits sont également fournis en standard pour installer les pièces plus petites. L'appareil est également équipé d'une sonde de température assurant la sécurité de chauffe. Une paire de gants résistants à la chaleur (max 150°C) est livrée avec l'équipement.

TIH 100m	
Tension	TIH 100M/230V : 230V / 50 - 60Hz TIH 100M/MV : 400 - 460V / 50 - 60Hz
Tolérance en voltage	± 10%
Protection de ligne recommandée	Fusible 16 A de classe 230 V Fusible 10 A de classe 400 - 460 V
Consommation électrique (maximum)	3,6 kVA pour 230 V 4,0 - 4,6 kVA pour 400 - 460 V
Contrôle de température	0 à 250 °C par paliers de 1°C
Type de sonde	Thermocouple, de type K
Température maximale admissible par le capteur	250 °C
Mode Durée	0 à 60 minutes par paliers de 0,1 minute
Gamme de puissance	100% - 50%
Démagnétisation	automatique ; magnétisme résiduel <2A/cm
Dimensions hors-tout (l x p x h)	570 x 230 x 350 mm
Espace entre supports (largeur x hauteur)	155 x 205 mm
Diamètre de la bobine	110 mm Pour un diamètre minimale d'alésage du roulement de 120 mm
Poids total (barreaux inclus)	42 kg
Poids maximum de la pièce à chauffer	Roulement : 120 kg Composant massif : 60 kg
Température maximale de chauffage	environ 400 °C
$m_{20}^*$	97 kg (roulement 23156)
Dimensions du barreau standard:	Pour un alésage intérieur de roulement d'un diamètre minimum de :
56 x 56 x 296 mm	80 mm
28 x 28 x 296 mm	40 mm
14 x 14 x 296 mm	20 mm

\* $m_{20}$  représente le poids (kg) du roulement SRB 231 le plus lourd qui peut être chauffé de 20 à 110 °C en 20 minutes.

### 3. Installation de la prise secteur

Demandez à un électricien qualifié d'installer une prise électrique appropriée. La tension d'alimentation correcte est indiquée au paragraphe 2.2. Les fils doivent être branchés comme suit :

TIH 100M/230V	
Couleur du TIH 100m/230V	Tension du secteur
jaune/vert	à la masse
bleu	neutre
marron	phase

TIH 100M/MV	
Couleur de fil du TIH 100m/MV	Tension du secteur
jaune/vert	à la masse
bleu	phase
marron	phase

Pour passer en version 400 - 460V, connecter 2 des 3 phases du TIH 100M/MV.



#### 4. Préparation pour utilisation

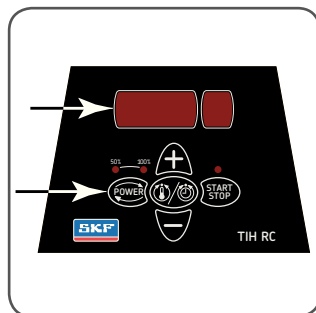
- Placez le TIH 100m à l'horizontale sur une surface stable.
- Branchez la prise électrique au secteur.
- Branchez la télécommande dans le connecteur situé du côté poignée de transport de l'appareil de chauffage.
- Montez le goujon pivotant sur le côté du montant vertical du dispositif pivotant. Voir les illustrations au début de ce manuel. Disposez la rotule du grand barreau sur le goujon pivotant.
- Pour des pièces dont le diamètre intérieur est assez large pour être placé sur la bobine à induction, procédez comme suit :
  - Ouvrez le support de roulement pliant et disposez-le comme indiqué sur les illustrations au début de ce manuel.
  - Posez la pièce à chauffer par-dessus la bobine à induction en vous servant d'un équipement de levage approprié.
  - Pour une meilleure performance, positionnez la pièce à chauffer de telle sorte que la bobine à induction soit au centre du roulement.
  - Positionnez le barreau pivotant de manière à ce qu'il recouvre complètement le haut des deux supports verticaux.
- Pour des pièces à chauffer qui ne peuvent être placées sur la bobine à induction, procédez comme suit :
  - Choisissez le plus grand des trois barreaux qui peut passer par le diamètre interne de la pièce à chauffer.
  - Faites glisser la pièce dans le barreau que vous avez choisi.
  - Les pièces à chauffer lourdes ( = 9 kg) qui doivent être installées sur le barreau supérieur doivent être soutenues jusqu'à ce que le barreau soit correctement positionné sur le montant latéral droit. ATTENTION l'appareil de chauffage peut basculer si la pièce à chauffer n'est pas soutenue.
  - Placez le barreau sur le TIH 100m, en faisant en sorte que la seule face inférieure brillante repose uniformément sur les deux supports verticaux.
- Si vous souhaitez utiliser le mode « TEMP MODE », branchez le capteur de température dans le connecteur situé du côté poignée de transport de l'appareil de chauffage. Placez l'extrémité magnétique du capteur sur la bague intérieure du roulement ou sur la surface la plus interne de la pièce à chauffer.
- Mettez l'appareil TIH 100m sous tension.
- Attendez le test automatique de l'écran et du signal de la télécommande.

## 5. Fonctionnement

### 5.1 Fonction des écrans

- L'écran de la télécommande affiche la durée ou la température de chauffage choisie.
- Les LED (diodes électroluminescentes) de puissance indiquent la puissance choisie.

Affichage	Indication
t	durée en minutes
°C	température en degrés Celsius
°F	température en degrés Fahrenheit



### 5.2 Fonction des boutons

Bouton	Fonction
POWER	Appuyez pour régler la puissance. La puissance sélectionnée est indiquée par une LED lumineuse
MODE	Appuyez sur ce bouton pour passer du mode "TIME MODE" au mode "TEMP MODE" et vice-versa
UP (+)	Appuyez sur ce bouton pour accroître la valeur affichée sur l'écran de la télécommande
DOWN(-)	Appuyez sur ce bouton pour réduire la valeur affichée sur l'écran de la télécommande
START / STOP	Appuyez sur ce bouton pour démarrer ou arrêter le chauffage. La LED du bouton START / STOP est allumée lorsque le chauffage chauffe et clignote pendant la mesure de la température

- Si l'écran de la télécommande affiche « t », appuyez sur MODE pour sélectionner le mode « TEMP MODE ». L'écran de la télécommande affiche °C ou °F en MODE TEMP.
- La température sélectionnée est indiquée sur l'écran de la télécommande. La température par défaut pour chauffer des roulements est de 110 °C. Si vous souhaitez régler sur une température différente, appuyez sur UP (pour l'augmenter) ou DOWN (pour la réduire) pour régler la température par paliers de 1°.
- Il peut être souhaitable de chauffer les roulements à des températures supérieures à 110 °C pour une durée de montage accrue. Consultez les spécifications de roulements de SKF pour déterminer la température maximale admissible par chaque roulement. Assurez-vous que le roulement ne se bloque pas en raison d'une dilatation excessive de la bague intérieure par rapport à la bague extérieure. Voir paragraphe 5.8.
- Si nécessaire, appuyez sur POWER pour sélectionner le niveau de puissance. Utilisez les consignes décrites au paragraphe 5.8 pour déterminer la puissance adaptée.
- Assurez-vous que le capteur de température est monté sur la bague intérieure du roulement.
- Appuyez sur la touche START / STOP pour allumer l'appareil. L'écran de la télécommande affiche la température actuelle de la pièce.
- Pendant le chauffage, on peut faire afficher la température sélectionnée en appuyant sur MODE pendant 1 seconde.
- Lorsque la température sélectionnée a été atteinte, l'appareil démagnétise la pièce automatiquement, s'arrête et produit un signal sonore pendant 10 secondes ou jusqu'à ce que le bouton START / STOP soit enfoncé.
- Appuyez sur la touche START / STOP pour arrêter le signal sonore et le chauffage par induction.
- Enlevez la pièce à l'aide d'équipements de levage appropriés.
- Si la pièce reste sur l'appareil de chauffage, celui-ci redémarre lorsque la température de la pièce baisse de 10 °C. Appuyez sur la touche START / STOP pour arrêter l'appareil et démagnétiser la pièce.
- Le TIH 100m est maintenant prêt à chauffer une autre pièce avec les mêmes valeurs.

- Si l'écran de la télécommande affiche °C ou °F, appuyez sur MODE pour sélectionner le mode durée (« TIME MODE »). L'écran de la télécommande affiche alors « t » en mode durée (« TIME MODE »).
- Appuyez sur UP (pour augmenter) ou sur DOWN (pour baisser) pour régler la durée par intervalles de 0,1 minute.
- Appuyez sur POWER pour sélectionner la puissance désirée. Utilisez les consignes décrites au paragraphe 5.8 pour déterminer la puissance adaptée.
- Appuyez sur la touche START / STOP pour allumer l'appareil. L'écran de la télécommande affiche la durée de chauffage restante.
- Pendant le chauffage, on peut faire afficher pendant quelques secondes la température mesurée par le capteur en appuyant sur le bouton MODE.
- Lorsque la durée sélectionnée a expiré, l'appareil démagnétise la pièce, s'arrête et produit un signal sonore pendant 10 secondes.
- Appuyez sur la touche START / STOP pour arrêter le signal sonore et le chauffage par induction.
- Enlevez la pièce à l'aide d'équipements de levage appropriés.
- Le TIH 100m est maintenant prêt à chauffer une autre pièce avec les mêmes valeurs.

## 5.5 Mesure de la température

Lorsque l'appareil n'est pas en marche la température de la pièce peut être mesurée en appuyant sur MODE et START / STOP en même temps. La LED du bouton START / STOP clignote pendant la mesure de température. Pour annuler la mesure de température appuyez sur la touche START / STOP.

## 5.6 Modification de l'unité de mesure de la température

Appuyer simultanément sur les boutons MODE et UP pour passer d'une unité de mesure à une autre (de °C à °F). Le paramètre « unité de température » est conservé même après mise hors tension de l'appareil.

## 5.7 Démagnétisation

La pièce est automatiquement démagnétisée lorsque le chauffage est terminé. La démagnétisation ne se produira pas en cas de coupure d'électricité ou si l'interrupteur principal est éteint. Pour utiliser le TIH 100m uniquement pour la démagnétisation, sélectionnez le mode "TIME MODE" et fixez la durée à 0,1 minute (6 secondes).

Lors du chauffage de roulements avec un appareil de chauffage par induction, la plus grande partie de la chaleur sera produite au niveau de la bague intérieure du roulement. La chaleur se transfère ensuite progressivement au roulement. Il est donc important de chauffer lentement les roulements qui présentent un jeu interne faible. Le chauffage lent permet au roulement de se dilater uniformément afin de ne pas l'endommager.

La forme, le poids, la taille et les jeux internes sont des caractéristiques importantes quand on parle de la durée nécessaire pour chauffer un roulement. Compte tenu de la grande variété de types de roulements existants, il est difficile de fournir un niveau de puissance spécifique pour chaque type. Nous pouvons néanmoins vous donner les recommandations suivantes :

- Pour les roulements sensibles (incluant les roulements à jeu interne C1 ou C2) ou pour les roulements équipés d'une cage massive laiton, choisir de préférence le mode 50% de puissance.
- Si vous utilisez le petit barreau, ne dépassez jamais 50% de puissance.

## 6. Dispositifs de sécurité

Le TIH 100m est équipé des dispositifs de sécurité suivants :

- Protection automatique contre la surchauffe.
- Contrôle automatique de courant.
- Disjoncteur de surintensité.
- En mode « TEMP MODE », l'appareil s'éteint automatiquement si le capteur de température n'enregistre pas une augmentation de température de 1 °C toutes les 15 secondes (0,25 minute). Pour faire passer cet intervalle à 30 secondes (0,50 minute), appuyez simultanément sur les boutons MODE et DOWN.

## 7. Dépannage

Une erreur de système sera indiquée par un signal sonore et l'un des codes d'erreur suivants s'affichera automatiquement sur l'écran de la télécommande :

Affichage	Erreur	Action
E03 E	Surchauffe de la bobine	Attendre que la bobine à induction refroidisse. Eteindre puis rallumer l'appareil de chauffage. l'appareil est-il adapté à un chauffage en continu?
E05 E	La température n'augmente pas d'au moins 1 °C toutes les 15 secondes (ou 1°C toutes les 30 secondes)	Vérifier le branchement du capteur de température sur la pièce. S'il est bien branché, sélectionner l'intervalle de 30 secondes comme indiqué au paragraphe 6 ou faire fonctionner l'appareil en mode "TIME MODE"
E06 E	Le capteur de température est débranché (ou défectueux) ou la baisse de température est excessive	Vérifier le capteur de température
E10 E	Problème de communication électronique	Eteindre puis rallumer l'appareil de chauffage. Si le problème persiste, prenez contact avec votre interlocuteur habituel SKF pour envisager une réparation
E11 E	Problème de communication électronique	Eteindre puis rallumer l'appareil de chauffage. Si le problème persiste, prenez contact avec votre interlocuteur habituel SKF pour envisager une réparation
E12E	Problème de communication électronique	Eteindre puis rallumer l'appareil de chauffage. Si le problème persiste, prenez contact avec votre interlocuteur habituel SKF pour envisager une réparation

## 8. Pièces de rechange

Désignation	Description
TIH 100-P230V	Carte de puissance 230V - 220 - 240V, 50 - 60 Hz
TIH 100-PMV	Carte de puissance 400 - 460V, 50 - 60 Hz
TIH 100-Y8	Barreau 56 x 56 x 296 mm
TIH 100-Y6	Barreau 40 x 40 x 296 mm
TIH 100-Y4	Barreau 28 x 28 x 296 mm
TIH 100-Y3	Barreau 20 x 20 x 296 mm
TIH 100-Y2	Barreau 14 x 14 x 296 mm
TIH CP	Carte de contrôle
TIH RC	Télécommande
TIH CB16A	Disjoncteur 16 A pour TIH 100m/230V
TIH CB10A	Disjoncteur 10 A pour TIH 100m/MV
TIH P20	Capteur de température, type K, câble et fiche inclus

CE Konformitätserklärung .....	31
Sicherheitshinweise .....	32
1. Einführung .....	33
1.1 Zweckbestimmung .....	33
1.2 Arbeitsweise .....	33
1.3 Herausragende Merkmale.....	34
2. Beschreibung .....	34
2.1 Bestandteile.....	34
2.2 Technische Daten.....	35
3. Netzanschluss .....	36
4. Aufstellung und Inbetriebnahme.....	37
5. Bedienung.....	38
5.1 Bedienfeld, Anzeigefunktionen.....	38
5.2 Bedienfeld, Tastenfunktionen.....	38
5.3 Temperatur-Automatik .....	39
5.4 Zeit-Automatik .....	40
5.5 Thermometermodus.....	40
5.6 Ändern der Temperatureinheit .....	40
5.7 Entmagnetisierung.....	40
5.8 Leistungsdrosselung.....	41
6. Sicherheitseinrichtungen .....	41
7. Fehlersuche .....	42
8. Ersatzteil-Liste.....	43

Übersetzung der Original-Bedienungsanleitung



## CE Konformitätserklärung

Die,  
SKF Maintenance Products  
Kelvinbaan 16  
3439 MT Nieuwegein  
Niederlande

erklärt hiermit, dass der:

### SKF Induktions-Anwärmgerät TIH 100m

in Übereinstimmung mit folgenden EU Richtlinien und Normen konstruiert und hergestellt wurde: EUROPÄISCHEN NIEDERSpannungsRICHTLINIE 2006/95/EC, EMC DIRECTIVE 2004/108/EC gemäß harmonisierter Norm für EN61000-6-3:2007 /A1:2011  
EN61000-6-2:2005  
EN61000-4-2  
EN61000-4-3  
EN61000-4-4  
EN61000-4-5  
EN61000-4-6  
EN61000-4-8  
EN61000-4-11

EUROPEAN ROHS DIRECTIVE 2011/65/EU  
konstruiert und hergestellt wurde.

Nieuwegein, in den Niederlanden,  
November 2014



Sébastien David  
Leiter Produktentwicklung und Qualität



### Sicherheitshinweise

- Da das Induktions-Anwärmgerät TIH 100m ein Magnetfeld erzeugt, sollten Personen mit einem Herzschrittmacher einen Mindestabstand von 5 m zum TIH 100m einhalten, wenn dieses in Betrieb ist. Auch andere empfindliche elektronische Geräte, z. B. Armbanduhren können durch dieses Magnetfeld beeinflusst werden.
- Immer die Bedienungsanleitung beachten.
- Sicherstellen, dass Geräte- und Netzspannung übereinstimmen.
- Bei größeren Werkstücken kann es vorkommen, dass sich ein Potentialunterschied zwischen Werkstück und Joch einstellt, der zu Spannungsüberschlägen mit Lichtbogenbildung führen kann. Dies stellt aber keine Gefahr für Personen oder das Werkstück dar. Das TIH 100m darf jedoch niemals in Bereichen verwendet werden, in denen Explosionsgefahr besteht.
- Das TIH 100m darf nicht hoher Luftfeuchtigkeit oder direktem Kontakt mit Wasser ausgesetzt werden.
- Anwärmgerät nie einschalten oder betreiben, ohne dass ein Joch aufliegt.
- Bedienteil und Leitung niemals in das Magnetfeld unter dem Joch bringen.
- Anwärmgerät niemals verändern.
- Beim Heben schwerer Werkstücke geeignetes Handhabungsgerät verwenden.
- Werkstücke nur mit geeigneter Schutzausrüstung handhaben. Angewärmte Werkstücke mit den mitgelieferten Wärmeschutzhandschuhen handhaben.
- Während des Anwärmvorgangs muss ein Sicherheitsabstand von 50 cm zum Werkstück, der Heizungsspule und dem Kern eingehalten werden.



## 1. Einführung

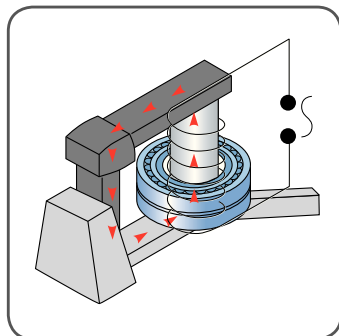
Das SKF TIH 100m Induktions-Anwärmgerät wird zum Erwärmen von Wälzlagern eingesetzt die mit festem Sitz auf der Welle montiert werden müssen. Der im Lager induzierte Strom führt zur Erwärmung und Aufweitung der Lagerbohrung und ermöglicht somit ein einfaches Aufschieben auf die Welle. Ein Temperaturunterschied zwischen Lager und Welle von ca. 90 °C ist dafür ausreichend. Bei einer Umgebungstemperatur von 20 °C muss das Lager somit auf eine Temperatur von 110 °C erwärmt werden.

### 1.1 Zweckbestimmung

Das Induktions-Anwärmgerät TIH 100m ist zum Anwärmen von Wälzlagern ausgelegt. Es können jedoch auch andere ringförmige Bauteile wie, Buchsen, Schrumpfringe, Riemenscheiben und Zahnräder erwärmt werden, sofern sie aus Metall sind und einen geschlossenen Kreis bilden. Mit dem TIH 100m können alle Lager angewärmt werden, die bei aufgelegtem Joch über die Induktionsspule und zwischen die vertikalen Halterungen passen. Kleinere Lager, die nicht über die Induktionsspule passen, können zum Erwärmen auf eines der drei mitgelieferten Standardjochs gesetzt werden. Siehe auch Abbildungen am Anfang dieser Bedienungsanleitung.

### 1.2 Arbeitsweise

Ein Induktions-Anwärmgerät kann mit einem Transformator verglichen werden. Das zu erwärmende Wälzlager bildet dabei die Sekundärspule mit einer kurzgeschlossenen Windung, durch die bei niedriger Spannung ein Wechselstrom hoher Stromstärke fließt. Dadurch erwärmt sich das Lager, Anwärmgerät und Joch bleiben nahezu auf Umgebungstemperatur.



- **Abnehmbares Bedienteil**  
Das Bedienfeld des TIH 100m ist als Fernbedienung ausgeführt und vom Gerät abnehmbar. Das vereinfacht die Bedienung und ermöglicht das Arbeiten mit Abstand zum Werkstück während des Anwärmens.
- **Induktionsspule**  
Die Induktionsspule befindet sich außerhalb des Gehäuses, direkt im Zentrum des anzuwärmenden Werkstücks. Diese Anordnung führt zu höherer Effizienz bei geringerem Stromverbrauch und schnellerem Erwärmen, wodurch die Kosten für das Erwärmen der Lager reduziert werden.
- **Ausschwenkbare Auflageschenkel**  
Um das Anwärmen von Werkstücken mit größerem Durchmesser zu ermöglichen, ist das TIH 100m mit ausschwenkbaren Auflageschenkeln ausgestattet. Siehe auch Abbildungen zu Beginn dieser Bedienungsanleitung.
- **Schwenkarm**  
Beim TIH 100m wird das Joch mit dem größten Querschnitt (56x56x296 mm) als Schwenkarm angebracht, um die Bestückung zu vereinfachen.
- **Jochaufbewahrung**  
Alle drei Joche können im Innern des Anwärmgeräts aufbewahrt werden. Die mitgelieferten Joche werden in den integrierten Jochbehältern aufbewahrt, die sich hinter den ausschwenkbaren Auflageschenkeln befinden. Die beiden kleineren Joche werden im Behälter auf der Seite des Netzschalters aufbewahrt, das große Joch findet im Behälter auf der Seite der Netzleitung seinen Platz. Siehe auch Abbildungen zu Beginn dieser Bedienungsanleitung.

## 2. Beschreibung

Die Anwärmphase wird elektronisch geregelt, und zwar mit ZEITAUTOMATIK, mit der man die Anwärmzeit vorwählt, oder mit TEMPERATURAUTOMATIK, mit der die gewünschte Temperatur vorgegeben wird. Das Anwärmgerät kann auch auf 50% Leistung gedrosselt werden. Diese Umschaltmöglichkeit wird dann genutzt, wenn kleine Joche verwendet werden oder die Gefahr besteht, dass empfindliche Werkstücke zu schnell erwärmt werden, z. B. Lager mit C1- oder C2-Luft.

### 2.1 Bestandteile

Das Induktions-Anwärmgerät TIH 100m besteht im wesentlichen aus einem U-förmigen Eisenkern mit einer großen Induktionsspule um einen der Schenkel. Das Bedienfeld ist als Fernbedienung ausgeführt und vom Gerät abnehmbar. Die Regelung des Induktions-Anwärmgeräts erfolgt vollelektronisch. Das Joch ist abnehm- und austauschbar, serienmäßig gehören drei Joche zum Lieferumfang. Werkstücke mit großem Innendurchmesser werden auf das Gerät über die Induktionsspule gelegt, Werkstücke mit kleinerem Durchmesser können auf dem Joch angewärmt werden. Die Werkstücktemperatur wird mit einem magnetischen Temperaturfühler überwacht. Wärmeschutzhandschuhe zur Handhabung angewärmter Werkstücke gehören zum Lieferumfang.

TIH 100m	
Netzspannung	TIH 100M/230V : 230V / 50 - 60Hz TIH 100M/MV : 400 - 460V / 50 - 60Hz
Spannungstoleranz	± 10%
Empfohlene Vorsicherung	16 A Sicherung bei 230 V 10 A Sicherung 400 - 460 V
Maximale Leistungsaufnahme	3,6 kVA bei 230 V 4,0 - 4,6 kVA bei 400 - 460 V
Temperaturautomatik	0 - 250 °C in Schritten von 1°
Magnetischer Temperaturfühler	Thermoelement, Typ K
Maximaltemperatur (Fühler)	250 °C
Zeitautomatik	0 - 60 Minuten, in 0,1-Minuten-Schritten
Leistungsrosselung	Zweistufig, 50 oder 100%
Entmagnetisierung	automatisch; Restmagnetismus <2A/cm
Abmessungen (B x T x H)	570 x 230 x 350 mm
Bereich zwischen Halterungen (Breite x Höhe)	155 x 205 mm
Spulendurchmesser	110 mm Min. Bohrungsdurchmesser des Werkstücks: 120 mm 42 kg
Maximales Gewicht	Wälzlager: 120 kg Massiv-Werkstücke: 60 kg
Maximaltemperatur	ca. 400 °C
m <sub>20</sub> *	97 kg (Pendelrollenlager 23156)
Standardjoche: 56 x 56 x 296 mm	Für Lager mit einem Bohrungsdurchmesser ab: 80 mm
28 x 28 x 296 mm (1.1 x 1.1 x 11.7 in)	40 mm
14 x 14 x 296 mm (0.6 x 0.6 x 11.7 in)	20 mm

\*m<sub>20</sub> bezeichnet die Masse eines Pendelrollenlagers der Reihe 231, das mit dem Anwärmgerät in 20 Minuten von 20 auf 110 °C erwärmt werden kann.

### 3. Netzanschluss

Der Anschluss an das Stromnetz hat durch eine qualifizierte Elektrofachkraft zu erfolgen. Angaben über die entsprechende Versorgungsspannung können dem Typenschild am Anwärmergerät entnommen werden. Die einzelnen Leiter der Anschlussleitung sind wie folgt anzuschließen:

TIH 100M/230V	
Leiterfarbe am TIH 100m/230V	Anschließen an
grün/gelb	Schutzleiter
blau	Neutralleiter
braun	Außenleiter

TIH 100M/MV	
Leiterfarbe am TIH 100m/MV	Anschließen an
grün/gelb	Schutzleiter
blau	Außenleiter
braun	Außenleiter

Schließen Sie das TIH 100m/MV nur an zwei der drei Phasen an, um 400 bis 460 Volt zu erhalten.

#### 4. Aufstellung und Inbetriebnahme

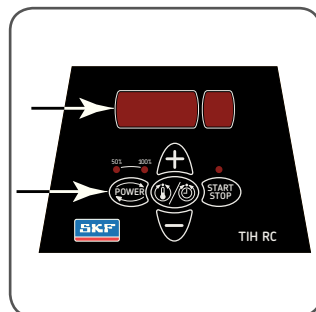
- Das Gerät auf eine waagerechte und stabile Unterlage stellen.
- Den Netzstecker an eine geeignete Stromquelle anschließen.
- Das Bedienteil an das Gerät anschließen (Buchse auf der Rückseite, links über dem Tragegriff).
- Den Schwenkarm montieren. Siehe auch Abbildungen zu Beginn dieser Bedienungsanleitung.
- Bei Werkstücken, die auf die Induktionsspule gesetzt werden können, wie folgt vorgehen:
  - Die ausschwenkbaren Auflageschenkel öffnen und wie auf den Abbildungen zu Beginn dieser Bedienungsanleitung positionieren.
  - Das Werkstück mit den entsprechenden Handhabungswerkzeugen so auf das Gerät auflegen, dass sich die Induktionsspule innerhalb der Werkstückbohrung befindet.
  - Für optimale Leistung das Werkstück zentrieren, so dass sich die Induktionsspule genau im Zentrum der Bohrung befindet.
  - Den Schwenkarm schließen, bzw. das Joch auf die Schenkel auflegen.
- Bei Werkstücken, die nicht über die Induktionsspule passen, wie folgt vorgehen:
  - Das Joch mit dem größten Querschnitt wählen, das noch durch die Bohrung des Werkstücks passt.
  - Das Joch in die Bohrung des Werkstücks einführen.
  - Werkstücke mit einem Gewicht von mehr als 9 kg, die auf dem Schwenkarm angewärmt werden sollen, dürfen erst nach dem Schließen des Schwenkarms mit dem ganzen Gewicht auf diesem aufliegen. Das Anwärmgerät könnte sonst umkippen.
  - Das Joch mit dem Werkstück so auf dem TIH 100m platzieren, dass es mit der metallischen Unterseite gleichmäßig auf beiden vertikalen Auflagehalterungen aufliegt.
- Bei Verwendung der TEMPERATUR-AUTOMATIK, den Temperaturfühler an das Gerät anschließen (Buchse auf der Rückseite, rechts über dem Tragegriff). Den magnetischen Temperaturfühler oben auf dem Innenring des Lagers oder nahe der Bohrung des Werkstücks ansetzen.
- Das Gerät einschalten.
- Den Selbsttest auf der Anzeige des Bedienfelds bis zum Signalton beobachten.

## 5. Bedienung

### 5.1 Bedienfeld, Anzeigefunktionen

- "Das Fernbedienungsdisplay zeigt außerhalb des Anwärmbetriebs die eingestellte Anwärmzeit oder Anwärmtemperatur an.
- "Die LEDs oberhalb der POWER-TASTE zeigen die gewählte Leistungseinstellung an.

Anzeige	Bedeutung
t	Zeit in Minuten
°C	Temperatur in °C
°F	Temperatur in °F



### 5.2 Bedienfeld, Tastenfunktionen

Taste	Funktion
POWER	Leistungsrosselung, Taste zur Einstellung der Leistung. Die gewählte Leistung wird durch LEDs oberhalb der Taste angezeigt
MODE (mittlere Taste)	Wechsel zwischen der ZEIT-AUTOMATIK (TIME MODE) und der TEMPERATUR-AUTOMATIK (TEMP MODE)
UP (+)	Wert erhöhen
DOWN(-)	Wert verringern
START / STOP	Ein- und Ausschalten des Geräts. Die LED oberhalb der START / STOP Taste leuchtet während des Anwärmvorgangs und blinkt während der Temperaturmessung



- Zeigt die Anzeige des Bedienfelds "t" an, auf MODE drücken, um die TEMPERATUR-AUTOMATIK zu wählen. Die Anzeige zeigt °C oder °F bei gewählter TEMPERATUR-AUTOMATIK (TEMP MODE).
- Die Soll-Temperatur wird angezeigt. Die Voreinstellung für Lager ist 110 °C. Wird eine andere Soll-Temperatur benötigt, kann die gewünschte Temperatur mit den Tasten UP und DOWN in 1 °C Schritten eingestellt werden.
- Bei länger andauernden Montagevorgängen können eventuell Temperaturen von über 110 °C erforderlich werden. Bei Wälzlagern dürfen dabei keinesfalls die höchstzulässigen Temperaturen überschritten werden, die von den Lagerringen, den Dichtungen, dem Käfig und/oder dem Schmierstoff abhängen können. Die höchstzulässigen Temperaturen für SKF Wälzlager können u. a. dem SKF Hauptkatalog entnommen werden. In jedem Fall ist jedoch darauf zu achten, dass infolge ungleicher Ausdehnung von Innenring und Außenring die Wälzkörper nicht zwischen den Ringen verspannt werden. Siehe auch Abschnitt 5.8.
- Zur Auswahl der Leistungsstufe ggf. die Taste POWER drücken. Für die Bestimmung der korrekten Einstellung auch die Richtlinien in Abschnitt 5.8. beachten
- Der magnetische Temperaturfühler muss bei Wälzlagern am Innenring, bei anderen Werkstücken nahe der Bohrung angebracht werden.
- Um den Anwärmvorgang zu starten, die Taste START / STOP drücken. Auf der Anzeige des Bedienfelds wird die Ist-Temperatur des Werkstücks angezeigt.
- Während des Anwärmvorgangs kann die Soll-Temperatur für 1 Sekunde durch Drücken der Taste MODE angezeigt werden.
- Sobald die Soll-Temperatur erreicht wird, entmagnetisiert das Anwärmgerät und erzeugt für 10 Sekunden, oder bis zur Betätigung der Taste START / STOP, ein akustisches Signal.
- Der Anwärmvorgang kann jederzeit mit der Taste START / STOP abgebrochen werden.
- Das Werkstück mit geeignetem Handhabungsgerät vom Anwärmgerät abnehmen.
- Verbleibt das Werkstück auf dem Gerät, wird es, sobald die Temperatur des Werkstücks um 10 °C fällt, erneut angewärmt. Um den Anwärmvorgang abzubrechen, die Taste START / STOP drücken.
- Das TIH 100m ist nun zum Anwärmen anderer Werkstücke mit den gleichen Einstellungen bereit.

- Zeigt die Anzeige des Bedienfelds °C oder °F an, auf MODE drücken, um die ZEIT-AUTOMATIK (TIME MODE) auszuwählen. Die Anzeige zeigt "t" bei gewählter ZEIT-AUTOMATIK (TIME MODE).
- Die gewünschte Anwärmzeit kann mit den Tasten UP und DOWN in Schritten von 0,1 Minuten eingestellt werden.
- Zur Wahl der Leistungsstufe ggf. die Taste START / STOP drücken. Für die Bestimmung der korrekten Einstellung auch die Richtlinien in Abschnitt 5.8. beachten
- Um den Anwärmvorgang zu starten, die Taste START / STOP drücken. In der Anzeige des Bedienfelds wird die noch verbleibende Anwärmzeit angezeigt.
- Während des Anwärmvorgangs kann die gemessene Werkstück-Temperatur für 1 Sekunde durch Drücken der Taste MODE angezeigt werden.
- Nach Ablauf der Zeit, entmagnetisiert das Anwärmgerät das Werkstück und erzeugt für 10 Sekunden, oder bis zur Betätigung der Taste START / STOP, ein akustisches Signal.
- Der Anwärmvorgang kann jederzeit mit der Taste START / STOP abgebrochen werden.
- Das Werkstück mit geeignetem Handhabungsgerät vom Anwärmgerät abnehmen.
- Das TIH 100m ist nun zum Anwärmen anderer Werkstücke mit den gleichen Einstellungen bereit.

## 5.5 Thermometermodus

Der Thermometermodus kann durch gleichzeitiges Drücken der Tasten MODE und START / STOP aktiviert werden, vorausgesetzt, das Gerät ist inaktiv. Im Thermometermodus zeigt die Anzeige des Bedienfelds fortlaufend die vom Temperaturfühler gemessene Temperatur an. Dabei blinkt die LED der START / STOP-Taste. Der Thermometermodus kann jederzeit mit der Taste START / STOP abgebrochen werden.

## 5.6 Ändern der Temperatureinheit

Gleichzeitig die Tasten MODE und UP drücken, um zwischen °C und °F umzuschalten. Die eingestellte Temperatureinheit bleibt gespeichert, auch wenn das Gerät vom Netz getrennt wird.

## 5.7 Entmagnetisierung

Am Ende des Anwärmvorgangs wird das Werkstück automatisch entmagnetisiert. Eine Entmagnetisierung erfolgt jedoch nicht, wenn die Stromzufuhr unterbrochen oder der Hauptschalter ausgeschaltet wird. Um das TIH 100m nur zur Entmagnetisierung zu verwenden, die ZEIT-AUTOMATIK (TIME MODE) wählen und die Zeit auf 0,1 Minute (6 Sekunden) einstellen.

Beim Anwärmen von Wälzlagern mit einem Induktions-Anwärmgerät erwärmt sich primär der Innenring. Die Wärme breitet sich dann über die Wälzkörper in den Außenring aus. Daher ist es notwendig, Lager mit reduzierter Lagerluft langsam, mit gedrosselter Leistung anzuwärmen. Dadurch wird sichergestellt, dass sich die Teile des Lagers gleichmäßig ausdehnen und Schäden am Lager vermieden werden. Die erforderliche Leistung zum Erwärmen eines Wälzlagers hängt von Faktoren wie Bauart, Größe, Gewicht und Lagerluft ab. Auf Grund der Vielzahl an unterschiedlichen Lagerbauarten, Reihen und Größen können keine Angaben zu einzelnen Lagern gemacht werden. Stattdessen werden folgende Empfehlungen zur Einstellung der Leistung gegeben:

- Empfindliche Lager (einschl. Lager mit kleiner Lagerluft C1 oder C2) oder Lager mit Messingkäfigen sollten mit auf 50% gedrosselter Leistung angewärmt werden.
- Beim Erwärmen von Werkstücken mit einem kleinen Joch nie eine Leistung von 50% überschreiten.

## 6. Sicherheitseinrichtungen

Das TIH 100m ist mit den folgenden Schutzeinrichtungen ausgerüstet:

- Schutzeinrichtung gegen Übertemperatur
- Automatische Stromregelung
- Schutzschalter gegen Überstrom
- Beim Betrieb mit TEMPERATUR-AUTOMATIK (TEMP MODE) wird der Erwärmvorgang abgebrochen, wenn nicht innerhalb von 15 Sekunden ein Temperaturanstieg von 1 °C registriert wird. Um dieses Intervall auf 30 Sekunden zu erhöhen, gleichzeitig die Tasten MODE und DOWN drücken.

## 7. Fehlersuche

Ein Systemfehler wird durch ein akustisches Signal und einen der folgenden Fehlercodes auf der Anzeige des Bedienteils angezeigt:

Anzeige	Fehler	Maßnahme
E03 E	Induktionsspule überhitzt	Warten, bis die Induktionsspule abkühlt. Das Gerät aus und wieder einschalten
E05 E	Temperaturanstieg von weniger als 1 °C alle 15 Sekunden (oder 1°C alle 30 Sekunden)	Den Anschluss des Temperaturfühlers überprüfen. Ist der Temperaturfühler richtig angeschlossen und funktionsbereit, das 30-Sekunden-Intervall wählen wie in Abschnitt 6 beschrieben, oder Gerät in TIME MODE (ZEIT-AUTOMATIK) betreiben
E06 E	Der Temperaturfühler ist nicht angeschlossen (oder defekt) oder übermäßiger Temperaturabfall	Den Temperaturfühler überprüfen
E10 E	Kommunikationsproblem in der Elektronik	Das Gerät aus und wieder einschalten. Bleibt das Problem bestehen, muss das Gerät von SKF überprüft werden
E11 E	Kommunikationsproblem in der Elektronik	Das Gerät aus und wieder einschalten. Bleibt das Problem bestehen, muss das Gerät von SKF überprüft werden
E12E	Kommunikationsproblem in der Elektronik	Das Gerät aus und wieder einschalten. Bleibt das Problem bestehen, muss das Gerät von SKF überprüft werden

## 8. Ersatzteil-Liste

Bezeichnung	Technische Beschreibung
TIH 100-P230V	Leistungsplatine 230V bzw. 220 - 240V, 50 - 60 Hz
TIH 100-PMV	Leistungsplatine 400 - 460V, 50 - 60 Hz
TIH 100-Y8	Joch 56 x 56 x 296 mm
TIH 100-Y6	Joch 40 x 40 x 296 mm
TIH 100-Y4	Joch 28 x 28 x 296 mm
TIH 100-Y3	Joch 20 x 20 x 296 mm
TIH 100-Y2	Joch 14 x 14 x 296 mm
TIH CP	Steuerplatine
TIH RC	Bedienteil
TIH CB16A	Hauptschalter 16A für TIH 100m/230V
TIH CB10A	Hauptschalter 10A für TIH 100m/MV
TIH P20	Temperaturfühler Typ K, einschließlich Kabel und Stecker

Declaración de conformidad CE .....	45
Recomendaciones de seguridad.....	46
1. Introducción.....	47
1.1 Uso previsto.....	47
1.2 Principio de funcionamiento .....	47
1.3 Características distintivas .....	48
2. Descripción .....	48
2.1 Componentes .....	48
2.2 Datos técnicos.....	49
3. Instalación del enchufe de red .....	50
4. Preparación para su uso.....	51
5. Funcionamiento .....	52
5.1 Función de las pantallas.....	52
5.2 Función de los botones.....	52
5.3 Temp mode (Modo de temperatura).....	53
5.4 Time mode (Modo de tiempo).....	54
5.5 Medición de la temperatura.....	54
5.6 Cambio de unidad de temperatura.....	54
5.7 Desmagnetización .....	54
5.8 Selección del nivel de potencia.....	55
6. Características de seguridad.....	55
7. Resolución de problemas.....	56
8. Piezas de repuesto .....	57

Traducción de las instrucciones originales

## Declaración de conformidad CE

SKF Maintenance Products  
Kelvinbaan 16  
3439 MT Nieuwegein  
Países Bajos

declara que el siguiente producto:

### Calentador de inducción SKF TIH 100M

ha sido diseñado y fabricado de acuerdo con  
LA DIRECTIVA EUROPEA 2006/95/EC DE MATERIAL DE BAJA TENSIÓN  
LA DIRECTIVA DE COMPATIBILIDAD ELECTROMAGNÉTICA (EMC) 2004/108/EC,  
y tal y como se indica en la normativa armonizada para:

EN61000-6-3:2007 /A1:2011

EN61000-6-2:2005

EN61000-4-2

EN61000-4-3

EN61000-4-4

EN61000-4-5

EN61000-4-6

EN61000-4-8

EN61000-4-11

LA DIRECTIVA EUROPEA ROHS (sobre restricciones en la utilización  
de determinadas sustancias peligrosas) 2011/65/UE

Nieuwegein, Países Bajos,  
Noviembre de 2014



Sébastien David  
Jefe de desarrollo de producto y calidad



### Рекомендации de seguridad

- Dado que el TIH 100m genera un campo magnético, durante su funcionamiento las personas que lleven marcapasos no deberán acercarse a menos de 5 m. Los equipos electrónicos, como los relojes de pulsera, también pueden resultar afectados.
- Siga, en todo momento, las instrucciones de uso.
- Asegúrese de que la tensión sea la correcta.
- Pueden producirse arcos eléctricos cuando exista una diferencia de potencia entre el TIH 100m y la pieza a calentar. Esto no es peligroso para los seres humanos y no dañará ni el TIH 100m ni la pieza. No obstante, el TIH 100m no debe utilizarse nunca en lugares donde exista riesgo de explosión.
- El TIH 100m no debe encenderse en entornos muy húmedos ni entrar en contacto directo con agua.
- No utilice nunca el TIH 100m sin que el yugo esté en su posición.
- No utilice nunca el TIH 100m con el cable del control remoto entre los soportes verticales del yugo.
- No modifique el TIH 100m.
- Utilice equipos de manipulación adecuados para levantar las piezas de trabajo pesadas.
- Evite el contacto con piezas de trabajo calientes. Póngase los guantes termorresistentes que se le han suministrado para manipularlas.
- Durante el proceso de calentamiento manténgase a una distancia de seguridad de 50 cm de la pieza de trabajo, la bobina del calentador o el núcleo.





## 1. Introducción

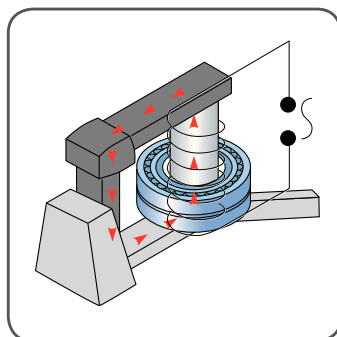
El calentador de inducción SKF TIH 100m ha sido diseñado para calentar rodamientos que se montan sobre un eje con ajuste de interferencia. El calor provoca la dilatación del rodamiento, lo que elimina la necesidad de utilizar la fuerza para su instalación. Normalmente, para que la instalación sea posible, basta con una diferencia de temperatura de 90 °C entre el rodamiento y el eje. Es decir, a una temperatura ambiente de 20 °C, el rodamiento deberá calentarse hasta los 110 °C.

### 1.1 Uso previsto

La función del TIH 100m es la de calentar rodamientos. No obstante, también puede valer para calentar otras piezas de trabajo metálicas que formen un circuito cerrado. Algunos ejemplos son casquillos, zunchos, poleas y engranajes. Todos los rodamientos que se puedan poner alrededor de la bobina de inducción y entre los soportes verticales (con el yugo superior en su posición), se podrán calentar con el TIH 100m. Además, los rodamientos de menor tamaño se pueden colocar alrededor de cualquiera de los tres yugos estándar. Consulte las imágenes que aparecen al principio de este manual para ver ejemplos.

### 1.2 Principio de funcionamiento

El principio de funcionamiento del TIH 100m puede compararse al de un transformador. La corriente eléctrica de baja intensidad y alta tensión que fluye en el devanado de la bobina de inducción del TIH 100 genera una corriente de alta intensidad y baja tensión en la pieza a calentar. Puesto que ésta última presenta las características eléctricas de una bobina con un único devanado en cortocircuito, la corriente de gran intensidad genera calor en el interior de la pieza mientras que todos los componentes del calentador se mantienen fríos.



### 1.3 Características distintivas

- **Panel de control remoto**  
El calentador TIH 100m se suministra con un panel de control remoto que puede separarse del calentador para facilitar su manejo y contribuir a reducir el riesgo de contacto con el rodamiento caliente durante la utilización.
- **Bobina de inducción**  
La pieza se coloca alrededor de la bobina de inducción para proceder a su calentamiento. Este diseño mejora la eficacia, generando un menor consumo de energía y un caldeoamiento más rápido, lo que reduce el coste de calentamiento de cada rodamiento.
- **Brazos de soporte plegables**  
Para sostener rodamientos de gran tamaño situados alrededor de la bobina de inducción, el calentador de inducción TIH 100m está equipado con unos brazos plegables. Consulte las imágenes al principio de este manual.
- **Brazo basculante**  
Para facilitar la manipulación del yugo al colocar el rodamiento alrededor de la bobina de inducción o alrededor del yugo superior, el TIH 100m está equipado con un brazo basculante para el yugo de mayor tamaño.
- **Espacio de almacenamiento para yugos**  
Los tres yugos pueden almacenarse en el interior del calentador. Los dos lugares de almacenamiento para los yugos están situados detrás de los brazos plegables. Los yugos pequeño y mediano se almacenan juntos en uno de los huecos. El yugo de mayor tamaño se almacena solo en el otro espacio. Consulte las imágenes al principio de este manual.

## 2. Descripción

El funcionamiento del calentador se controla mediante el sistema electrónico interno, para el que existen dos modos. El operario puede seleccionar la temperatura a la que desea calentar el rodamiento en TEMP MODE (MODULO DE TEMPERATURA) o ajustar el tiempo de calentamiento en TIME MODE (MODULO DE TIEMPO). El nivel de potencia se puede ajustar al 100% ó 50%, para piezas delicadas que necesitan calentarse más lentamente (por ejemplo, rodamientos con juego C1 ó C2).

### 2.1 Componentes

El calentador de inducción TIH 100m contiene un núcleo de hierro en forma de U con una bobina de inducción alrededor de uno de los soportes verticales. Además, se suministra con un panel de control remoto desmontable. El sistema electrónico de control remoto y la electrónica interna controlan el funcionamiento del calentador. Un yugo extraíble situado en la parte superior de los soportes verticales permite colocar la pieza de trabajo en el calentador. El mayor de los tres yugos puede girar alrededor de su poste vertical. Para piezas de menor tamaño, se suministran también dos yugos más pequeños. Con el calentador, se incluye una sonda de temperatura, así como guantes termorresistentes.

TIH 100m	
Voltaje	TIH 100M/230V : 230V / 50 - 60Hz TIH 100M/MV : 400 - 460V / 50 - 60Hz
Tolerancia de voltaje	±10%
Protección de línea recomendada	16 A para 230 V fusible de 10 A para 400 - 460 V
Consumo de energía (máximo)	3,6 kVA para 230 V 4,0 - 4,6 kVA para 400 - 460 V
Control de temperatura	0 - 250 °C; en intervalos de 1°
Tipo de sonda	Termopar, de tipo K
Temperatura máxima de la sonda	250 °C
Modo de tiempo	0 - 60 minutos; en intervalos de 0,1 minutos
Rango de potencia	100% - 50%
Desmagnetización	automática; magnetismo residual <2A/cm
Dimensiones totales (an. x fo. x al.)	570 x 230 x 350 mm
Área de trabajo (ancho x alto)	155 x 205 mm
Diámetro de la bobina	110 mm Para un diámetro interior mínimo del rodamiento de 120 mm
Peso (con yugos)	42 kg
Peso máximo de la pieza de trabajo	Rodamiento: 120 kg Componente sólido: 60 kg
Temperatura máxima de calentamiento	aprox. 400 °C
Rendimiento SKF $m_{20}$ *	97 kg (rodamiento 23156)
Dimensiones estándar del yugo:	Para un diámetro interior mínimo del rodamiento de:
56 x 56 x 296 mm	80 mm
28 x 28 x 296 mm	40 mm
14 x 14 x 296 mm	20 mm

\* $m_{20}$  representa el peso (kg) del rodamiento SRB 231 más pesado que se puede calentar de 20 a 110 °C en 20 minutos.

### 3. Instalación del enchufe de red

Un electricista cualificado deberá instalar el enchufe correcto. El voltaje del suministro de corriente recomendado figura en la sección 2.2. Los cables deben conectarse del siguiente modo:

TIH 100M/230V	
Color de TIH 100m/230 V	Terminal de la red eléctrica
amarillo / verde	toma de tierra
azul	neutro
marrón	fase

TIH 100M/MV	
Color del cable del TIH 100m/MV	Terminal de la red eléctrica
amarillo / verde	toma de tierra
azul	fase
marrón	fase

Conecte el TIH 100M/MV sólo a dos de las tres fases para alcanzar los 400 - 460 V.

#### 4. Preparación para su uso

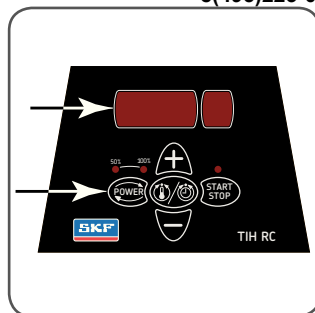
- Sitúe el TIH 100m en posición horizontal sobre una superficie estable.
- Conecte el enchufe a una toma de red eléctrica adecuada.
- Enchufe el control remoto al conector que se encuentra en el lateral con el asa para transportar el calentador.
- Monte el espárrago giratorio en el lateral del poste vertical del conjunto giratorio. Consulte las imágenes que aparecen al principio de este manual. Coloque el soporte giratorio del yugo de mayor tamaño sobre el espárrago giratorio.
- Si las piezas de trabajo tienen un diámetro interior lo suficientemente ancho como para introducirlo alrededor de la bobina de inducción, siga estos pasos:
  - Abra el brazo plegable y coloque los rodamientos como se muestra en las imágenes que aparecen al principio de este manual.
  - Coloque la pieza sobre la bobina de inducción con ayuda de un equipo de elevación apropiado.
  - Para obtener los mejores resultados, ajuste la posición de la pieza de manera que la bobina de inducción quede en el centro.
  - Cierre el yugo giratorio hasta que cubra totalmente la parte superior de ambos soportes verticales.
- Para las piezas que no pueden encajarse sobre la bobina de inducción, siga estos pasos:
  - Elija el mayor de los tres yugos que pueda introducirse a través del diámetro interior de la pieza a calentar.
  - Deslice la pieza sobre el yugo seleccionado.
  - Las piezas pesadas (= 9 kg) que deben instalarse sobre el yugo superior deben estar apoyadas sobre el poste lateral de la bobina hasta que el yugo se encuentre en la posición correcta. El calentador puede volcarse si la pieza no está correctamente apoyada.
  - Sitúe el yugo sobre el TIH 100m con la parte inferior brillante apoyada uniformemente sobre los dos soportes verticales.
- Si desea utilizar el TEMP MODE, enchufe la sonda de temperatura en el conector situado en el lateral del asa de transporte del calentador. Coloque el extremo magnético de la sonda encima del aro interior del rodamiento o sobre la superficie interna de la pieza.
- Encienda el TIH 100m.
- Revise la autocomprobación de la pantalla de control remoto y el tono de señal.

## 5. Funcionamiento

### 5.1 Función de las pantallas

- La pantalla de control remoto muestra el tiempo o la temperatura seleccionados para el calentamiento.
- El LED muestra el nivel de potencia seleccionado.

Pantalla	Indicación
t	tiempo en minutos
°C	temperatura en grados centígrados
°F	temperatura en grados Fahrenheit



### 5.2 Función de los botones

Botón	Función
POWER	Pulse para ajustar la potencia. La potencia seleccionada aparece indicada con un LED
MODE	Pulse para cambiar entre TIME MODE y TEMP MODE
UP (+)	Pulse para aumentar el valor que aparece en la pantalla de control remoto
DOWN(-)	Pulse para disminuir el valor que aparece en la pantalla de control remoto
START / STOP	Pulse para poner en marcha o detener el calentador. El LED del botón START / STOP se enciende cuando el calentador está funcionando y se vuelve intermitente mientras se mide la temperatura

### 5.3 Temp mode (Modo de temperatura)

- Si en la pantalla de control remoto aparece "t", pulse MODE para seleccionar TEMP MODE. Cuando se está en TEMP MODE, en la pantalla de control remoto aparecen los signos °C o °F.
- La temperatura seleccionada aparece indicada en la pantalla de control remoto. La temperatura predeterminada para los rodamientos es de 110 °C. Si desea una temperatura distinta, pulse UP o DOWN para ajustar la temperatura en intervalos de 1°.
- Si los tiempos de montaje son largos, puede ser conveniente calentar los rodamientos a temperaturas superiores a 110 °C. Consulte las especificaciones de los rodamientos SKF para determinar la temperatura máxima permitida. Asegúrese siempre de que el rodamiento no quede bloqueado debido a una excesiva dilatación del aro interior en comparación con el aro exterior. Véase la sección 5.8.
- Pulse POWER para seleccionar el nivel de potencia. Utilice las instrucciones de la sección 5.8 para determinar el nivel de potencia correcto.
- Asegúrese de que la sonda de temperatura está montada sobre el aro interior del rodamiento.
- Pulse START / STOP para poner en marcha el calentador. La pantalla de control remoto muestra la temperatura actual de la pieza de trabajo.
- Durante el calentamiento, es posible que la temperatura seleccionada aparezca en pantalla durante 1 segundo pulsando MODE.
- Cuando se ha alcanzado la temperatura seleccionada, el calentador desmagnetiza la pieza de trabajo, se apaga y genera una señal acústica durante 10 segundos o hasta que se pulsa START / STOP.
- Pulse START / STOP para cancelar la señal acústica y parar el calentador.
- Retire el componente con ayuda de un equipo de manipulación adecuado.
- Si la pieza de trabajo permanece en el calentador, éste se pondrá en marcha de nuevo cuando su temperatura descienda 10 °C. Pulse START / STOP para detener el calentador y desmagnetizar la pieza de trabajo.
- El TIH 100m ya está listo para calentar otra pieza en las mismas condiciones.

- Si en la pantalla de control remoto aparece °C o °F, pulse MODE para seleccionar TIME MODE. Cuando se está en TIME MODE, en la pantalla de control remoto aparece la letra "t".
- Pulse UP o DOWN para ajustar el tiempo en intervalos de 6 segundos.
- Pulse POWER para seleccionar el nivel de potencia. Utilice las instrucciones de la sección 5.8 para determinar el nivel de potencia correcto.
- Pulse START / STOP para poner en marcha el calentador. La pantalla de control remoto le mostrará el tiempo restante.
- Durante el calentamiento, es posible mostrar la temperatura medida por la sonda durante un par de segundos pulsando MODE.
- Una vez transcurrido el tiempo, el calentador desmagnetiza la pieza, se apaga y genera una señal acústica durante 10 segundos.
- Pulse START / STOP para cancelar la señal acústica y parar el calentador.
- Retire el componente con ayuda de un equipo de manipulación adecuado.
- El TIH 100m ya está listo para calentar otra pieza en las mismas condiciones.

## 5.5 Medición de la temperatura

Cuando el calentador no está en funcionamiento, es posible medir la temperatura de la pieza de trabajo pulsando MODE y START / STOP al mismo tiempo. El LED del botón START / STOP se vuelve intermitente durante el proceso. Pulse START / STOP para cancelar la medición de la temperatura.

## 5.6 Cambio de unidad de temperatura

Pulse MODE y UP simultáneamente para cambiar entre °C y °F. La unidad de temperatura seleccionada se mantendrá, aunque el aparato se desconecte de la red eléctrica.

## 5.7 Desmagnetización

La pieza de trabajo se desmagnetiza automáticamente cuando termina el calentamiento. La desmagnetización no se producirá si se interrumpe la alimentación o si se apaga el calentador con el interruptor principal. Si desea utilizar el TIH 100m sólo para desmagnetizar, seleccione el TIME MODE y ajuste el tiempo a 0,1 minutos (6 segundos).



Al calentar rodamientos con un calentador de inducción, la mayor parte del calor se generará en su aro interior. El calor se transmitirá después a través del rodamiento. Por tanto, es importante calentar despacio los rodamientos con un juego interno reducido. El calentamiento lento favorece la dilatación uniforme del rodamiento, evitando así que resulte dañado. La forma, peso, tamaño y juego interno son factores que influyen en la cantidad de tiempo necesario para calentar un rodamiento. La gran variedad de rodamientos impide establecer un nivel de potencia específico para cada tipo. En su lugar, se ofrecen las siguientes indicaciones:

- Trate de no superar el 50% de potencia con rodamientos delicados (incluyendo los de juego interno C1 o C2) o con jaula de latón.
- Cuando utilice el yugo pequeño, no supere nunca el 50% de potencia.

## 6. Características de seguridad

El TIH 100m está equipado con las siguientes características de seguridad:

- Protección automática contra el sobrecalentamiento
- Control automático de corriente eléctrica
- Disyuntor de sobrecorriente.
- En el TEMP MODE el calentador se apagará si la sonda de temperatura no registra un incremento de temperatura de 1 °C cada 15 segundos (0,25 minutos). Para aumentar el intervalo a 30 segundos (0,50 minutos), pulse MODE y DOWN al mismo tiempo.

## 7. Resolución de problemas

Los fallos del sistema se indicarán mediante una señal acústica, y uno de los siguientes códigos de fallo aparecerá en la pantalla de control remoto:

Pantalla	Fallo	Acción
E03 E	Recalentamiento de la bobina	Espere a que la bobina de inducción se enfríe. APAGUE el calentador y vuélvalo a ENCENDER
E05 E	Incremento de temperatura inferior a 1 °C cada 15 segundos (o 1°C cada 30 segundos)	Examine la conexión de la sonda de temperatura. Si la conexión es correcta, seleccione el intervalo de 30 segundos según lo explicado en la sección 6 o utilice el calentador en el TIME MODE
E06 E	Sonda de temperatura no conectada (o defectuosa) o caída excesiva de temperatura	Examine la sonda de temperatura
E10 E	Problema de comunicación electrónica	APAGUE el calentador y vuélvalo a ENCENDER. Si el problema persiste devuelva el TIH a SKF para su reparación
E11 E	Problema de comunicación electrónica	APAGUE el calentador y vuélvalo a ENCENDER. Si el problema persiste devuelva el TIH a SKF para su reparación
E12E	Problema de comunicación electrónica	APAGUE el calentador y vuélvalo a ENCENDER. Si el problema persiste devuelva el TIH a SKF para su reparación

## 8. Piezas de repuesto

Referencia	Descripción
TIH 100-P230V	Circuito de alimentación 230 V - 220 - 240 V, 50 - 60 Hz
TIH 100-PMV	Circuito de alimentación 400 - 460 V, 50 - 60 Hz
TIH 100-Y8	Yugo 56 x 56 x 296 mm
TIH 100-Y6	Yugo 40 x 40 x 296 mm
TIH 100-Y4	Yugo 28 x 28 x 296 mm
TIH 100-Y3	Yugo 20 x 20 x 296 mm
TIH 100-Y2	Yugo 14 x 14 x 296 mm
TIH CP	Circuito de control
TIH RC	Control remoto
TIH CB16A	Disyuntor de 16 A para TIH 100m/230 V
TIH CB10A	Disyuntor de 10 A para TIH 100m/MV
TIH P20	Sonda de temperatura tipo K, incl. cable y enchufe

Dichiarazione di Conformità CE .....	59
Norme di sicurezza.....	60
1. Introduzione.....	61
1.1 Uso previsto.....	61
1.2 Principio di funzionamento.....	61
1.3 Caratteristiche esclusive .....	62
2. Descrizione .....	62
2.1 Componenti .....	62
2.2 Dati tecnici.....	63
3. Installazione della spina di alimentazione di rete .....	64
4. Preliminari per l'uso.....	65
5. Funzionamento .....	66
5.1 Funzione dello schermo.....	66
5.2 Funzione dei pulsanti .....	66
5.3 Temp mode (Modalità temperatura).....	67
5.4 Time mode (Modalità tempo) .....	68
5.5 Misurazione della temperatura.....	68
5.6 Modifica dell'unità di misurazione della temperatura .....	68
5.7 Smagnetizzazione.....	68
5.8 Selezione del livello di potenza.....	69
6. Caratteristiche di sicurezza.....	69
7. Risoluzione dei problemi.....	70
8. Parti di ricambio .....	71

Traduzione delle istruzioni originali

## Dichiarazione di Conformità CE

Noi,  
SKF Maintenance Products  
Kelvinbaan 16  
3439 MT Nieuwegein  
Paesi Bassi

dichiariamo con la presente che il seguente prodotto:

### Riscaldatore a induzione TIH 100M di SKF

è stato progettato e fabbricato in conformità alla  
DIRETTIVA EUROPEA 2006/95/EC SULLA BASSA TENSIONE  
NORMATIVA EMC 2004/108/EC come indicato nella norma armonizzata per  
EN61000-6-3:2007 /A1:2011  
EN61000-6-2:2005  
EN61000-4-2  
EN61000-4-3  
EN61000-4-4  
EN61000-4-5  
EN61000-4-6  
EN61000-4-8  
EN61000-4-11

DIRETTIVA EUROPEA ROHS 2011/65/UE

Nieuwegein, Paesi Bassi,  
Novembre 2014



Sébastien David  
Responsabile Sviluppo Prodotto e Qualità



### Norme di sicurezza

- Poiché il TIH 100m genera un campo magnetico, i portatori di pace-maker non devono avvicinarsi a più di cinque metri dal TIH 100m mentre è in funzione. Il campo magnetico può alterare anche il funzionamento di meccanismi elettronici come, ad esempio quelli degli orologi da polso.
- Attenersi sempre alle istruzioni operative.
- Verificare che la tensione di alimentazione sia corretta.
- Un'eventuale differenza di potenziale tra il TIH 100m e il pezzo in lavorazione può causare un arco voltaico. Ciò non costituisce un pericolo per gli esseri umani e non danneggia il TIH 100m né il pezzo in lavorazione. In ogni caso, il TIH 100m non deve mai essere utilizzato in aree a rischio di esplosione.
- Il TIH 100m non deve mai essere esposto a umidità da condensa o al contatto diretto con l'acqua.
- Non utilizzare mai il TIH 100m senza il giogo in posizione.
- Non utilizzare mai il TIH 100m con il cavo del telecomando posizionato fra i supporti verticali del giogo.
- Non modificare il TIH 100m.
- Per sollevare dei pezzi pesanti da lavorare, usare apposite attrezzature di sollevamento.
- Evitare il contatto con i pezzi riscaldati e maneggiarli indossando i guanti resistenti al calore in dotazione.
- Durante il processo di riscaldamento mantenere una distanza di sicurezza di 50 cm dal pezzo in lavorazione, dalla bobina e dal nucleo del riscaldatore.



## 1. Introduzione

Il riscaldatore a induzione SKF TIH 100m è stato messo a punto per riscaldare i cuscinetti che devono essere montati con interferenza su un albero. Durante l'installazione non è necessario ricorrere alla forza perché il calore determina la dilatazione del cuscinetto. Di solito una differenza di temperatura di 90 °C tra l'anello interno del cuscinetto e l'albero è sufficiente a consentire l'installazione.

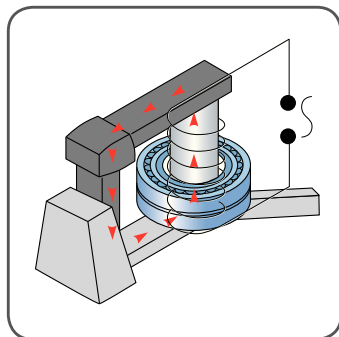
Ad una temperatura ambiente di 20 °C, il cuscinetto dovrà quindi essere riscaldato a 110 °C.

### 1.1 Uso previsto

Il TIH 100m è stato progettato per riscaldare cuscinetti volventi. È possibile, tuttavia, riscaldare anche altri componenti metallici che formano un circuito chiuso. Tra i componenti che è possibile riscaldare sono inclusi, ad esempio, boccole, anelli, pulegge e ingranaggi. Il TIH 100m consente di riscaldare tutti i cuscinetti che possono essere inseriti sulla bobina a induzione e tra i montanti verticali con il giogo superiore in posizione. Cuscinetti di dimensioni inferiori possono, inoltre, essere collocati su uno dei tre gioghi standard. Le illustrazioni all'inizio del presente manuale offrono degli esempi.

### 1.2 Principio di funzionamento

Il principio di funzionamento del TIH 100m può essere paragonato a quello di un trasformatore. La corrente elettrica ad alta tensione e bassa intensità che attraversa l'elevato numero di avvolgimenti della bobina induttiva nel TIH 100m crea sul pezzo in lavorazione una corrente elettrica ad alta intensità e a bassa tensione. Poiché il pezzo in lavorazione ha le proprietà elettriche di una bobina con un singolo avvolgimento cortocircuitato, l'alta intensità di corrente genera calore al suo interno. Il calore si sviluppa all'interno del pezzo, per cui tutti i componenti del riscaldatore rimangono freddi.



### 1.3 Caratteristiche esclusive

- **Telecomando**  
Per migliorare la facilità d'uso e per diminuire il rischio di contatto con i cuscinetti ad alta temperatura durante il funzionamento, il riscaldatore TIH 100m viene fornito con un telecomando che può essere staccato dal riscaldatore.
- **Bobina induttiva**  
Per il riscaldamento, il pezzo in lavorazione viene collocato nella stessa posizione della bobina induttiva nel nucleo. Questo metodo migliora l'efficienza, riducendo il consumo di energia elettrica e rendendo più rapido il riscaldamento, con conseguente riduzione del costo necessario per riscaldare ogni cuscinetto.
- **Supporti pieghevoli per cuscinetti**  
Per supportare cuscinetti di grosse dimensioni collocati intorno alla bobina induttiva, il riscaldatore a induzione TIH 100m è dotato di supporti pieghevoli per cuscinetti. Vedere le illustrazioni all'inizio del presente manuale.
- **Giogo girevole**  
Per maneggiare più facilmente il giogo mentre si posiziona il cuscinetto intorno alla bobina induttiva o intorno al giogo superiore, il TIH 100m è dotato di un braccio girevole per il giogo grande.
- **Stoccaggio dei gioghi**  
E' possibile stoccare tutti e tre i gioghi all'interno del riscaldatore. Due posizioni di stoccaggio si trovano dietro i supporti pieghevoli per cuscinetti. I gioghi medio e piccolo possono essere stoccati insieme in un'unica posizione di stoccaggio. Il giogo grande può essere riposto da solo nell'altra posizione di stoccaggio. Vedere le illustrazioni all'inizio del presente manuale.

## 2. Descrizione

Sono disponibili due modi per controllare elettricamente l'operazione di riscaldamento. L'operatore può selezionare in TEMP MODE (MODALITÀ TEMPERATURA) la temperatura desiderata per il cuscinetto oppure può impostare in TIME MODE (MODALITÀ TEMPO) il tempo per cui il cuscinetto deve essere riscaldato. Il livello di potenza può essere regolato al 100% o al 50% per consentire il riscaldamento più lento dei pezzi più delicati (ad esempio i cuscinetti con gioco C1 o C2).

### 2.1 Componenti

Il riscaldatore a induzione TIH 100m contiene un'anima in ferro sagomata a "U" con una bobina induttiva attorno a uno dei montanti verticali. Viene fornito un telecomando staccabile. I componenti elettronici del telecomando e l'elettronica SKF TIH 100m 65 Italiano interna controllano il funzionamento del riscaldatore. Un giogo asportabile in cima ai montanti verticali consente di posizionare il pezzo da lavorare sul riscaldatore. Il più grande dei tre gioghi può ruotare intorno al montante verticale. Per i pezzi più piccoli sono forniti in dotazione anche due gioghi di dimensioni inferiori. Al riscaldatore sono acclusi, inoltre, una sonda termometrica e un paio di guanti resistenti al calore.



TIH 100m	
Tensione	TIH 100M/230V : 230V / 50 - 60Hz TIH 100M/MV : 400 - 460V / 50 - 60Hz
Tolleranza sul voltaggio	± 10%
Protezione di linea consigliata	Fusibile da 16 A nominali per 230 V Fusibile da 10 A nominali per 400-460 V
Potenza assorbita (massima)	3,6 kVA per 230 V 4,0-4,6 kVA per 400-460 V
Controllo della temperatura	0 - 250 °C, con incrementi di 1°
Tipo di sonda	Termocoppia, tipo K
Temperatura massima sonda	250 °C
Modalità tempo	0 - 60 minuti, con incrementi di 0,1 minuto
Campo di potenza	100% - 50%
Smagnetizzazione	automatica; magnetismo residuo <2A/cm
Dimensioni d'ingombro (larghezza x profondità x altezza)	570 x 230 x 350 mm
Area tra i supporti: (larghezza x altezza)	155 x 205 mm
Diametro bobina	Per cuscinetti con alesaggio di diametro minimo of 120 mm
Peso (gioghi inclusi)	42 kg
Peso max. pezzo in lavorazione	Cuscinetto: 120 kg Componente solido: 60 kg
Temperatura di riscaldamento massima	circa 400 °C
m <sub>20</sub> *	97 kg (cuscinetto 23156)
Dimensioni del giogo standard:	Per cuscinetti con alesaggio di diametro minimo di:
56 x 56 x 296 mm	80 mm
28 x 28 x 296 mm	40 mm
14 x 14 x 296 mm	20 mm

\*m<sub>20</sub> rappresenta il peso (kg) del cuscinetto più pesante SRB 231 che può essere riscaldato da 20 a 110 °C in 20 minuti.

### 3. Installazione della spina di alimentazione di rete

Affidare a un elettricista qualificato l'installazione di una spina di rete adatta.

La tensione di alimentazione corretta è mostrata nel paragrafo 2.2.

I fili devono essere collegati come segue:

TIH 100M/230V	
Colore per TIH 100m/230V	Morsetto di alimentazione di rete
giallo / verde	terra
blu	neutro
marrone	fase

TIH 100M/MV	
Colore del filo del TIH 100m/MV	Morsetto di alimentazione di rete
giallo / verde	terra
blu	fase
marrone	fase

Collegare il TIH 100M/MV solo a due delle tre fasi, per ottenere 400 - 460 V.

#### 4. Preliminari per l'uso

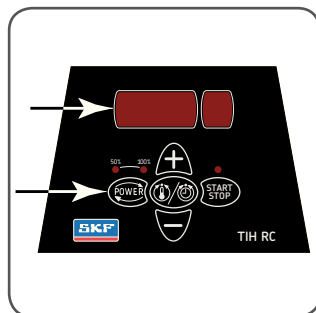
- Mettere il TIH 100m in posizione orizzontale su una superficie stabile.
- Inserire la spina in una presa di rete adatta.
- Collegare il telecomando al connettore posto sul lato del riscaldatore dove è installata la maniglia di trasporto.
- Montare il perno snodato sul raccordo girevole dal lato del montante verticale. Vedere le illustrazioni all'inizio del presente manuale. Collocare il giogo largo girevole sul perno snodato.
- Per i pezzi da lavorare con diametro interno abbastanza grande da potere essere collocati sulla bobina induttiva, osservare le istruzioni seguenti:
  - Aprire i supporti pieghevoli per cuscinetti e posizionarli come mostrato nelle illustrazioni all'inizio del presente manuale.
  - Posizionare il pezzo da lavorare sopra la bobina induttiva, facendo uso di attrezzature di sollevamento adeguate.
  - Per prestazioni ottimali, regolare la posizione del pezzo in lavorazione in modo che sia concentrico con la bobina induttiva.
  - Chiudere il giogo girevole in modo che copra completamente la parte superiore di entrambi i supporti verticali.
- Se i pezzi da lavorare sono di dimensioni tali da non potere essere collocati sopra la bobina induttiva, osservare le istruzioni seguenti:
  - Scegliere tra i tre gioghi il più grande che può essere inserito nel foro interno del pezzo.
  - Fare scorrere il pezzo sul giogo selezionato.
  - I pezzi da lavorare pesanti (= 9 kg) che devono essere installati sul giogo superiore devono essere sostenuti finché il giogo non è nella posizione corretta, sul montante laterale della bobina. Il riscaldatore può ribaltarsi se il pezzo da lavorare non è adeguatamente sostenuto.
  - Posizionare il giogo sul TIH 100m con il lato lucido sotto e in modo che poggi uniformemente sui due montanti verticali.
- Per utilizzare la modalità temperatura, inserire la sonda termometrica nel connettore posto sul lato maniglia di trasporti del riscaldatore. Mettere l'estremità magnetica della sonda sull'anello interno del cuscinetto oppure sulla parte più interna della superficie del pezzo in lavorazione.
- Accendere il TIH 100m.
- Attendere che venga completato il test automatico dello schermo sul telecomando e che venga generato il segnale acustico.

## 5. Funzionamento

### 5.1 Funzione dello schermo

- "Lo schermo sul telecomando visualizza la temperatura o il tempo di riscaldamento selezionati.
- "Il LED mostra la potenza selezionata.

Display	Indicazione
t	tempo in minuti
°C	temperatura in gradi Celsius
°F	temperatura in gradi Fahrenheit



### 5.2 Funzione dei pulsanti

Pulsante	Funzione
POWER	Premerlo per regolare la potenza. La potenza selezionata è indicata da un LED
MODE	Premerlo per passare da TIME MODE (MODALITÀ TEMPO) a TEMP MODE (MODALITÀ TEMPERATURA) e viceversa
UP (+)	Premerlo per aumentare il valore visualizzato sullo schermo del telecomando
DOWN(-)	Premerlo per diminuire il valore visualizzato sullo schermo del telecomando
START / STOP	Premerlo per avviare o interrompere il riscaldatore. Il LED sul pulsante START / STOP s'illumina quando il riscaldatore è in fase di riscaldamento e lampeggia durante la misurazione della temperatura

### 5.3 Temp mode (Modalità temperatura)

- Se lo schermo del telecomando indica "t", premere MODE per selezionare TEMP MODE (MODALITÀ TEMPERATURA). In TEMP MODE (MODALITÀ TEMPERATURA) lo schermo del telecomando visualizza °C o °F.
- La temperatura selezionata è visualizzata sullo schermo del telecomando. La temperatura predefinita per i cuscinetti è 110 °C. Se si desidera una temperatura diversa, premere UP o DOWN e regolarla con incrementi di 1°.
- Può essere necessario riscaldare i cuscinetti a temperature superiori a 110 °C, per tempi di montaggio più lunghi. Per informazioni sulla temperatura massima consentita, consultare i valori di specifica sui cuscinetti della SKF. Accertarsi sempre che il cuscinetto non si blocchi a causa di un'espansione eccessiva dell'anello interno rispetto a quello esterno. Vedere il paragrafo 5.8.
- Se necessario premere POWER per selezionare il livello di potenza. Per determinare l'impostazione corretta per la potenza fare riferimento alle istruzioni nel paragrafo 5.8.
- Controllare che la sonda termometrica sia montata sull'anello interno del cuscinetto.
- Premere START / STOP per avviare il riscaldatore. Lo schermo sul telecomando mostra la temperatura attuale del pezzo in lavorazione.
- Durante il riscaldamento, è possibile visualizzare la temperatura selezionata per 1 secondo premendo MODE.
- Una volta raggiunta la temperatura selezionata, il riscaldatore smagnetizza il pezzo in lavorazione, si spegne e produce un segnale acustico di 10 secondi che può essere interrotto premendo il pulsante START / STOP.
- Premere START / STOP per spegnere il segnale acustico e fermare il riscaldatore.
- Togliere il pezzo, facendo uso di attrezzature di sollevamento adeguate.
- Se il pezzo rimane sul riscaldatore, quest'ultimo ricomincia a funzionare quando la temperatura del pezzo scende di 10 °C. Premere START / STOP per fermare il riscaldatore e smagnetizzare il pezzo in lavorazione.
- A questo punto il TIH 100m è pronto per riscaldare un altro pezzo con le stesse impostazioni.

- Se lo schermo sul telecomando visualizza °C o °F, premere MODE per selezionare TIME MODE (MODALITÀ TEMPO). Lo schermo sul telecomando visualizza "t" in TIME MODE (MODALITÀ TEMPO).
- Premere UP o DOWN per regolare il tempo in incrementi di 0,1 minuti.
- Premere POWER per selezionare il livello di potenza. Per determinare l'impostazione corretta per la potenza fare riferimento alle istruzioni nel paragrafo 5.8.
- Premere START / STOP per avviare il riscaldatore. Lo schermo sul telecomando mostra il tempo residuo.
- Durante il riscaldamento, è possibile visualizzare la temperatura misurata dalla sonda per un paio di secondi premendo MODE.
- Una volta scaduto il tempo, il riscaldatore smagnetizza il pezzo in lavorazione, si spegne e produce un segnale acustico di 10 secondi.
- Premere START / STOP per spegnere il segnale acustico e fermare il riscaldatore.
- Togliere il pezzo, facendo uso di attrezzature di sollevamento adeguate.
- A questo punto il TIH 100m è pronto per riscaldare un altro pezzo con le stesse impostazioni.

## 5.5 Misurazione della temperatura

Quando il riscaldatore non è in funzione, la temperatura del pezzo in lavorazione può essere misurata premendo contemporaneamente MODE e START / STOP. Mentre viene misurata la temperatura, il LED sul pulsante START / STOP lampeggia. Premere START / STOP per annullare il rilevamento della temperatura.

## 5.6 Modifica dell'unità di misurazione della temperatura

Premere contemporaneamente MODE e UP per passare da °C a °F e viceversa. L'unità di temperatura rimane invariata anche dopo aver scollegato la spina dalla presa di rete.

## 5.7 Smagnetizzazione

Il pezzo in lavorazione si smagnetizza automaticamente quando il riscaldamento è completo. La smagnetizzazione non ha luogo in caso d'interruzione dell'alimentazione oppure se il riscaldatore viene spento tramite l'interruttore principale. Per usare il TIH 100m solo per smagnetizzare, selezionare TIME MODE (MODALITÀ TEMPO) e regolare il tempo su 0,1 minuti (6 secondi).

Quando si riscaldano dei cuscinetti con un riscaldatore a induzione, la maggior parte del calore viene prodotta nella pista interna del cuscinetto. Il calore viene poi trasferito attraverso il cuscinetto. Ecco perché è importante che i cuscinetti con gioco interno piccolo siano riscaldati lentamente. Il riscaldamento lento garantisce l'espansione uniforme del cuscinetto, impedendo così danni allo stesso. La forma, il peso, le dimensioni e i giochi interni sono tutti elementi che influiscono sulla quantità di tempo necessaria per riscaldare un cuscinetto. La grande varietà di tipi di cuscinetti impedisce di impostare uno specifico livello di potenza per ognuno. Vengono, invece, fornite le seguenti istruzioni:

- "Per i cuscinetti sensibili (incluso i cuscinetti con gioco C1 o C2) o cuscinetti con gabbia in bronzo, usare preferibilmente un livello di potenza del 50%.
- "Quando si usa il giogo piccolo, non superare mai un livello di potenza del 50%.

## 6. Caratteristiche di sicurezza

Il TIH 100m dispone delle seguenti funzioni di sicurezza:

- "Protezione automatica da surriscaldamento.
- "Controllo automatico della corrente.
- "Interruttore di protezione da sovracorrente.
- "In TEMP MODE (MODALITÀ TEMPERATURA), il riscaldatore si spegne se la sonda termometrica non registra un aumento di temperatura di 1 ° C ogni 15 secondi (0,25 minuti). Per aumentare l'intervallo a 30 secondi (0,50 minuti), premere contemporaneamente MODE e DOWN.

## 7. Risoluzione dei problemi

Un guasto di sistema viene indicato da un segnale acustico e da uno dei seguenti codici di errore visualizzati sullo schermo del telecomando:

Display	Guasto	Azione
E03 E	Bobina surriscaldata	Attendere che la bobina induttiva si raffreddi. Spegner e riaccendere il riscaldatore
E05 E	Aumento di temperatura inferiore a 1 °C ogni 15 secondi (o 1°C ogni 30 secondi)	Controllare il collegamento della sonda termometrica. Se l'attacco è a posto, selezionare l'intervallo di 30 secondi come descritto nel paragrafo 6 oppure utilizzare il riscaldatore in TIME MODE (MODALITÀ TEMPO)
E06 E	Sonda termometrica non connessa (o difettosa) o diminuzione di temperatura eccessiva	Controllare la sonda termometrica
E10 E	Problema di comunicazione elettronica	Spegner e riaccendere il riscaldatore. Se il problema persiste rimandare il TIH a SKF per le riparazioni
E11 E	Problema di comunicazione elettronica	Spegner e riaccendere il riscaldatore. Se il problema persiste rimandare il TIH a SKF per le riparazioni
E12E	Problema di comunicazione elettronica	Spegner e riaccendere il riscaldatore. Se il problema persiste rimandare il TIH a SKF per le riparazioni



## 8. Parti di ricambio

Appellativo	Descrizione
TIH 100-P230V	Scheda di alimentazione 230V - 220 - 240V, 50 - 60 Hz
TIH 100-PMV	Scheda di alimentazione 400 - 460V, 50 - 60 Hz
TIH 100-Y8	Giogo 56 x 56 x 296 mm
TIH 100-Y6	Giogo 40 x 40 x 296 mm
TIH 100-Y4	Giogo 28 x 28 x 296 mm
TIH 100-Y3	Giogo 20 x 20 x 296 mm
TIH 100-Y2	Giogo 14 x 14 x 296 mm
TIH CP	Scheda di comando
TIH RC	Telecomando
TIH CB16A	Interruttore automatico da 16A per TIH 100m/230V
TIH CB10A	Interruttore automatico da 10A per TIH 100m/MV
TIH P20	Sonda termometrica, tipo K completa di cavo e connettore

Declaração de conformidade EC .....	73
Recomendações de segurança .....	74
1. Introdução .....	75
1.1 Aplicação .....	75
1.2 Princípio de funcionamento .....	75
1.3 Principais características .....	76
2. Descrição .....	76
2.1 Componentes .....	76
2.2 Dados técnicos .....	77
3. Instalação da tomada de rede .....	78
4. Preparo para uso .....	79
5. Funcionamento .....	80
5.1 Função dos displays .....	80
5.2 Função dos botões .....	80
5.3 Temp mode (modo temperatura) .....	81
5.4 Time mode (modo tempo) .....	82
5.5 Medição da temperatura .....	82
5.6 Alteração da unidade de temperatura .....	82
5.7 Desmagnetização .....	82
5.8 Seleção do nível de potência .....	83
6. Características de segurança .....	83
7. Resolução de problemas .....	84
8. Peças de reposição .....	85

Tradução das instruções originais

## Declaração de conformidade EC

A,  
SKF Maintenance Products  
Kelvinbaan 16  
3439 MT Nieuwegein  
Holanda

por meio desta declara que o produto a seguir:

### SKF Induction Heater TIH 100M (Aquecedor de Indução)

foi projetado e fabricado em conformidade com a  
DIRETIVA EUROPEIA DE BAIXA TENSÃO 2006/95/CE e a  
EMC DIRECTIVE 2004/108/EC tal como se descreve na norma harmonizada para  
EN61000-6-3:2007 /A1:2011  
EN61000-6-2:2005  
EN61000-4-2  
EN61000-4-3  
EN61000-4-4  
EN61000-4-5  
EN61000-4-6  
EN61000-4-8  
EN61000-4-11

DIRETIVA EUROPEIA ROHS 2011/65/UE

Nieuwegein, Holanda,  
Novembro de 2014



Sébastien David  
Gerente de Desenvolvimento e Qualidade de Produtos



### Recomendações de segurança

- Uma vez que o TIH 100m gera um campo magnético, as pessoas que usam marca-passo devem manter uma distância de cinco metros do TIH 100m durante o seu funcionamento. Equipamentos eletrônicos, tais como relógios de pulso, também podem ser afetados.
- Siga sempre as instruções de uso.
- Certifique-se de que a corrente está correta.
- Podem ocorrer arcos elétricos quando houver uma diferença de potencial entre o TIH 100m e a peça. Isto não representa perigo para as pessoas e não danificará o TIH 100m ou a peça. Contudo, o TIH 100m nunca deve ser utilizado em áreas onde exista o risco de explosões.
- Não exponha o TIH 100m à umidade de condensação, nem o coloque em contato direto com a água.
- Nunca utilize o TIH 100m sem uma barra colocada.
- Nunca utilize o TIH 100m com o cabo do controle remoto entre os suportes verticais da barra.
- Não faça alterações no TIH 100m.
- Utilize equipamentos de manuseio adequados ao levantar peças de cargas elevadas
- Evite o contato com peças aquecidas. Para manusear peças quentes, utilize as luvas resistentes ao calor fornecidas.
- Durante o processo de aquecimento, mantenha uma distância de segurança de 50 cm em relação à peça, a bobina do aquecedor ou o núcleo.



## 1. Introdução

O aquecedor por indução SKF TIH 100m foi projetado para aquecer os rolamentos que estão montados num eixo com um ajustamento fixo. O calor faz com que o rolamento se dilate, o que elimina a necessidade de utilizar a força durante a instalação. Normalmente, uma diferença de temperatura de 90 °C entre o rolamento e o eixo é suficiente para permitir a instalação. A uma temperatura ambiente de 20 °C, o rolamento deverá ser aquecido a 110 °C.

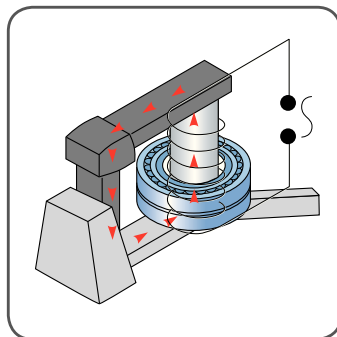
### 1.1 Aplicação

O TIH 100m foi projetado para aquecer rolamentos de rolos. Contudo, também podem ser aquecidas outras peças metálicas que formem um circuito fechado. As peças aceitáveis incluem acoplamentos, anéis de aquecimento, polias e engrenagens. Todos os rolamentos que encaixam sobre a bobina de indução e entre os suportes verticais com a barra superior colocada podem ser aquecidos, utilizando-se o TIH 100m. Além disso, os rolamentos menores podem ser colocados sobre qualquer uma das três barras padrão. Veja os exemplos nas ilustrações no início deste manual.

### 1.2 Princípio de funcionamento

O princípio de funcionamento do TIH 100m pode ser comparado ao de um transformador. A alta tensão, de baixa corrente elétrica, que passa nas espiras da bobina de indução do TIH 100, induz baixa tensão, ou seja, alta intensidade de corrente elétrica na peça. Como a peça se comporta como uma bobina de uma espira só, a alta intensidade de corrente, gera calor apenas na peça.

Uma vez que o calor é gerado apenas na peça, todos os componentes do aquecedor permanecem frios.



### 1.3 Principais características

- **Painel do controle remoto**  
Para melhorar e facilitar a utilização e ajudar a reduzir o risco de contato com o rolamento quente durante o funcionamento, o aquecedor TIH 100m é fornecido com um painel de controle remoto que pode separar-se do aquecedor.
- **Bobina de indução**  
Quando quente, a peça é localizada na mesma posição no núcleo que a bobina de indução. Este modelo melhora a eficiência, resultando num menor consumo de energia e num aquecimento mais rápido, o que reduz o custo para aquecer cada rolamento.
- **Suportes retráteis de rolamento**  
Para suportar grandes rolamentos posicionados em volta da bobina de indução, o aquecedor por indução TIH 100m é equipado com suportes retráteis de rolamento. Veja as ilustrações no início deste manual.
- **Barra articulada**  
Para facilitar o manuseio da barra durante a colocação do rolamento em volta da bobina de indução ou em volta da barra superior, o TIH 100m é equipado com um braço articulado para a barra grande.
- **Armazenamento das barras**  
As três barras podem ser armazenadas no interior do aquecedor. Os dois locais de armazenamento das barras situam-se na parte posterior dos suportes de rolamento retráteis. A barra pequena e a barra média são guardadas juntas num local de armazenamento da barra. A barra grande é guardada individualmente no outro local de armazenamento da barra. Veja as ilustrações no início deste manual.

## 2. Descrição

O funcionamento do aquecedor é controlado pelo sistema eletrônico interno em qualquer um dos dois modos. O operador pode selecionar a temperatura do rolamento desejada no TEMP MODE (MODO TEMPERATURA) ou configurar o tempo durante o qual o rolamento será aquecido no TIME MODE (MODO TEMPO). O nível de potência pode ser ajustado para 100% ou 50% para um aquecimento mais lento de peças de trabalho sensíveis (por exemplo, rolamentos com folga C1 ou C2).

### 2.1 Componentes

O aquecedor por indução TIH 100m contém um núcleo de ferro em U com uma bobina de indução em volta de um dos suportes verticais. Inclui também um painel do controle remoto destacável.

O sistema eletrônico do controle remoto e o sistema eletrônico interno controlam o funcionamento do aquecedor. Uma barra removível na parte superior dos suportes verticais permite a colocação da peça no aquecedor. A maior das três barras pode girar em volta do respectivo suporte vertical. Para acomodar as peças de menores dimensões são também fornecidas duas barras pequenas. O aquecedor inclui uma sonda de temperatura. As luvas resistentes ao calor também estão incluídas.

TIH 100m	
Tensão	TIH 100 M / 230 V : 230 V / 50 - 60 Hz TIH 100 M / MV : 400 - 460 V / 50 - 60 Hz
Tolerância de tensão	± 10%
Proteção de linha recomendada	Classificação de fusíveis de 16 A para 230 V Classificação de fusíveis de 10 A para 400 - 460 V
Consumo de energia (máximo)	3,6 kVA para 230 V 4,0-4,6 kVA para 400 - 460 V
Controle de temperatura	0 - 250 °C; em intervalos de 1°
Tipo de sonda	Termopar, tipo K
Temperatura máxima da sonda	250 °C
Modo tempo	0 - 60 minutos; em intervalos de 0,1 minuto
Variação de potência	100% - 50%
Desmagnetização	automática; magnetismo residual <2A/cm
Dimensões totais (largura x profundidade x altura)	570 x 230 x 350 mm
Área entre os suportes (largura x altura)	155 x 205 mm
Diâmetro da bobina	110 mm para um diâmetro mínimo do furo do rolamento de 120 mm
Peso (com barras)	42 kg
Peso máximo da peça	Rolamento: 120 kg Componente sólido: 60 kg
Temperatura máxima de aquecimento	400 °C aprox.
m <sub>20</sub> *	97 kg (rolamento 23156)
Dimensões da barra padrão:	Para um diâmetro mínimo do furo do rolamento de:
56 x 56 x 296	80 mm
28 x 28 x 296 mm	40 mm
14 x 14 x 296 mm	20 mm

\*m<sub>20</sub> representa o peso (kg) do rolamento SRB 231 mais pesado que pode ser aquecido de 20 para 110 °C em 20 minutos.

### 3. Instalação da tomada de rede

A tomada de rede adequada deve ser instalada por um electricista qualificado.  
A tensão de alimentação correta é mostrada na seção 2.2.  
Os fios devem ser conectados da seguinte forma:

TIH 100M/230V	
Cor do fio do TIH 100m/230 V	Terminal da fonte de alimentação
amarelo/verde	terra
azul	neutro
castanho	fase

TIH 100M/MV	
Cor do fio do TIH 100m/MV	Terminal da fonte de alimentação
amarelo/verde	terra
azul	fase
castanho	fase

Ligue o TIH 100 M/MV apenas a duas das três fases para obter 400-460 V.



#### 4. Preparo para uso

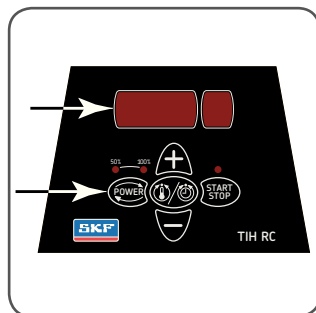
- Coloque o TIH 100m na posição horizontal sobre uma superfície estável.
- Ligue a tomada de rede a uma fonte de alimentação adequada.
- Ligue o controle remoto ao conector no lado da alça de transporte do aquecedor.
- Monte a cavilha articulada no lado do suporte vertical do conjunto articulado. Veja as ilustrações no início deste manual. Posicione a articulação da barra grande na cavilha articulada.
- Para peças de trabalho com um diâmetro suficientemente grande para encaixar sobre a bobina de indução, siga estes passos:
  - Abra o suporte retrátil do rolamento e posicione-as como demonstrado nas ilustrações no início deste manual.
  - Coloque a peça sobre a bobina de indução, utilizando o equipamento de elevação adequado.
  - Para um melhor desempenho, ajuste a posição da peça de forma que a bobina de indução fique no centro.
  - Feche barra articulada, de forma que cubra completamente a parte superior dos suportes verticais.
- Para as peças que não encaixem sobre a bobina de indução, siga estes passos:
  - Escolha a maior das três barras que encaixe no diâmetro interno da peça.
  - Deslize a peça para a barra que escolheu.
  - As peças de cargas elevadas (= 9 kg) a serem instaladas na barra superior deverão ser apoiadas, até que a barra se encontre na posição correta no suporte do lado da bobina. Se a peça não estiver apoiada, o aquecedor poderá virar.
  - Posicione a barra no TIH 100m com a parte inferior brilhante apoiada uniformemente nos dois suportes verticais.
- Caso você utilize o TEMP MODE (Modo de Temperatura), conecte a sonda de temperatura ao conector localizado no lado da alça de transporte do aquecedor. Coloque a extremidade magnética na parte superior do anel interno do rolamento ou na superfície mais interna da peça de trabalho.
- Ligue o TIH 100m.
- Observe o autoteste do display do controle remoto e a tonalidade do sinal.

## 5. Funcionamento

### 5.1 Função dos displays

- "O display do controle remoto mostra o tempo ou temperatura selecionada para o aquecimento.
- "Os LEDs da potência mostram a configuração da potência selecionada.

Display	Indicação
t	tempo em minutos
°C	temperatura em graus Celsius
°F	temperatura em graus Fahrenheit



### 5.2 Função dos botões

Botão	Função
POWER	Pressione para ajustar a potência. A potência selecionada é indicada com um LED
MODE	Pressione para alternar entre o TIME MODE (MODO TEMPO) e o TEMP MODE (MODO TEMPERATURA)
UP (+)	Pressione para aumentar o valor mostrado no display do controle remoto
DOWN(-)	Pressione para diminuir o valor mostrado no display do controle remoto
START / STOP	Pressione para ligar ou desligar o aquecedor. O LED no botão START / STOP se acende, quando o aquecedor está em operação e pisca durante a medição de temperatura

### 5.3 Temp mode (modo temperatura)

- Se o display principal mostrar 't', pressione MODE para selecionar o TEMP MODE. O display do controle remoto indica °C ou °F no TEMP MODE.
- A temperatura selecionada é exibida no display do controle remoto. A temperatura predefinida para rolamentos é de 110 °C. Se desejar uma temperatura diferente, pressione UP (CIMA) ou DOWN (BAIXO) para ajustar a temperatura em intervalos de 1°.
- Pode ser conveniente aquecer os rolamentos a temperaturas superiores a 110 °C, para aumentar o tempo de montagem disponível. Consulte as especificações dos rolamentos SKF para determinar a temperatura máxima permitida. Certifique-se sempre de que o rolamento não se bloqueia, devido a uma expansão excessiva do anel interno em comparação com o anel externo. Veja a seção 5.8.
- Se necessário, pressione POWER para selecionar o nível de potência. Utilize as instruções da seção 5.8, para determinar a configuração de potência correta.
- Certifique-se de que a sonda de temperatura se encontra montada no anel interior do rolamento.
- Pressione START / STOP para ligar o aquecedor. O display do controle remoto mostra a temperatura atual da peça.
- Durante o aquecimento, é possível exibir a temperatura selecionada durante 1 segundo, pressionando-se MODE.
- Quando a temperatura selecionada tiver sido atingida, o aquecedor desmagnetiza a peça, desliga e emite um sinal sonoro durante 10 segundos ou até o botão START / STOP ser pressionado.
- Pressione START / STOP para interromper o sinal sonoro e desligar o aquecedor.
- Remova a peça com o equipamento de manuseio adequado.
- Se a peça persistir no aquecedor, este será ativado novamente, quando a temperatura das peças diminuir 10 °C. Pressione START / STOP para desligar o aquecedor e desmagnetizar a peça.
- Agora, o TIH 100m está pronto para aquecer outra peça com as mesmas configurações.

- Se o display do controle remoto exibir °C ou °F, pressione MODE para selecionar o TIME MODE. O display do controle remoto mostra "t" no TIME MODE.
- Pressione UP ou DOWN para ajustar o tempo em intervalos de 0,1 minuto.
- Pressione POWER para selecionar o nível de potência. Utilize as instruções da seção 5.8, para determinar a configuração de potência correta.
- Pressione START / STOP para ligar o aquecedor. O display do controle remoto mostra o tempo que falta.
- Durante o aquecimento, é possível mostrar a temperatura medida pela sonda durante dois segundos, pressionando-se MODE.
- Decorrido o tempo, o aquecedor desmagnetiza a peça de trabalho, desliga, e gera um sinal sonoro durante 10 segundos.
- Pressione START / STOP para interromper o sinal sonoro e desligar o aquecedor.
- Remova a peça com o equipamento de manuseio adequado.
- Agora, o TIH 100m está pronto para aquecer outra peça com as mesmas configurações.

## 5.5 Medição da temperatura

Quando o aquecedor não está em operação, a temperatura da peça pode ser medida, pressionando-se MODE e START / STOP, ao mesmo tempo. O LED no botão START / STOP pisca durante a medição de temperatura. Pressione START / STOP para interromper a medição de temperatura.

## 5.6 Alteração da unidade de temperatura

Pressione MODE e UP, ao mesmo tempo, para alternar entre °C e °F.

A configuração da unidade de temperatura permanece, mesmo depois de desligar da rede de alimentação.

## 5.7 Desmagnetização

A peça é desmagnetizada automaticamente quando o aquecimento estiver completo. A desmagnetização não ocorrerá se houver uma falha de energia ou se o interruptor principal estiver desligado. Para utilizar o TIH 100m apenas para desmagnetizar, selecione o TIME MODE e configure o tempo para 0,1 minuto (6 segundos).

Ao aquecer rolamentos com um aquecedor por indução, a maior parte do calor será gerada no anel interior. O calor será então transferido através do rolamento. Por isso, é importante que os rolamentos com uma folga interna reduzida sejam aquecidos lentamente. O aquecimento lento assegura que o rolamento se dilate uniformemente, evitando assim que o rolamento se danifique.

A forma, peso, tamanho e folgas internas afetam o tempo necessário para aquecer um rolamento. A grande variedade de tipos de rolamentos impede a possibilidade de fornecer uma configuração do nível de potência específico para cada tipo. Em vez disso, são fornecidas as seguintes instruções:

- "Para rolamentos sensorizados (incluindo rolamentos com folga interna C1 ou C2) ou rolamentos com gaiola de latão, preferencialmente utilize os 50% de potência.
- "Quando utilizar a barra pequena, nunca exceda os 50% de potência.

## 6. Características de segurança

O TIH 100m é equipado com os seguintes recursos de segurança:

- Proteção automática contra superaquecimento.
- Controle automático de corrente.
- Disjuntor de sobrecarga.
- No TEMP MODE o aquecedor desliga se a sonda de temperatura não registrar um aumento de temperatura de 1 °C a cada 15 segundos (0,25 minuto). Para aumentar o intervalo para 30 segundos (0,50 minuto), Pressione MODE e DOWN ao mesmo tempo.

## 7. Resolução de problemas

Uma anomalia do sistema será indicada através de um sinal sonoro, e um dos seguintes códigos de problema será visualizado no display do controle remoto:

Display	Problema	Ação
E03 E	Bobina superaquecida	Espere até a bobina de indução esfrie. Desligue o aquecedor e volte a ligá-lo
E05 E	Aumento de temperatura inferior a 1 °C de 15 em 15 segundos (ou 1°C de 30 em 30 segundos)	Verifique a conexão da sonda de temperatura. Se a conexão estiver correta, selecione o intervalo de 30 segundos, conforme descrito na seção 6 ou utilize o aquecedor no TIME MODE
E06 E	A sonda de temperatura não está conectada (ou apresenta defeitos) ou queda excessiva de temperatura	Verifique a sonda de temperatura
E10 E	Problema de comunicação do sistema eletrônico	Desligue o aquecedor e volte a ligá-lo. Se o problema persistir, devolva o TIH à SKF para reparo
E11 E	Problema de comunicação do sistema eletrônico	Desligue o aquecedor e volte a ligá-lo. Se o problema persistir, devolva o TIH à SKF para reparo
E12E	Problema de comunicação do sistema eletrônico	Desligue o aquecedor e volte a ligá-lo. Se o problema persistir, devolva o TIH à SKF para reparo

## 8. Peças de reposição

Designação	Descrição
TIH 100-P230V	Power Print de 230 V - 220 - 240 V, 50 - 60 Hz
TIH 100-PMV	Power Print de 400 - 460 V, 50 - 60 Hz
TIH 100-Y8	Barra de 56 x 56 x 296 mm
TIH 100-Y6	Barra de 40 x 40 x 296 mm
TIH 100-Y4	Barra de 28 x 28 x 296 mm
TIH 100-Y3	Barra de 20 x 20 x 296 mm
TIH 100-Y2	Barra de 14 x 14 x 296 mm
TIH CP	Placa de controle
TIH RC	Controle remoto
TIH CB16A	Disjuntor de 16 A para TIH 100m/230 V
TIH CB10A	Disjuntor de 10 A para TIH 100m/MV
TIH P20	Sonda de temperatura tipo K, incl. cabo e ficha

符合欧盟相关产品条例的声明.....	87
安全需知 .....	88
1. 简介 .....	89
1.1 用途 .....	89
1.2 工作原理 .....	89
1.3 产品特点 .....	90
2. 描述 .....	90
2.1 组件 .....	90
2.2 技术参数 .....	91
3. 接上电源接头 .....	92
4. 用前准备 .....	93
5. 操作 .....	94
5.1 显示 .....	94
5.2 按键功能 .....	94
5.3 温度模式 .....	95
5.4 时间模式 .....	96
5.5 温度测量 .....	96
5.6 改变温度单位 .....	96
5.7 退磁 .....	96
5.8 加热功率选择 .....	97
6. 安全保护 .....	97
7. 故障排除 .....	98
8. 备件 .....	99



## 符合欧盟相关产品条例的声明

我们，  
SKF维护产品  
Kelvinbaan 16  
3439 MT Nieuwegein  
荷兰

在此声明，以下产品：

**SKF感应加热器**  
**TIH 100M系列**

的设计和制造遵从  
欧盟电磁兼容指令VOLTAGE DIRECTIVE 2006/95/EC  
欧盟电磁兼容指令EMC DIRECTIVE 2004/108/EC，以及其它相关条例  
EN61000-6-3:2007 /A1:2011  
EN61000-6-2:2005  
EN61000-4-2  
EN61000-4-3  
EN61000-4-4  
EN61000-4-5  
EN61000-4-6  
EN61000-4-8  
EN61000-4-11

欧洲 ROHS 指令 2011/65/EU

Nieuwegein, 荷兰,  
2014年11月



Sébastien David  
产品研发与质量经理



### 安全需知

- 由于TIH 100m加热器在工作时会产生磁场，因此在使用时，带心脏起搏器的人不可以站在距加热器周围5米范围内。另外一些电子产品，如手表，也会受到电磁场的影响。
- 在任何时候请遵从本说明书进行操作。
- 确保使用正确的电源电压。
- 在TIH 100m加热器和被加热的工件之间存在电位时，有可能产生电弧。但这对人体没危险，也不会损坏加热器和工件。但是，千万不要在有爆炸危险的区域使用TIH 100m 加热器。
- 不要将TIH 100m加热器置于高湿度环境或者直接与水接触。
- 不要在磁轭没有放置到位的情况下启动TIH 100m加热器。
- 加热器TIH 100m工作时，千万不要让控制面板的电缆从支撑磁轭的两个立柱间穿过。
- 不要自行改装TIH 100m加热器。
- 请使用合适的设备搬动重型工件。
- 避免直接接触加热后的工件，请使用耐热手套来搬运工件。



## 1. 简介

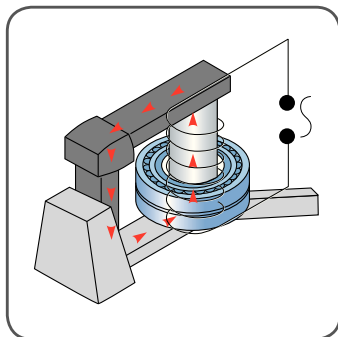
SKF的TIH 100m感应式加热器设计用来加热与轴过盈配合的轴承，加热使轴承膨胀，安装时不再需要加机械安装力。当轴承与轴的温差达到90°C时，安装所需的膨胀量是足够的。当环境温度为20°C时，轴承也就需要加热到110°C。

### 1.1 用途

TIH 100m加热器设计用于加热滚动轴承。然而，其它构成铁磁性回路的工件也可以被加热。例如衬套、扣环、皮带轮、齿轮、联轴器等。所有能够套到感应线圈上、横跨在支撑立柱间（磁轭放置到位）的轴承都可以使用TIH 100m加热器来加热。此外，小尺寸的轴承还可以挂在三根不同规格的标准配置的磁轭上加热。有关使用，请参阅本说明书最前面的示意图。

### 1.2 工作原理

TIH 100M感应式加热器可以比作变压器。高电压、低电流通过TIH 100m有大量匝数的感应线圈，而在工件上产生低电压、高电流。因为工件的电磁特性相当于单匝的短路线圈，在工件内产生高电流而生热。因为电流产生于工件内部，所以加热器的其它组件不会被加热。



### 1.3 产品特点

- 可移动的控制面板  
提高了使用的方便性、降低了操作过程中碰到被加热工件而被烫伤的危险，随加热器一块提供的可移动的控制面板可以吸附到加热器侧面上。
- 电磁感应线圈  
把要加热的工件套在电磁感应线圈上，这样的设计提高了加热效率，减少了能耗，更快地加热，从而降低加热每一套轴承所需的成本。
- 可折叠的支撑地脚  
为了支撑套在电磁感应线圈上的大型轴承，TIH 100m电磁感应加热器采用了可折叠的三角支撑结构。参见本说明书最前面的示意图。
- 可旋转磁轭  
在将轴承套上电磁感应线圈或者是挂在磁轭上时，为便于操作，TIH 100m的大尺寸的磁轭配有旋转装置。
- 磁轭存储室  
小尺寸的磁轭可以放在加热器的磁轭存储室里。磁轭存储室位于折叠支撑脚的后面。参见本说明书开始时的示意图。

## 2. 描述

加热器的操作控制是通过内部电子线路来完成的，有两种模式。使用者可以在“温度模式”下设定轴承需要加热的目标温度，也可以在“时间模式”下设定需要加热的长度。加热功率可以从100%调为50%，以减缓对热敏工件（如C1、C2游隙的轴承）的加热速度。

### 2.1 组件

TIH 100m感应式加热器包括一个U型的铁芯和缠绕在侧面垂直支柱上的感应线圈，以及一个可吸附在加热器上的控制面板。可移动面板里的电子线路和加热器内的电子线路用于控制加热器。在两个支撑立柱上放置一个可取下来的磁轭，以便将工件放到加热器上。三根磁轭中最大的那根可以绕着它的垂直支轴旋转，为了便于加热小尺寸的工件，随机提供了两根小尺寸的磁轭。  
加热器还包括有一个温度传感器和一双隔热手套。

TIH 100m	
电压	TIH 100M/230V : 230V / 50 - 60Hz TIH 100M/MV : 400 - 460V / 50 - 60Hz
电压容差	± 10%
推荐的电源保护	16A保险丝 (230V) 10A保险丝 (400 - 460V)
功率 (最大)	3.6 kVA (230V) 4.0-4.6 kVA (400 - 460V)
温度控制	0 - 250 °C, 步进单位1°C
温度传感器类型	耦合, K型
传感器最大温度	250 °C
时间控制	0 - 60分钟, 步进单位为0.1分钟 (6秒)
功率范围	100% - 50%
退磁功能 剩磁	自动 <2A/cm
外形尺寸 (w x d x h)	570 x 230 x 350 mm
支撑立柱间距 (工作面 w x h)	155 x 205 mm
电磁感应线圈直径	110 mm 可加热轴承最小内径为 120 mm
重量 (含磁轭)	42 kg (92 lbs)
可加热工件最大重量	轴承120kg, 环形实体工件60kg
可加热最高温度	约400 °C
m <sub>20</sub> *	97kg (对应轴承23156)
标配磁轭 56 x 56 x 296 mm	适用内径80 mm及其以上的轴承
28 x 28 x 296 mm	适用内径40 mm及其以上的轴承
14 x 14 x 296 mm	适用内径20 mm及其以上的轴承

\*m<sub>20</sub> 表示在20分钟内可以将多大重量 (kg) 的最重的SRB 231轴承从20°C加热到 110 °C。

### 3. 接上电源接头

必须由具有电气资质的工程师接上一个合适的电源接头。所需接入的正确电源参见 2.2节。

请按下述说明进行接线。

TIH 100M/230V	
TIH 100M/230V接线的颜色	供电电源线
黄/绿线	地线
蓝线	零线
褐线	相线 (火线)

TIH 100M/MV	
TIH 100M/MV接线的颜色	供电电源线
黄/绿线	地线
蓝线	相线 (火线)
褐线	相线 (火线)

仅需将TIH 100M/MV接到三相电中的两相，使得该产品能够兼容400-460V的电压。

#### 4. 用前准备

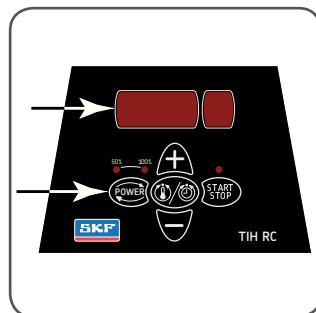
- 将TIH 100M放置在平稳的水平面上。
- 正确地连接电源电线。
- 将可移动的控制面板接入加热器手柄侧的接口。
- 将旋转支轴安装到支撑立柱上，见本说明书刚开始时的示意图。将最大的磁轭穿到支轴上。
- 对内孔足够大的工件套到电磁感应线圈上，请遵循以下操作步骤：
  - 展开加热器的支撑地脚，见本说明书最前面的示意图。
  - 使用相应的搬运设备将工件套到电磁感应线圈上。
  - 为了得到最好的加热效果，调整工件的位置，让感应线圈居于工件的中心。
  - 旋转合上磁轭，使它与加热器两立柱顶端端面完全接触。
- 对不能够套到电磁感应线圈上的工件，请遵循以下操作步骤：
  - 从标准配备的三根磁轭中选择能够穿过工件内孔的最大的那一根。
  - 将工件穿到选中的那根磁轭上。
  - 对必需要穿到横放磁轭上的较重的工件 ( $\geq 9\text{kg}$ )，请确保磁轭支撑在两个立柱顶端的正中央，否则加热器（磁轭及工件）有发生翻转的危险。
  - 将磁轭放置到TIH 100m加热器上，确保磁轭光亮的那边朝下，并与加热器的两立柱顶端端面有完好的接触。
- 若选择了温度模式（TEMP MODE），请将温度传感器插头插到加热器手柄侧的接口，将温度传感器的磁吸探头吸附到轴承内圈正上方或者是其它工件最靠近里面的地方。
- 打开TIH 100m的电源。
- 留意可移动控制面板的显示和其它信号。

## 5. 操作

### 5.1 显示

- 控制面板显示需要加热到的目标温度或时间长度
- LED电源指示灯显示选定的加热功率.

显示	意义
T	时间, 以分钟为单位
°C	摄氏温度
°F	华氏温度



### 5.2 按键功能

按键	功能
POWER	按下, 循环选择功率。选定的加热功率为LED灯指示出来
加热模式	按下, 循环选择时间模式 (TIME MODE) 或温度模式 (TEMP MODE), 见图中时钟/温度计图标
上 (+)	按下或按住, 增加控制面板上显示的数值
下 (-)	按下或按住, 减小控制面板上显示的数值
START / STOP	按下, 启动或者停止加热程序。加热器工作的时候, START / STOP按键上方的LED灯亮, 在测温过程中, 该LED灯闪烁



### 5.3 温度模式

- 如果可移动控制面板显示“t”，按下“加热模式”键，选择温度模式 (TEMP MODE)，在温度模式下，控制面板显示°C或°F。
- 设定的加热目标温度显示在控制面板上。默认的轴承加热目标温度为110°C。若需要加热的目标温度与此不符，请按“上/下”键调到想要的温度，步进长度为1°C。
- 若轴承安装过程中所需时间要长，是需要把轴承加热超过110°C的。请查询SKF轴承技术参数，确定轴承允许加热的最高温度。无论怎样，加热过程中因为内圈相对于外圈有更大的膨胀，请确保轴承不会被卡死。参见5.8节。
- 若有需要，请按“POWER”键选择加热功率水平。参见5.8节中的指导说明选择合适的加热功率。
- 请确认温度传感器装到了轴承内圈上。
- 按下“START / STOP”键启动加热器。控制面板显示工件的当前温度。
- 在加热过程中，按下“加热模式”键可以显示设定的加热目标温度1秒钟。
- 当加热至目标温度，加热器会自动对工件进行退磁、关闭并发出长为10秒的提示音直至按下“START / STOP”键。
- 按下“START / STOP”键终止提示音，停止加热。
- 用合适的搬运设备取下加热好的工件。
- 加热后的工件继续放在加热器上，若温度下降了10°C，加热器就会重新启动。按下“START / STOP”停止加热并自动退磁。
- TIH 100m加热器可继续用同样的设置来加热下一个工件。

## 5.4 时间模式

- 若控制面板显示°C或°F，按下“加热模式”键，选择时间模式（TIME MODE），在时间模式下，控制面板显示“t”。
- 按“上/下”键调节加热时间长度，步进单位为0.1分钟。
- 按下“POWER”键，选择加热功率水平。参见5.8节中的指导说明选择合适的加热功率。
- 按下“START / STOP”键启动加热器。控制面板显示剩余的加热时间。
- 在加热过程中，按下“加热模式”键数秒，温度传感器可显示工件的当前温度（温度传感器已安装到工件最靠里面的地方）。
- 当加热到了设定的时间，加热器会自动对工件退磁、关闭并发出长为10秒的提示音。
- 按下“START / STOP”键终止提示音，停止加热。
- 用合适的搬运设备取下加热好的工件。
- TIH 100m加热器可继续用同样的设置来加热下一个工件。

## 5.5 温度测量

在加热器没工作的情况下，可同时控下“加热模式”键和“START / STOP”键来测量工件的温度。在测量过程中，“START / STOP”键上方的LED灯会闪烁。再次按下“START / STOP”键，停止温度测量。

## 5.6 改变温度单位

同时按下“加热模式”键和“上”键，循环选择°C或°F。  
温度单位选择好后，即使断开了电源，设置将会保持不变。除非主动修改这一设置。

## 5.7 退磁

在加热完成的时候，加热会自动对工件退磁。在电源中断或者是断路器断开时，自动退磁功能失效。若只使用TIH 100m加热器的退磁功能，请选用时间模式，并将加热目标时间长度设定为0.1分钟（6秒）。

## 5.8 加热功率选择

使用感应加热器加热轴承时，大部分热量产生在轴承内圈，热量会传递到整个轴承。对于游隙较小的轴承，缓慢地加热就非常重要。缓慢加热能确保轴承均匀膨胀，以防损坏轴承。所需加热时间与轴承的形状、重量、尺寸以及内部游隙都有关系。由于轴承的种类及型号繁多，因此不可能为每一种型号指定某一加热功率水平。但是，我们提供以下指导：

- 对热敏感的轴承（如C1、C2游隙的）或黄铜保持架的轴承，最好使用50%加热功率的功能。
- 使用小尺寸的磁轭时，不要超过50%加热功率

## 6. 安全保护

TIH 100m具有以下安全保护功能：

- 自动过热保护
- 自动电流控制
- 过电流断路器
- 在温度模式下，每15秒（0.25分钟）内检测到的温度上升不及1°C，加热器会自动关闭。要把时间间隔增加到30秒（0.50分钟），请同时按下“加热模式”和“下”键。

## 7. 故障排除

加热器故障时，系统会发出提示音，显示器可能显示以下故障代码：

显示	故障	措施
E03 E	感应线圈过热	等到感应线圈冷却。关闭加热器，过一段时间再启动
E05 E	15秒（或30秒）内温升小于1°C	请检查温度传感器的连接。如果连接正常，按6节所述将时间间隔调整为30秒。或者选择时间加热模式
E06 E	温度传感器没有连接（或出故障）或温度急速下降	请检查温度传感器
E10 E	电子通讯故障	请关闭加热器，再重新启动。若问题还存在，请送回SKF
E11 E	电子通讯故障	请关闭加热器，再重新启动。若问题还存在，请送回SKF
E12E	电子通讯故障	请关闭加热器，再重新启动。若问题还存在，请送回SKF

8. 备件

订货号	描述
TIH 100-P230V	电源电路板 , 230V - 220 - 240V, 50 - 60 Hz
TIH 100-PMV	电源电路板 , 400 - 460V, 50 - 60 Hz
TIH 100-Y8	磁轭, 56 x 56 x 296 mm
TIH 100-Y6	磁轭, 40 x 40 x 296 mm
TIH 100-Y4	磁轭, 28 x 28 x 296 mm
TIH 100-Y3	磁轭, 20 x 20 x 296 mm
TIH 100-Y2	磁轭, 14 x 14 x 296 mm
TIH CP	控制电路板
TIH RC	可移动控制面板
TIH CB16A	16A断路器, 用于TIH 100M/230V
TIH CB10A	10A断路器, 用于TIH 100M/MV
TIH P20	温度传感器, K型, 包括电缆和插头

<b>Декларация соответствия ЕС</b> .....	<b>101</b>
<b>Рекомендации по безопасности</b> .....	<b>102</b>
<b>1. Введение</b> .....	<b>103</b>
1.1 Рекомендованное применение .....	103
1.2 Принцип работы .....	103
1.3 Особенности.....	104
<b>2. Описание</b> .....	<b>104</b>
2.1 Компоненты.....	104
2.2 Технические характеристики .....	105
<b>3. Подключение</b> .....	<b>106</b>
<b>4. Подготовка к работе</b> .....	<b>107</b>
<b>5. Эксплуатация</b> .....	<b>108</b>
5.1 Показания дисплея.....	108
5.2 Функции клавиш .....	108
5.3 Режим TEMP MODE.....	109
5.4 Режим TIME MODE .....	110
5.5 Измерение температуры .....	110
5.6 Выбор температурной шкалы °C или °F .....	110
5.7 Размагничивание.....	110
5.8 Выбор уровня мощности .....	111
<b>6. Рекомендации по безопасности</b> .....	<b>111</b>
<b>7. Неисправности</b> .....	<b>112</b>
<b>8. Запасные части</b> .....	<b>113</b>

## Декларация соответствия ЕС

Мы,  
SKF Maintenance Products  
Kelvinbaan 16  
3439 MT Nieuwegein  
The Netherlands (Нидерланды)

настоящим заявляем, что следующий продукт:

### Индукционный нагреватель SKF серии TIN 100M

был разработан и изготовлен в соответствии с:  
Европейская директива по низковольтному оборудованию 2006/95/EC  
Директивой EMC 2004/108/EC, как указано в согласованных нормах  
EN61000-6-3:2007 /A1:2011  
EN61000-6-2:2005  
EN61000-4-2  
EN61000-4-3  
EN61000-4-4  
EN61000-4-5  
EN61000-4-6  
EN61000-4-8  
EN61000-4-11

Европейская Директива 2011/65/EU по ограничению использования опасных веществ в электрооборудовании и электронном оборудовании

Nieuwegein, Нидерланды  
Ноябрь 2014



Себастьян Дэвид (Sébastien David)  
Менеджер отдела проектирования и качества



### Рекомендации по безопасности

- Поскольку ТИН 100m генерирует магнитное поле, люди, носящие сердечные стимуляторы, не должны находиться ближе 5 метров от работающего нагревателя. Электронное оборудование также может быть подвержено влиянию магнитного поля
- В процессе нагрева соблюдайте безопасную дистанцию 50 см (1.6 ф) от рабочей детали, катушки и корпуса нагревателя.
- При эксплуатации нагревателя необходимо четко следовать инструкции;.
- Напряжение в сети питания должно соответствовать техническим требованиям нагревателя.
- Во время работы нагревателя может возникнуть электрическая искра между прибором и нагреваемой деталью. Это не опасно для оператора и не может стать причиной повреждения нагревателя или детали. Однако ТИН 100m не должен использоваться в зонах с повышенной взрывоопасностью;
- Не допускать эксплуатации нагревателя в условиях высокой влажности;
- Не включать нагреватель без сердечника.
- Не используйте нагреватель с кабелем блока дистанционного управления, находящимся между вертикальными опорами
- Не ремонтировать нагреватель.
- Используйте специальные инструменты для перемещения тяжелых деталей;
- Не прикасайтесь к нагретым деталям. Для работы с нагретыми деталями носите специальные защитные перчатки.





## 1. Введение

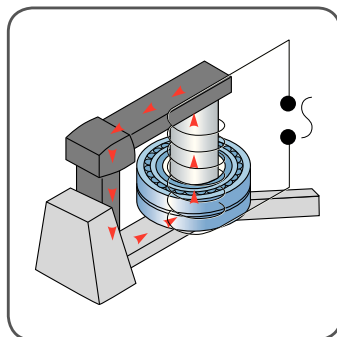
Нагреватель SKF TИH 100m разработан для нагрева подшипников, предназначенных для посадки с натягом на вал. Вследствие нагрева диаметр подшипника увеличивается, поэтому нет необходимости прикладывать усилие для монтажа. Разности температур в 90 °C (162 °F) между подшипником и валом обычно достаточно для монтажа. Следовательно, при температуре окружающей среды 20 °C (68 °F) подшипник должен быть нагрет до 110 °C (230 °F).

### 1.1 Рекомендованное применение

Нагреватель TИH 100m предназначен для нагрева подшипников качения. Однако, другие металлические детали, такие как, посадочные кольца, шкивы, шестерни, втулки, полумуфты и т.д, также можно нагревать с помощью данного прибора. Все подшипники, которые могут быть размещены на вертикальной индукционной катушке, либо на верхнем сердечнике, могут быть нагреты TИH 100m. Кроме того, малые подшипники могут быть размещены на любом из трех стандартных сердечников, например как показано на иллюстрациях в начале инструкции.

### 1.2 Принцип работы

Принцип работы нагревателя основан на том, что сердечник нагревателя представляет собой индукционную катушку с большим количеством витков, следовательно, по ней протекает малый электрический ток, а нагреваемый подшипник представляет собой катушку с короткозамкнутым кольцом, по которой протекает большой электрический ток, благодаря чему подшипник нагревается. В то время как нагревается деталь, все остальные компоненты нагревателя остаются холодными.



### 1.3 Особенности

- **Блок дистанционного управления**

Для облегчения эксплуатации и во избежание возможности контакта с нагретыми деталями в процессе работы, нагреватель ТИН 100m снабжен съемной панелью удаленного доступа.

- **Индукционная катушка**

Отличительной особенностью нагревателей ТИН 030m является размещение индукционной катушки непосредственно в отверстии нагреваемой детали. Это повышает эффективность нагрева, снижает энергопотребление и время нагрева, и, следовательно, уменьшает стоимость нагрева каждого подшипника.

- **Складные опоры для подшипников**

Для поддержания больших подшипников, располагаемых вокруг катушки, нагреватель снабжен опорами, работа с которыми показана в начале данной инструкции.

- **Поворотный сердечник**

Для облегчения работы при расположении детали вокруг индукционной катушки или вокруг сердечника ТИН 100m оборудован поворотным узлом для большого сердечника.

- **Хранение сердечников**

Все три сердечника могут храниться внутри нагревателя. См. иллюстрации в начале инструкции.

## 2. Описание

Операция нагрева контролируется встроенной электроникой. Оператор может сам установить желаемую температуру подшипника в режиме «TEMP MODE» или установить длительность времени нагрева подшипника в режиме «TIME MODE». Уровень мощности может быть отрегулирован ступенчато, от 100% до 50% для медленного или бережного нагрева чувствительных деталей (например, для подшипников с зазором C1 или C2).

### 2.1 Компоненты

Индукционный нагреватель ТИН 100m содержит U-образный металлический сердечник с индукционной катушкой вокруг вертикальной опоры. Электроника блока дистанционного управления и встроенная электроника нагревателя контролируют работу прибора. Съемная часть магнитопровода на вертикальной опоре дает возможность размещать нагреваемую деталь на нагревателе. Большой сердечник нагревателя способен поворачиваться для установки подшипника. Для работы с малыми деталями также поставляются два малых сердечника. Нагреватель оснащен датчиком температуры с магнитным креплением для контроля температуры нагреваемой детали. Термозащитные перчатки входят в комплект поставки.

<b>ТИН 100m</b>	
Напряжение	ТИН 100M/230V : 230V / 50 - 60Hz ТИН 100M/MV : 400 - 460V / 50 - 60Hz
Допуск по напряжению	± 10%
Рекомендуемая защита	16 А для 230 В 10 А для 400 - 460 В
Потребляемая мощность (максимально)	3,6 кВт для 230 В 4,0 - 4,6 кВт для 400 - 460 В
Контроль температуры	0 - 250 °C (32 - 482 °F); с шагом 1°
Датчик температуры	Термопара, К типа
Максимальная температура датчика	250 °C (482 °F)
Временной режим	0 - 60 минут; с шагом в 0.1 минуты
Диапазон мощности	100% - 50%
Размагничивание	автоматическое; остаточная намагниченность <2А/см
Размеры (ш х д х в)	570 x 230 x 350 мм (22.4 x 9.0 x 13.7 д)
Межопорное пространство (ш х в)	155 x 205 мм (6.1 x 8.0 д)
Диаметр катушки	110 мм (4.3 д) Для подшипника с мин. диаметром отверстия 120 мм (4.7 д)
Вес (включая сердечники)	42 кг (92 ф)
Максимальный вес рабочей детали	Подшипник: 120 кг (264 ф) Другая деталь: 60 кг (132 ф)
Максимальная температура нагрева	прибл. 400 °C (752 °F)
$m_{20}^*$	97 кг (подшипник 23156)
Размеры стандартных сердечников:	Для подшипника с мин. диаметром отверстия:
56 x 56 x 296 (2.2 x 2.2 x 11.7 д)	80 мм (3.1 д)
28 x 28 x 296 мм (1.1 x 1.1 x 11.7 д)	40 мм (1.6 д)
14 x 14 x 296 мм (0.6 x 0.6 x 11.7 д)	20 мм (0.8 д)

\* $m_{20}$  это масса в кг самого большого сферического роликоподшипника SKF серии 231, который можно нагреть от 20 до 110 °C(68 to 230 °F) за 20 минут.

### 3. Подключение

Квалифицированный электрик должен произвести надлежащее подключение.  
Правильное напряжение питания см. п.п. 2.2 Провода должны быть соединены таким образом:

ТИН 100М/230V	
Цвет проводов ТИН 100м/230V	Клемма
Желтый/Зеленый	Земля
Голубой	Нейтраль
Коричневый	Фаза

ТИН 100М/MV	
Цветов проводов ТИН 100м/MV	Клемма
Желтый/Зеленый	Земля
Голубой	Фаза
Коричневый	Фаза

Подключите ТИН 100М/MV только двумя из трех фаз, чтобы получить 400 - 460 В.

#### 4. Подготовка к работе

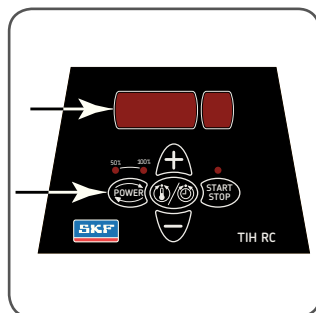
- Поместить ТИН 100m в горизонтальное положение на неподвижной поверхности.
- Подключить к электросети..
- Подключите блок ДУ к нагревателю
- Установите поворотный узел на вертикальную опору поворотного устройства. См. иллюстрацию в начале настоящей инструкции. Установите шарнир большого сердечника в поворотный узел.
- Для рабочей детали, внутренний диаметр которой позволяет поместить ее на индукционную катушку, выполните следующие действия:
  - Откиньте опоры для подшипника и расположите их как показано в начале настоящей инструкции.
  - Расположите рабочую деталь на индукционной катушке, используя соответствующее подъемное оборудование.
  - Для лучшего функционирования расположите деталь таким образом, чтобы катушка находилась по центру внутреннего отверстия детали.
  - Установите поворотный сердечник так, чтобы он полностью закрывал обе вертикальные опоры.
- Для рабочей детали, которая не подходит для помещения на индукционную катушку выполните следующие действия:
  - Выберите наибольший из трех сердечников, который можно продеть сквозь внутреннее отверстие детали.
  - Поместите рабочую деталь на выбранный сердечник.
  - При установке тяжелых деталей ( $\geq 9$  кг) их необходимо поддерживать все время, пока сердечник не будет установлен в требуемое положение на правой опоре. Если деталь не поддерживать, то нагреватель может опрокинуться.
  - Установите сердечник полированной стороной на две опоры.
- При использовании режима TEMP MODE подключите датчик температуры в разъем на стороне ручки для переноски нагревателя. Поместите магнитный конец датчика на верхнюю часть внутреннего кольца подшипника или на внутреннюю поверхность рабочей детали.
- Включите нагреватель ТИН 100m.
- Наблюдайте за прохождением внутреннего тестирования на экране блока ДУ и следите за тоновыми сигналами.

## 5. Эксплуатация

### 5.1 Показания дисплея

- " Дисплей блока ДУ показывает выбранное время или температуру нагрева.
- " ЖК/К дисплей мощности показывает выбранную мощность.

Показания	Значение
t	время в минутах
°C	температура в градусах Цельсия
°F	температура в градусах Фаренгейта



### 5.2 Функции клавиш

Клавиша	Функция
POWER	Нажмите для настройки мощности. Выбранный уровень отобразится на экране
MODE	Нажмите для переключения режимов установки времени (TIME MODE) или температуры (TEMP MODE)
UP (+)	Нажмите для увеличения значений, показанных на блоке ДУ
DOWN(-)	Нажмите для уменьшения значений, показанных на блоке ДУ
START / STOP	Нажмите для начала или остановки нагрева. Лампочка клавиши START / STOP горит при нагреве и мигает при измерении температуры

### 5.3 Режим TEMP MODE

- Если на дисплее блока ДУ горит 't', нажмите MODE для выбора режима TEMP MODE. На дисплее блока ДУ отобразится °C или °F в режиме TEMP MODE.
- Выбранная температура отображается на дисплее блока ДУ. По умолчанию установлена оптимальная для нагрева подшипников температура +110 °C (230 °F). Если необходимо установить другую температуру, то нажмите UP или DOWN для установки требуемого значения с шагом в 1 градус.
- Может возникнуть необходимость нагрева подшипника до температуры свыше 110°C(230 °F). Уточните в спецификации подшипника SKF максимальную возможную температуру для данного типа подшипника. Убедитесь, что скорость нагрева не слишком высока, в противном случае скорость расширения внутреннего кольца превысит скорость расширения наружного, произойдет резкое уменьшение внутреннего зазора и, как следствие – повреждение дорожек и телами качения нагреваемого подшипника. См. раздел 5.8.
- Нажмите POWER для выбора уровня мощности. Используйте раздел 5.8 настоящего руководства для правильной настройки мощности.
- Удостоверьтесь, что датчик температуры установлен на внутреннем кольце подшипника.
- Нажмите START / STOP для старта нагревателя. Дисплей блока ДУ покажет текущую температуру рабочей детали.
- В процессе нагрева выбранную температуру можно вывести на экран на 1 секунду нажатием MODE.
- Когда выбранная температура будет достигнута, нагреватель автоматически размагнитит нагреваемую деталь, отключится и издаст 10-и секундный звуковой сигнал.
- Нажмите START / STOP для прекращения звукового сигнала и нагрева.
- Снимите нагретую деталь с помощью специального инструмента.
- Если деталь находится в нагревателе по окончании ее нагрева, то нагреватель возобновит ее нагрев, как только ее температура упадет до 10 °C. Нажмите START / STOP для прекращения нагрева и размагничивания детали.
- Теперь TИH 100m готов к нагреву другой детали с теми же установками.

## 5.4 Режим TIME MODE

- Если экран блока ДУ показывает значок «°C» или «°F», нажмите MODE для выбора режима «TIME MODE». На главном экране отобразится буква «t» в режиме «TIME MODE».
- Нажмите UP или DOWN для изменения времени с шагом в 0,1 минуты.
- Нажмите POWER для выбора уровня мощности. Используйте раздел 5.8 настоящего руководства для правильной настройки мощности.
- Нажмите START / STOP для начала нагрева. На главном экране будет отображаться оставшееся время нагрева.
- В течение нагрева температура, измеряемая датчиком, может быть отображена на дисплее нажатием клавиши MODE.
- Когда время закончится, нагреватель размагнитит деталь, выключится и издаст 10-и секундный звуковой сигнал.
- Нажмите START / STOP для прекращения нагревания.
- Снимите деталь с помощью специального инструмента.
- После этого нагреватель TИH 100m готов к нагреву другой детали при тех же настройках.

## 5.5 Измерение температуры

Когда нагреватель не работает, температуру рабочей детали можно измерить нажатием MODE и START / STOP одновременно. Диодный индикатор клавиши START / STOP будет гореть во время измерения температуры. Нажмите START / STOP для прекращения измерения температуры.

## 5.6 Выбор температурной шкалы °C или °F

Для выбора температурной шкалы °C или °F необходимо одновременно нажать MODE и UP. При включении прибора автоматически устанавливается последняя использованная шкала.

## 5.7 Размагничивание

Нагреваемая деталь размагничивается автоматически после окончания нагрева. Размагничивание не будет осуществлено при отсутствии напряжения в цепи питания или принудительного отключении прибора. Используя TИH 100m только для размагничивания, выберите режим «TIME MODE» и установите время 0,1 мин (6 секунд).



При нагреве подшипника при помощи индукционного нагревателя внутреннее кольцо нагревается интенсивнее, чем наружное. Затем тепло распространяется по всему подшипнику. Медленный нагрев должен обеспечить более равномерное тепловое расширение деталей подшипника. Поэтому важно, чтобы подшипники с малым внутренним зазором или с преднатягом нагревались медленно для обеспечения минимальной разницы температуры разогрева колец. Форма, вес, внутренний зазор – все эти характеристики также влияют на время, необходимое для нагрева подшипника. Для выбора оптимальных параметров нагрева подшипников различных типоразмеров и конструктивных групп подшипников необходимо выполнять следующие рекомендации:

- Для чувствительных подшипников (включая подшипники с внутренним зазором С1 или С2) или подшипников с латунным сепаратором, предпочтительно использовать 50% мощности.
- При использовании малого сердечника не превышайте 50% мощности.

## **6. Рекомендации по безопасности**

ТИН 100m оборудован следующими функциями безопасности:

- Автоматическая защита от перегрева.
- Автоматический контроль тока.
- В режиме TEMP MODE нагреватель отключится, если датчик температуры не зафиксирует изменения температуры в 1 °C (1.8 °F) каждые 15 секунд (0.25 минуты). Для увеличения этого интервала до 30 секунд (0.50 минуты), нажмите MODE и DOWN одновременно.

## 7. Неисправности

Неисправности системы отображаются с помощью одного из кодов на дисплее блока ДУ и сопровождаются звуковым сигналом:

Показания	Неисправность	Действия
E03 E	Перегрев катушки	Дождитесь пока катушка остынет. Выключите нагреватель и затем включите
E05 E	Температура увеличивается меньше чем на 1 °C (1.8 °F) каждые 15 секунд (или 1°C (1.8 °F) каждые 30 секунд)	Проверьте соединение датчика температуры. Если все в порядке, то выберите 30 секундный интервал, как описано в разделе 6
E06 E	Датчик температуры не подключен (или неисправен) или чрезмерное падение температуры	Проверьте датчик температуры
E10 E	Проблемы электроники	Выключите нагреватель и затем включите. Если проблема повториться, верните нагреватель в СКФ для ремонта
E11 E	Проблемы электроники	Выключите нагреватель и затем включите. Если проблема повториться, верните нагреватель в СКФ для ремонта
E12E	Проблемы электроники	Выключите нагреватель и затем включите. Если проблема повториться, верните нагреватель в СКФ для ремонта

## 8. Запасные части

обозначение	описание
ТИН 100-P230V	Плата питания 230В - 220-240В, 50 - 60 Гц
ТИН 100-PMV	Плата питания 400 - 460В, 50 - 60 Гц
ТИН 100-Y8	Сердечник 56 x 56 x 296 мм
ТИН 100-Y6	Сердечник 40 x 40 x 296 мм
ТИН 100-Y4	Сердечник 28 x 28 x 296 мм
ТИН 100-Y3	Сердечник 20 x 20 x 296 мм
ТИН 100-Y2	Сердечник 14 x 14 x 296 мм
ТИН CP	Контрольная плата
ТИН RC	Блок ДУ
ТИН СВ16А	Предохранитель 16А для ТИН 100m/230V
ТИН СВ10А	Предохранитель 10А для ТИН 100m/MV
ТИН P20	Датчик температуры К – типа, включая кабель и разъем

The contents of this publication are the copyright of the publisher and may not be reproduced (even extracts) unless prior written permission is granted. Every care has been taken to ensure the accuracy of the information contained in this publication but no liability can be accepted for any loss or damage whether direct, indirect or consequential arising out of the use of the information contained herein.

Le contenu de cette publication est soumis au copyright de l'éditeur et sa reproduction, même partielle, est interdite sans autorisation écrite préalable. Le plus grand soin a été apporté à l'exactitude des informations données dans cette publication mais SKF décline toute responsabilité pour les pertes ou dommages directs ou indirects découlant de l'utilisation du contenu du présent document.

Nachdruck, auch auszugsweise, nur mit unserer vorherigen schriftlichen Genehmigung gestattet. Die Angaben in dieser Druckschrift wurden mit größter Sorgfalt auf ihre Richtigkeit hin überprüft. Trotzdem kann keine Haftung für Verluste oder Schäden irgendwelcher Art übernommen werden, die sich mittelbar oder unmittelbar aus der Verwendung der hier enthaltenen Informationen ergeben.

El contenido de esta publicación es propiedad de los editores y no puede reproducirse (incluso parcialmente) sin autorización previa por escrito. Se ha tenido el máximo cuidado para garantizar la exactitud de la información contenida en esta publicación, pero no se acepta ninguna responsabilidad por pérdidas o daños, ya sean directos, indirectos o consecuentes, que se produzcan como resultado del uso de dicha información.

La riproduzione, anche parziale, del contenuto di questa pubblicazione è consentita soltanto previa autorizzazione scritta della SKF. Nella stesura è stata dedicata la massima attenzione al fine di assicurare l'accuratezza dei dati, tuttavia non si possono accettare responsabilità per eventuali errori od omissioni, nonché per danni o perdite diretti o indiretti derivanti dall'uso delle informazioni qui contenute.

O conteúdo desta publicação é de direito autoral do editor e não pode ser reproduzido (nem mesmo parcialmente), a não ser com permissão prévia por escrito. Todo cuidado foi tomado para assegurar a precisão das informações contidas nesta publicação, mas nenhuma responsabilidade pode ser aceita por qualquer perda ou dano, seja direto, indireto ou consequente, como resultado do uso das informações aqui contidas.

本出版物内容的著作权归出版者所有且未经事先书面许可不得被复制（甚至引用）。我们已采取了一切注意措施以确定本出版物包含的信息准确无误，但我们不对因使用此等信息而产生的任何损失或损害承担任何责任，不论此等责任是直接、间接或附随性的。

Содержание этой публикации является собственностью издателя и не может быть воспроизведено (даже частично) без предварительного письменного разрешения. Несмотря на то, что были приняты все меры по обеспечению точности информации, содержащейся в настоящем издании, издатель не несет ответственности за любой ущерб, прямой или косвенный, вытекающий из использования вышеуказанной информации.

## SKF Maintenance Products

© SKF is a registered trademark of the SKF Group.  
© SKF Group 2014/12

www.mapro.skf.com  
www.skf.com/mount

MP5301