

Изображение может отличаться от товара. Подробности смотрите в технической спецификации.

СНЛ 513-611 + 22213 ЕК + Н 313

Комбинация корпус-подшипник с принадлежностями

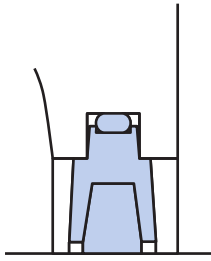
i Этот товар состоит из нескольких продуктов, которые необходимо заказывать отдельно.

Комбинация корпусов, подшипников и принадлежностей SKF — отличный выбор для индивидуального, надежного и устойчивого решения для вашей конструкции вала. SKF предлагает широкий выбор высококачественных конструкций и размеров корпусов для решения ваших конкретных задач, включая специально разработанные корпуса для особых применений. Подшипники воплощают в себе самые современные технологии SKF, обеспечивающие подшипники высочайшего качества. Каждую часть комбинации необходимо покупать отдельно.

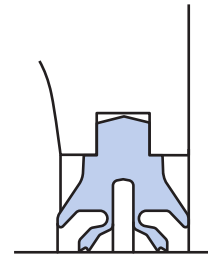
- Множество вариантов
- Индивидуальные комбинации
- Экономическая эффективность
- Надежный
- Устойчивый

Technical specification

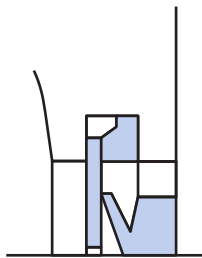
APPROPRIATE SEALS AND END COVER



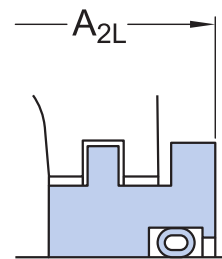
TSN 513 C



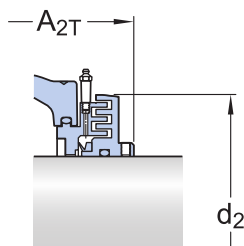
TSN 513 L



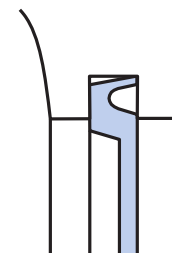
TSN 513 A



2 x TSN 513 S



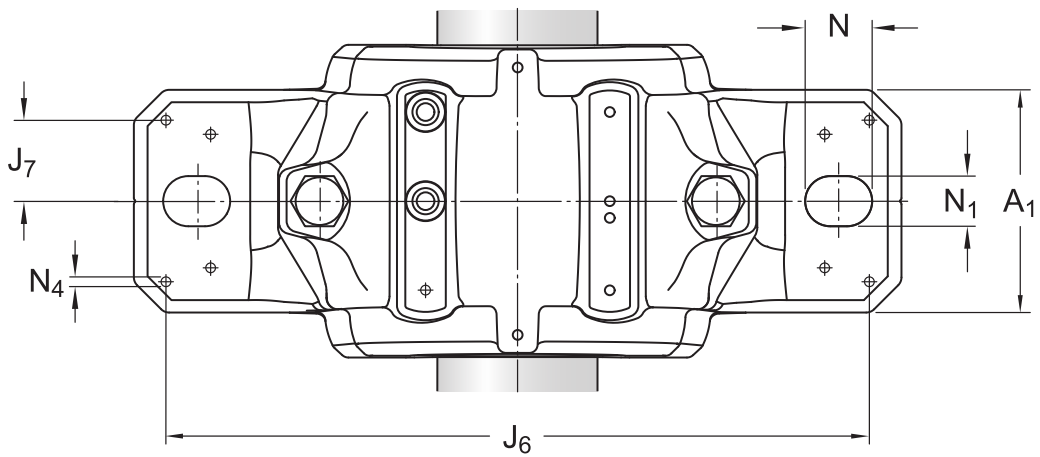
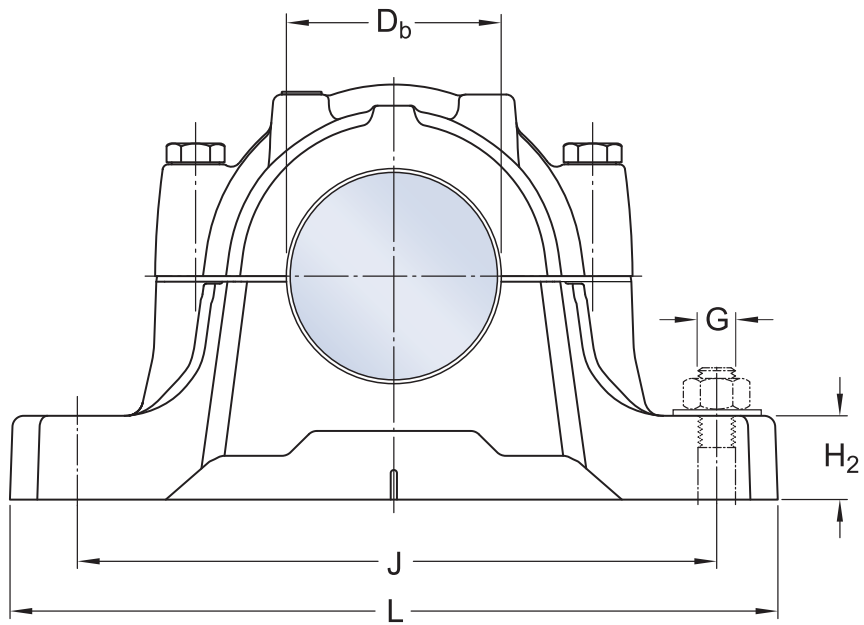
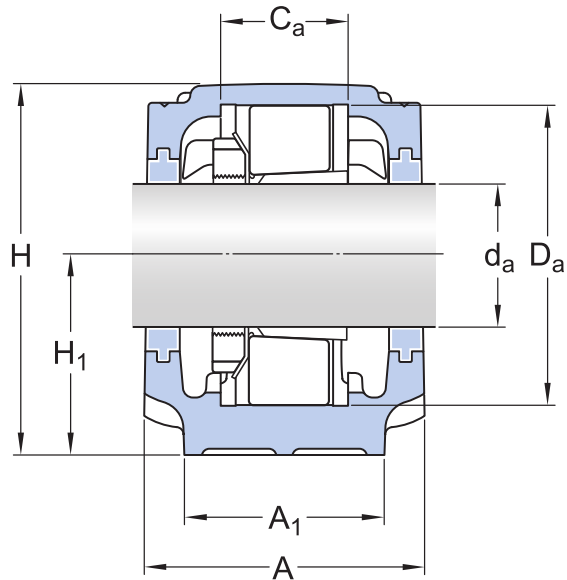
2 x TK 513



ASNH 513-611

Associated products

Housing	<input checked="" type="checkbox"/> SNL 513-611
Bearing	<input checked="" type="checkbox"/> 22213 EK
Adapter sleeve	<input checked="" type="checkbox"/> H 313
Locating ring	<input checked="" type="checkbox"/> 2 x FRB 10/120



Dimensions

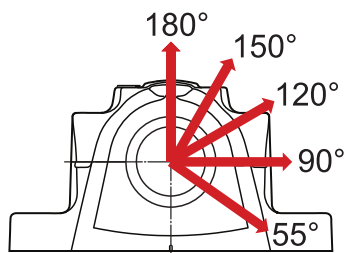
d_a	60 mm	Shaft diameter
C_a	51 mm	Width of bearing seat
D_a	120 mm	Diameter of bearing seat
D_b	77 mm	Bore diameter
A	110 mm	Width
A_1	80 mm	Foot width
H	149 mm	Height
H_1	80 mm	Centre height of bearing seat
H_2	30 mm	Foot height
J	230 mm	Distance between attachment bolts
L	275 mm	Length
N	24 mm	Length of attachment bolt hole
N_1	18 mm	Width of attachment bolt hole

DOWEL PINS

J_6	252 mm	Distance between dowel pins
J_7	29 mm	Axial offset of dowel pins
N_4	max. 8 mm	Diameter of dowel pins

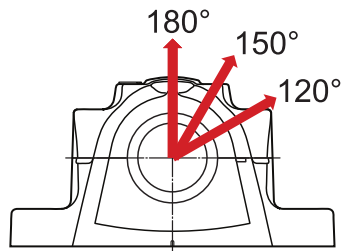
SEAL DIMENSIONS

A_{2L}	122 mm	Width across labyrinth seals
A_{2T}	180 mm	Width across taconite seals
d_2	133 mm	Diameter of taconite seal



Breaking loads, housing

P_{0°	270 kN	Breaking load
P_{55°	340 kN	Breaking load
P_{90°	205 kN	Breaking load
P_{120°	150 kN	Breaking load
P_{150°	130 kN	Breaking load
P_{180°	170 kN	Breaking load
P_a	110 kN	Breaking load



Yield point, cap bolts

Q_{120°	220 kN	Load carrying ability of cap bolts
Q_{150°	125 kN	Load carrying ability of cap bolts
Q_{180°	110 kN	Load carrying ability of cap bolts

Mounting information

Size of cap bolt		M 12x65
Recommended tightening torque for cap bolts		80 N·m
Recommended diameter for attachment bolts	G	16 mm
Recommended tightening torque for attachment bolts		200 N·m
Initial grease fill, 20%		100 g
Initial grease fill, 40%		160 g

Совместимые продукты

Компонент

возможностью повторной смазки

Закрепительная втулка со стопорной гайкой KM и стопорной шайбой MB, метрические размеры

[H 313](#)

Разъемный стационарный корпус серий SNL 2, 3, 5 и 6.

[СНЛ 513-611](#)

Рекомендуемый продукт

Торцевая крышка из полипропилена для корпусов подшипников SNL

[ACHX 513-611](#)

Таконитовое уплотнение

[2 x TK 513](#)

V-образное уплотнение

[TCH 513 A](#)

Войлочная печать

[TCH 513 C](#)

Четырехкромочное уплотнение

[TCH 513 Л](#)




Лабиринтное уплотнение

[2 x TCH 513 C](#)

Фиксирующее (стабилизирующее) кольцо

[2 x ФРБ 10/120](#)

More Information

 Designs and variants	 Product details	 Tools
Standard housing design	Permissible misalignment	SKF Product select - Housing with bearing
Housing variants	Typical shaft-bearing combinations	SimPro Quick
Sealing solutions	Locating/non-locating support	Tool and Accessory Selector for sleeves and shafts
	Loads	LubeSelect for SKF greases
	Temperature limits	Drive-up Method Program
	Permissible speed	Heater selection tool
	Lubrication	Oil Injection Method Program
	Mounting	Rolling bearings mounting and dismounting instructions
	Condition monitoring	
	Associated products	
	Ordering information	
	Designation system	

Terms of use

By accessing and using this website / app owned and published by AB SKF (publ.) (556007-3495 · Gothenburg) ("SKF"), you agree to the following terms and conditions:

Warranty Disclaimer and Limitation of Liability

Although every care has been taken to assure the accuracy of the information on this website / app, SKF provides this information "AS IS" and DISCLAIMS ALL WARRANTIES, EXPRESS OR IMPLIED, INCLUDING, BUT NOT LIMITED TO, IMPLIED WARRANTIES OF MERCHANTABILITY AND FITNESS FOR A PARTICULAR PURPOSE. You acknowledge that your use of this website / app is at your sole risk, that you assume full responsibility for all costs associated with use of this website / app, and that SKF shall not be liable for any direct, incidental, consequential, or indirect damages of any kind arising out of your access to, or use of the information or software made available on this website / app.

Any warranties and representations in this website / app for SKF products or services that you purchase or use will be subject to the agreed upon terms and conditions in the contract for such product or service.

Further, for non-SKF websites / apps that are referenced in our website / app or where a hyperlink appears, SKF makes no warranties concerning the accuracy or reliability of the information in these websites / apps and assumes no responsibility for material created or published by third parties contained therein. In addition, SKF does not warrant that this website / app or these other linked websites / apps are free from viruses or other harmful elements.

Third Party Services

When viewing YouTube content via the SKF website(s) (i.e. using [YouTube API Services](#)), you agree to be bound by the [YouTube Terms of Service](#).

Copyright

Copyright in this website / app copyright of the information and software made available on this website / app rest with SKF or its licensors. All rights are reserved. All licensed material will reference the licensor that has granted SKF the right to use the material. The information and software made available on this website / app may not be reproduced, duplicated, copied, transferred, distributed, stored, modified, downloaded or otherwise exploited for any commercial use without the prior written approval of SKF. However, it may be reproduced, stored and downloaded for use by individuals without prior written approval of SKF. Under no circumstances may this information or software be supplied to third parties.

This website /app includes certain images used under license from Shutterstock, Inc.

Trademarks and Patents

All trademarks, brand names, and corporate logos displayed on the website / app are the property of SKF or its licensors, and may not be used in any way without prior written approval by SKF. All licensed trademarks published on this website / app reference the licensor that has granted SKF the right to use the trademark. Access to this website / app does not grant to the user any license under any patents owned by or licensed to SKF.

Changes

SKF reserves the right to make changes or additions to this website / app at any time.