

ООО "Индастриал Партнер"
Авторизованный дистрибьютор SKF

www.skf.indpart.ru

mail@indpart.ru
8(495)223-07-69



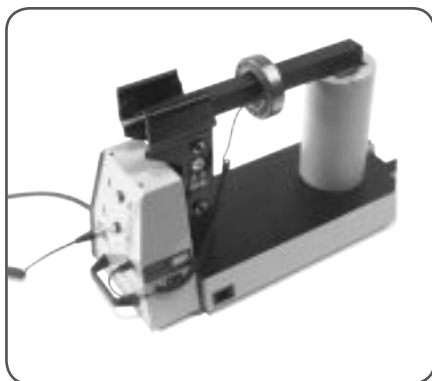
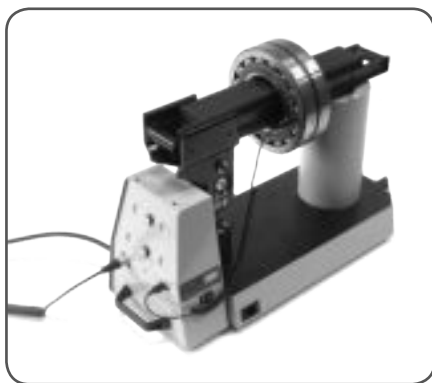
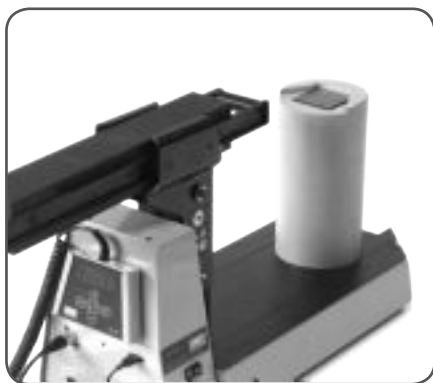
SKF TIH 220m

Instructions for use
Mode d'emploi
Bedienungsanleitung
Instrucciones de uso

Manuale d'istruzioni
Instruções de uso
使用说明书
Инструкция по эксплуатации

Техническая поддержка:
mail@indpart.ru, 8(495)223-07-69

English	2	English
Français	14	Français
Deutsch	26	Deutsch
Español	38	Español
Italiano	50	Italiano
Português	62	Português
中文	74	中文
Русский	86	Русский



EC Declaration of conformity.....	4
Safety recommendations.....	5
1. Introduction	6
1.1 Intended use.....	6
1.2 Principle of operation.....	6
1.3 Distinguishing features	7
2. Description.....	7
2.1 Components	7
2.2 Technical Data.....	8
3. Installation of the mains plug	8
4. Preparation for use	9
5. Operation.....	10
5.1 Function of displays.....	10
5.2 Function of buttons	10
5.3 Temp Mode.....	10
5.4 Time Mode.....	11
5.5 Temperature measurement	11
5.6 Change of temperature unit.....	11
5.7 Demagnetisation.....	11
5.8 Power level selection.....	12
6. Safety features	12
7. Troubleshooting	13
8. Spare parts	13

Original instructions

EC Declaration of conformity

We,
SKF Maintenance Products
Kelvinbaan 16
3439 MT Nieuwegein
The Netherlands

herewith declare that the following product:

SKF Induction Heater TIH 220m

has been designed and manufactured in accordance with:
EUROPEAN LOW VOLTAGE DIRECTIVE 2006/95/EC
EMC DIRECTIVE 2004/108/EC as outlined in the harmonized norm for
EN61000-6-3:2007 /A1:2011
EN61000-6-2:2005
EN61000-4-2
EN61000-4-3
EN61000-4-4
EN61000-4-5
EN61000-4-6
EN61000-4-8
EN61000-4-11

EUROPEAN ROHS DIRECTIVE 2011/65/EU

Nieuwegein, The Netherlands,
November 2014



Sébastien David
Manager Product Development and Quality



Safety recommendations

- Because the TIH 220m generates a magnetic field, people wearing a pacemaker must not be within 5 m (16 ft) of the TIH 220m during operation. Electronic equipment, such as wristwatches, may also be affected.
- During the heating process observe a safety distance of 50 cm (1.6 ft) with the workpiece, the heater coil or the core.
- Follow the operating instructions at all times.
- Make sure the voltage supply is correct.
- Electrical arcing may occur when a potential difference exists between the TIH 220m and the workpiece. This is not dangerous to human beings and will not cause damage to the TIH 220m or the workpiece. However, the TIH 220m must never be used in areas where there is a risk of explosion.
- The TIH 220m must not be exposed to condensing humidity or direct contact with water.
- Never touch the TIH 220m coil, core, yoke or workpiece during heating.
- Never operate the TIH 220m without a yoke in position.
- Never operate the TIH 220m with the cable of the remote control between the vertical supports of the yoke.
- Do not modify the TIH 220m.
- Use proper handling equipment when lifting heavy workpieces.
- Avoid contact with hot workpieces, especially bearing cages, which are hotter than the rings. Wear the supplied heat resistant gloves to handle hot workpieces.
- When using induction heating, the temperature generated in the bearing inner ring will be higher than the temperature in the bearing outer ring. Ensure that the different expansion of the rings does not block the rolling elements.
- Ensure the yoke is applied with the ground faces pointing downward, and in proper contact with the core uprights.



1. Introduction

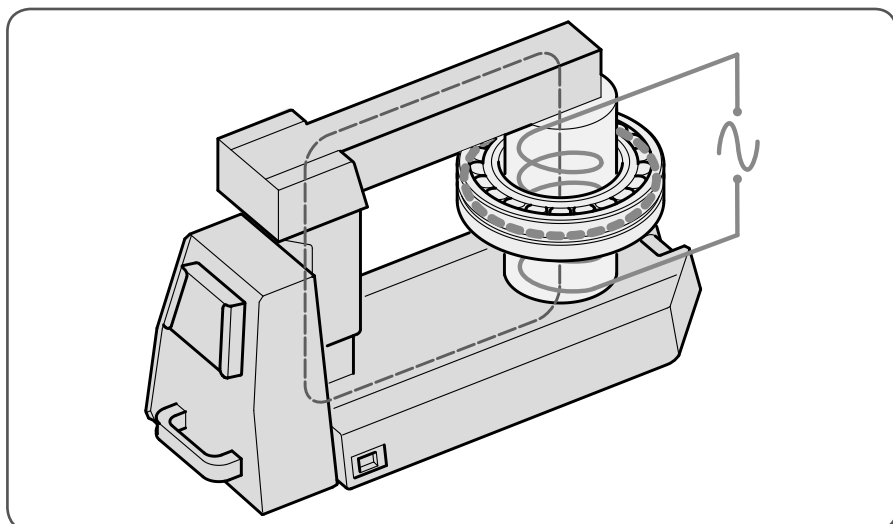
The SKF TIH 220m induction heater is designed to heat bearings, which are mounted with an interference fit onto a shaft. The heat causes the bearing to expand, which eliminates the need to use force during installation. A 90 °C (162 °F) temperature difference between the bearing and shaft is generally sufficient to enable installation. At an ambient temperature of 20 °C (68 °F), the bearing must therefore be heated to 110 °C (230 °F).

1.1 Intended use

The TIH 220m has been designed to heat rolling bearings. However, other metal workpieces that form a closed circuit can also be heated. Examples of acceptable workpieces include bushings, shrink rings, pulleys, and gears. All bearings that fit over the induction coil and between the vertical supports with the top yoke in place can be heated using the TIH 220m. In addition, smaller bearings can be placed over any of the two standard yokes. See the illustrations at the beginning of this manual for examples.

1.2 Principle of operation

The principle of operation of the TIH 220m can be compared to a transformer. The high voltage, low electrical current flowing through a large number of windings in the TIH 220m's induction coil induces low voltage, high current electricity in the workpiece. Because the workpiece has the electrical characteristics of a coil with a single, short-circuited winding, the high current generates heat within the workpiece. Because the heat is generated within the workpiece, all of the heater components remain cool.



- **Remote control panel**

To improve the ease of use and to help reduce the risk of contact with the hot bearing during operation, the TIH 220m heater is supplied with a remote control panel which can be detached from the heater.

- **Inductive coil**

When heated the workpiece is located at the same position on the core as the inductive coil. This design improves efficiency, resulting in less power consumption and faster heating which reduces the cost to heat each bearing.

- **Folding bearing supports**

To support large bearings positioned around the induction coil, the TIH 220m induction heater is fitted with folding bearing supports. See the illustrations at the beginning of this manual.

- **Sliding yoke**

To facilitate the handling of the yoke while placing the bearing around the induction coil or around the top yoke, the TIH 220m is fitted with a sliding arrangement for the large yoke.

- **Yoke storage**

The small yoke can be stored inside the heater. The yoke storage is located behind the folding bearing supports. See the illustrations at the beginning of this manual.

2. Description

The operation of the heater is controlled by the internal electronics in either of two modes. The operator can either select the desired temperature of the bearing in TEMP MODE or set the length of time that the bearing will be heated in TIME MODE. The power level can be adjusted to 100% or 50% for slower heating of sensitive workpieces (for example, bearings with C1 or C2 clearance).

2.1 Components

The TIH 220m induction heater contains a U-shaped iron core with an induction coil surrounding one of the vertical supports. A detachable remote control panel is included. The remote control electronics and the internal electronics, control the operation of the heater. A removable yoke on the top of the vertical supports, allows the workpiece to be placed onto the heater. The largest of the two yokes can slide on its vertical post. To accommodate smaller workpieces, a small yoke is also provided. A temperature probe is included with the heater. Heat-resistant gloves are also included.

TIH 220m	
Voltage ($\pm 10\%$): TIH 220m/MV TIH 220m/LV	400 - 460V / 50 - 60Hz 200 - 240V / 50 - 60Hz
Recommended line protection: TIH 220m/MV TIH 220m/LV	minimum requirement 25 A minimum requirement 50 A
Power consumption (maximum)	10,0 - 11,5 kVA for 400 - 460 V
Temperature control	0 - 250 °C (32 - 482 °F); in steps of 1°
Probe type	thermocouple, K type
Probe maximum temperature	250 °C (482 °F)
Time mode	0 - 60 minutes; in steps of 0.1 minute
Power range	100% - 50%
Demagnetisation	automatic; residual magnetism <2A/cm
Overall dimensions (w x d x h)	750 x 290 x 440 mm (29.5 x 11.4 x 17.3 in)
Area between supports (width x height)	250 x 255 mm (9.8 x 10.0 in)
Coil diameter	140 mm (5.5 in) For minimum bearing bore diameter of 150 mm (5.9 in)
Weight (with yokes)	86 kg (189 lbs)
Workpiece maximum weight	Bearing: 300 kg (661 lbs) Solid component: 150 kg (330 lbs)
Maximum heating temperature	approx. 400 °C (752 °F)
m_{20}^*	220 kg (bearing 23172)
Standard yoke dimensions: 70 x 70 x 430 mm (2.8 x 2.8 x 16.9 in) 40 x 40 x 430 mm (1.5 x 1.5 x 16.9 in)	For minimum bearing bore diameter of: 100 mm (3.9 in) 60 mm (2.3 in)

* m_{20} represents the weight (kg) of the heaviest SRB 231 bearing that can be heated from 20 to 110 °C (68 to 230 °F) in 20 minutes.

3. Installation of the mains plug

A qualified electrician must install a suitable mains plug. The correct supply voltage is shown in section 2.2.

The wires should be connected as follows:

TIH 220m/MV, TIH 220m/LV with 200V-3 phases, and all other three phases supply execution

Colour of TIH 220m/xx wire	Mains supply terminal
yellow / green	ground
blue	phase 1
brown	phase 2

Connect the TIH 220m to only two of the three phases.

TIH 220m/LV with single phase supply

Colour of TIH 220m/LV wire	Mains supply terminal
yellow / green	ground
blue	neutral
brown	phase 1

4. Preparation for use

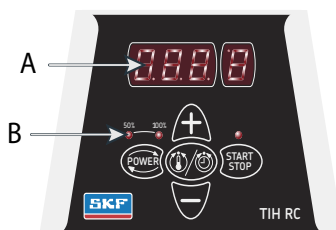
- Place the TIH 220m in the horizontal position on a stable surface.
- Connect the mains plug to a suitable mains supply.
- Plug the remote control into the connector on the carrying handle side of the heater.
- Slide the sliding yoke in open position. See the illustrations at the beginning of this manual.
- For workpieces with an internal diameter large enough to fit over the induction coil, follow these steps:
 - Open the foldable bearing support and position them as shown on the illustrations at the beginning of this manual.
 - Place the workpiece over the induction coil using appropriate lifting equipment.
 - For best performance, adjust the position of the workpiece so that the induction coil is in the centre.
 - Close the sliding yoke so that it completely covers the top of both vertical supports.
- For workpieces that do not fit over the induction coil, follow these steps:
 - Choose the largest of the two yokes that fit through the internal diameter of the workpiece.
 - Slide the workpiece onto the yoke that you have selected.
 - Position the yoke on the TIH 220m with the bright underside resting evenly on the two vertical supports.
- If you will use TEMP MODE, plug the temperature probe into the connector on the carrying handle side of the heater. Place the magnetic end of the probe on the inner ring of the bearing or on the innermost surface of the workpiece.
- Switch on the TIH 220m.
- Observe the self-test of the remote control display and signal tone.

5. Operation

5.1 Function of displays

- A The remote control display shows the selected time or temperature for heating.
 B The power LED's show the selected power setting.

Display	Indication
t	time in minutes
°C	temperature in degrees Celcius
°F	temperature in degrees Fahrenheit



5.2 Function of buttons

Button	Function
POWER	Press to adjust the power. The selected power is indicated with an LED
MODE	Press to switch between TIME MODE and TEMP MODE
UP (+)	Press to increase the value shown on the remote control display
DOWN (-)	Press to decrease the value shown on the remote control display
START / STOP	Press to start or stop the heater. The LED on the START / STOP button is lit when the heater is heating and flashes during temperature measurement

5.3 Temp Mode

- If the remote control display shows 't', press MODE to select TEMP MODE. The remote control display shows °C or °F in TEMP MODE.
- The selected temperature is shown on the remote control display. The default temperature for bearings is 110 °C (230 °F). If a different temperature is desired, press UP or DOWN to adjust the temperature in steps of 1°.
- It may be desirable to heat bearings to temperatures above 110 °C (230 °F) for increased mounting time. Consult the SKF bearing specifications to determine the maximum permitted temperature. Always ensure the bearing does not lock due to an excessive expansion of the inner ring compared to outer ring. See section 5.8.
- If needed, press POWER to select the power level. Use the guidelines in section 5.8 to determine the correct power setting.
- Make sure the temperature probe is mounted on the bearing inner ring.
- Press START / STOP to start the heater. The remote control display shows the current temperature of the workpiece.
- During heating the selected temperature can be displayed for 1 second by pressing MODE.

- When the selected temperature has been reached, the heater demagnetises the workpiece, switches off, and generates an acoustic signal for 10 seconds or until START / STOP is pressed.
- Press START / STOP to cancel the acoustic signal and stop the heater.
- Remove the workpiece with proper handling equipment.
- If the workpiece remains on the heater, the heater will start again when the temperature of the workpiece drops 10 °C (18 °F). Press START / STOP to stop the heater and demagnetise the workpiece.
- The TIH 220m is now ready to heat another workpiece with the same settings.

5.4 Time Mode

- If the remote control display shows °C or °F, press MODE to select TIME MODE. The remote control display shows 't' in TIME MODE.
- Press UP or DOWN to adjust the time in steps of 0,1 minute.
- Press POWER to select the power level. Use the guidelines in section 5.8 to determine the correct power setting.
- Press START / STOP to start the heater. The remote control display shows the time that remains.
- During heating, the temperature measured by the probe can be displayed for a couple of seconds by pressing MODE.
- When the time has elapsed, the heater demagnetises the workpiece, switches off, and generates an acoustic signal for 10 seconds.
- Press START / STOP to cancel the acoustic signal and stop the heater.
- Remove the workpiece with proper handling equipment.
- The TIH 220m is now ready to heat another workpiece with the same settings.

5.5 Temperature measurement

When the heater is not operating, the temperature of the workpiece can be measured by pressing MODE and START / STOP at the same time. The LED on the START / STOP button flashes during temperature measurement. Press START / STOP to cancel temperature measurement.

5.6 Change of temperature unit

Press MODE and UP at the same time to switch between °C and °F. The temperature unit setting remains the same even after disconnection from mains power.

5.7 Demagnetisation

The workpiece is automatically demagnetised when heating is complete. Demagnetisation will not occur if the power is interrupted or the main switch is switched off. To use the TIH 220m for demagnetisation only, select TIME MODE and set the time to 0,1 minute (6 seconds).

When heating bearings with an induction heater, most of the heat will be generated in the inner bearing race. The heat will then be transferred through the bearing. It is therefore important that bearings with reduced internal clearance are heated slowly. Slow heating ensures that the bearing expands evenly, thereby preventing damage to the bearing. The shape, weight, size, and internal clearances all affect the amount of time required to heat a bearing. The large variety of bearing types precludes the possibility of providing a specific power level setting for each type.

Instead, the following guidelines are provided:

- For sensitive bearings (including bearings with C1 or C2 internal clearance) or bearings with brass cages, do not exceed 50% power.
- When using the small yoke, never exceed 50% power.

For SRB or CARB® bearings, special care must be taken when heating in a horizontal position and subsequent mounting, especially on vertical shafts. The weight of the rollers will always set themselves in the lowest position possible: they will be in contact with both raceways, giving a reduction in the internal clearance. For heavy SRB or CARB® bearings with heavy rollers we strongly recommend the use of roller centering ring.

The roller centering ring keeps the rollers in position in the middle of the raceways during the heating process and the mounting.

6. Safety features

The TIH 220m is equipped with the following safety features:

- Automatic overheating protection
- Automatic current control
- Over-current circuit breaker.
- In the TEMP MODE the heater will switch off if the temperature probe does not register a temperature increase of 1°C (1.8°F) every 15 seconds (0,25 minute). To increase the interval to 30 seconds (0,50 minute), press MODE and DOWN at the same time.

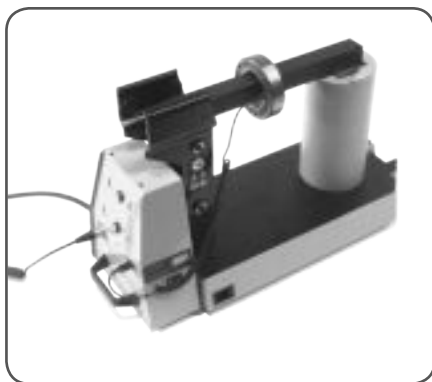
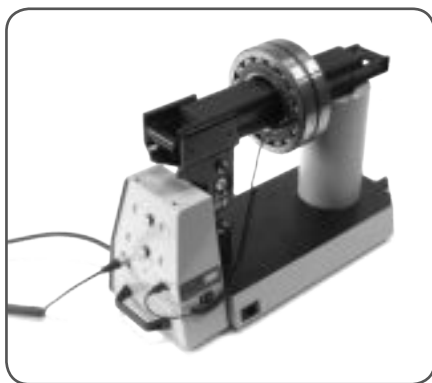
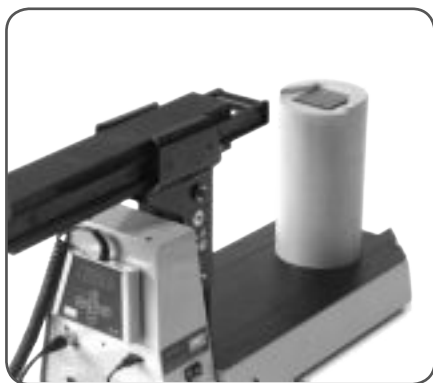
7. Troubleshooting

A system fault will be indicated by an acoustic signal and one of the following fault codes on the remote control display:

Display	Fault	Action
E03 E	Overheated coil	Wait until the induction coil cools. Switch the heater OFF and then back ON
E05 E	Temperature increase of less than 1°C (1.8°F) every 15 seconds (or every 30 seconds)	Check the temperature probe connection. If the connection is OK, select the 30 second interval as described in section 6 or operate the heater in TIME MODE
E06 E	Temperature probe not connected (or defective) or excessive temperature drop	Check the temperature probe
E10 E	Electronics communication problem	Switch the heater OFF and then back ON. If problem remains return the TIH to SKF for repair
E11 E	Electronics communication problem	Switch the heater OFF and then back ON. If problem remains return the TIH to SKF for repair
E12E	Electronics communication problem	Switch the heater OFF and then back ON. If problem remains return the TIH to SKF for repair

8. Spare parts

TIH 220-PMV	Power print 400 - 460V, 50 - 60 Hz
TIH 220-PLV	Power print 200 - 240V, 50 - 60 Hz
TIH 220-Y10	Yoke 70 x 70 x 430 mm
TIH 220-Y6	Yoke 40 x 40 x 430 mm
TIH 220-YS	Support yoke set - 70 x 70 x 150 mm (2x)
TIH CP	Control print
TIH RC	Remote control
TIH CB25A	Circuit breaker 25A for TIH 220m/MV
TIH CB50A	Circuit breaker 50A for TIH 220m/LV
TIH P20	Temperature probe K type incl. cable and plug



Déclaration de conformité CE	16
Recommandations en matière de sécurité	17
1. Introduction	18
1.1 Utilisation prévue.....	18
1.2 Principe de fonctionnement.....	18
1.3 Caractéristiques distinctives.....	19
2. Description	19
2.1 Composants.....	19
2.2 Caractéristiques techniques.....	20
3. Installation de la prise secteur	20
4. Préparation pour utilisation	21
5. Fonctionnement	22
5.1 Fonction des écrans	22
5.2 Fonction des boutons.....	22
5.3 Mode "TEMP MODE".....	22
5.4 Mode "Mode Durée"	23
5.5 Mesure de la température	23
5.6 Modification de l'unité de mesure de la température.....	24
5.7 Démagnétisation.....	24
5.8 Sélection du niveau de puissance.....	24
6. Dispositifs de sécurité	24
7. Dépannage	25
8. Pièces détachées	25

Traduction extraite du mode d'emploi d'origine

Déclaration de conformité CE

Nous,
SKF Maintenance Products
Kelvinbaan 16
3439 MT Nieuwegein
Pays-Bas

déclarons que le produit suivant:

Le Chauffage Par Induction SKF TIH 220M

a été conçu et fabriqué conformément à
la DIRECTIVE EUROPÉENNE RELATIVE AUX BASSES TENSIONS 2006/95/EC
la EMC DIRECTIVE 2004/108/EC, telle qu'elle est décrite dans la norme
harmonisée pour

EN61000-6-3:2007 /A1:2011

EN61000-6-2:2005

EN61000-4-2

EN61000-4-3

EN61000-4-4

EN61000-4-5

EN61000-4-6

EN61000-4-8

EN61000-4-11

DIRECTIVE EUROPÉENNE ROHS 2011/65/UE

Nieuwegein, Pays-Bas,
Le 1 novembre 2014



Sébastien David
Responsable Développement de Produits et Responsable Qualité



Recommandations en matière de sécurité

- Comme l'appareil TIH 220m produit un champ magnétique, il est vivement recommandé aux porteurs de stimulateur cardiaque de se tenir à une distance minimale de 5 mètres du TIH 220m pendant le fonctionnement de l'appareil. Tous les appareils électroniques tels que les montres-bracelets peuvent aussi être "dérégées" par ce champ magnétique.
- Lors du processus de chauffage, restez à une distance de sécurité de 50 cm de la pièce à chauffer, de la bobine de chauffage et du noyau.
- Observez bien attentivement et à tout moment toutes les instructions d'utilisation.
- S'assurer que la tension d'alimentation est correcte.
- Un arc électrique peut se produire lorsqu'il existe une différence de potentiel entre le TIH 220m et la pièce à chauffer. Cet arc électrique est inoffensif pour les êtres humains et n'endommage ni le TIH 220m ni la pièce à chauffer. Ne jamais utiliser le TIH 220m dans des zones comportant un risque d'explosion.
- Le TIH 220m ne doit pas être exposé à l'humidité en condensation ni au contact direct avec l'eau.
- Ne jamais toucher la bobine, le noyau, le barreau ou la pièce à chauffer pendant le chauffage.
- Ne jamais utiliser le TIH 220m sans la mise en place d'un barreau.
- Ne jamais utiliser le TIH 220m avec le câble de la commande à distance entre les supports verticaux du barreau.
- Ne jamais modifier le TIH 220m.
- Des outils de manutention adaptés doivent être utilisés pour soulever des pièces lourdes.
- Il faut éviter tout contact avec les pièces chauffées, surtout les cages des roulements qui sont généralement plus chaudes que les bagues. Pour leur manipulation, équipez-vous de gants résistants à la chaleur livrés TMBA G11 (voire G11H en option).
- Pendant l'utilisation d'un appareil de chauffage par induction, la température générée dans la bague intérieure du roulement sera plus élevée que celle dans la bague extérieure. Assurez-vous que l'expansion différente des bagues ne bloque pas les éléments roulants.
- Assurez-vous que le barreau est positionné de telle sorte que la face rectifiée soit orientée vers le bas et en parfait contact avec les faces rectifiées des supports verticaux.



1. Introduction

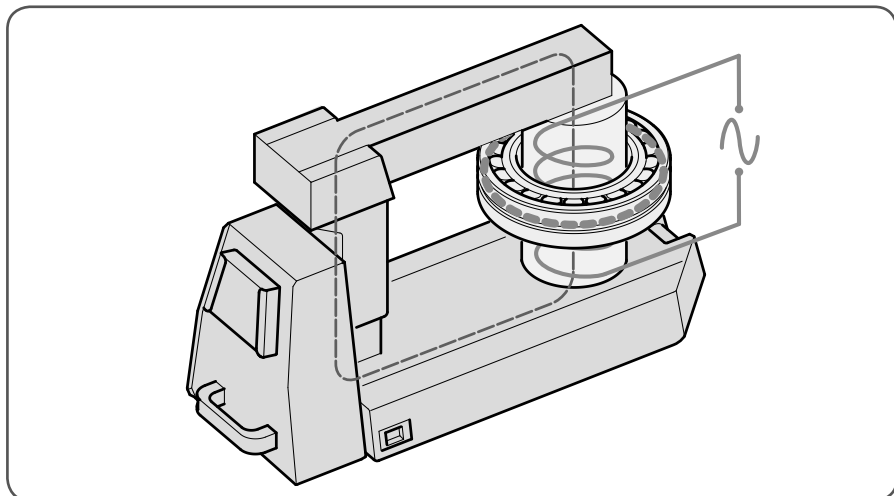
Le SKF TIH 220m est un appareil de chauffage par induction, conçu pour chauffer des roulements montés avec un ajustement serré sur un arbre. La chaleur produite dilate le roulement, et permet ainsi d'effectuer un montage sans endommager le roulement et sans effort. Un écart de température de 90 °C entre le roulement et l'arbre est en général suffisant pour le montage. À une température ambiante de 20 °C, le roulement doit donc être chauffé à 110 °C.

1.1 Utilisation prévue

Le TIH 220m a été conçu pour chauffer les roulements. Mais toute autre pièce métallique qui forme un circuit fermé peut également être chauffée. C'est le cas, par exemple, des bagues de serrage, des poulies, des pignons et des engrenages. Tous les roulements pouvant être positionnés soit autour de la bobine verticale (grise) à induction et soit entre les supports verticaux, avec impérativement l'un des barreaux supérieur mis en place, peuvent être chauffés grâce au TIH 220m de façon optimale (gain de temps et d'énergie). Suivant leur diamètre intérieur, les plus petits roulements seront en outre placés autour de l'un des deux barreaux horizontaux livrés en standards (on utilisera alors la fonction "réglage de puissance" à 100% ou 50%). Consultez les illustrations au début de ce manuel pour plus d'exemples.

1.2 Principe de fonctionnement

Le principe de fonctionnement du TIH 220m est comparable à celui d'un transformateur. Le courant électrique de haute tension et de faible intensité qui circule dans les nombreux enroulements de la bobine verticale à induction du TIH 220m produit un courant électrique de basse tension et de forte intensité dans la pièce à chauffer. La pièce à chauffer ayant les caractéristiques électriques d'une bobine avec un enroulement unique court-circuité, la haute intensité produit alors de la chaleur dans la pièce. La chaleur n'est donc produite qu'à l'intérieur de la pièce, toutes les pièces adjacentes de l'appareil restant froides.



1.3 Caractéristiques distinctives

- **Commande à distance**

Pour améliorer la facilité d'emploi et réduire le risque de contact avec le roulement à chauffer pendant l'opération, le chauffage TIH 220m est fourni avec une commande à distance que l'on peut détacher du chauffage pour se tenir à distance.

- **Bobine à induction**

Lors de son chauffage, la pièce peut-être placée sur le socle, autour et dans la même position que la bobine à induction verticale. Ce montage améliore considérablement l'efficacité de l'appareil, permet de réaliser des économies d'énergie et d'accélérer le processus de chauffage. Tout ceci combiné, entraîne une réduction importante des coûts de chauffage de chaque roulement.

- **Supports de roulement pliants**

Pour supporter de grands roulements disposés autour de la bobine à induction, le chauffage par induction TIH 220m est équipé de 2 supports de roulement qui se déplient. Voir les illustrations au début de ce manuel.

- **Barreau coulissant**

Pour faciliter la manipulation du barreau lors de la mise en place du roulement autour de la bobine à induction ou autour du barreau supérieur, le TIH 220m est doté d'un bras coulissant destiné seulement au grand barreau.

- **Rangement du petit barreau**

Le petit barreau peut être rangé à l'intérieur du chauffage afin de le protéger et d'avoir un ensemble compact. Les deux espaces de rangement possible de ce barreau se trouvent derrière les supports pliants. Voir les illustrations au début de ce manuel.

2. Description

Le fonctionnement du chauffage est commandé par le module de commande électronique, et ce suivant possède deux modes de fonctionnement:

L'utilisateur peut choisir de régler soit la température du roulement souhaitée en TEMP MODE (mode température) soit de fixer la durée pendant laquelle le roulement sera chauffé en TIME MODE (mode durée). Le niveau de puissance peut être réglé à 100% ou 50 % pour le chauffage plus lent de pièces sensibles (comme par exemple les petits roulements ou ceux à jeu réduit de type C1 ou C2).

2.1 Composants

Le chauffage par induction TIH 220m contient un noyau en fer en forme de U avec une bobine à induction qui entoure l'un des supports verticaux. Une commande à distance amovible est incluse. L'électronique de la commande à distance et l'électronique interne commandent le fonctionnement de l'appareil de chauffage.

Les barreaux amovibles dans la partie supérieure des supports verticaux permettent de placer la pièce à chauffer sur l'appareil de chauffage. Le plus grand des deux barreaux peut coulisser sur de son montant vertical. Un plus petit est également fourni en standard pour installer les pièces de diamètre inférieur. L'appareil est également équipé d'une sonde de température assurant la sécurité de chauffe à placer impérativement. Une paire de gants résistants à la chaleur (max 150°C) est livrée avec l'équipement.

Référence standard TIH 220m	
Tension ($\pm 10\%$) TIH 220m/MV TIH 220m/LV	400 - 460V / 50 - 60Hz 200 - 240V / 50 - 60Hz
Protection de ligne recommandée TIH 220m/MV TIH 220m/LV	Minimum recommandé 25 A Minimum recommandé 50 A
Consommation électrique (maximum)	10,0 - 11,5 kVA pour 400 - 460 V
Contrôle de température	0 à 250 °C par paliers de 1°C
Type de sonde	Thermocouple, de type K
Température maximale admissible par le capteur	250 °C
Mode Durée	0 - 60 minutes par paliers de 0,1 minute
Gamme de puissance	100% - 50%
Démagnétisation	automatique; magnétisme résiduel <2A/cm
Dimensions hors-tout (l x p x h)	750 x 290 x 440 mm
Espace entre supports (largeur x hauteur)	250 x 255 mm
Diamètre de la bobine	140 mm Pour un diamètre minimale d'alésage du roulement de 150 mm
Poids total (barreaux inclus)	86 kg
Poids maximum de la pièce à chauffer	Roulement : 300 kg Composant massif : 150 kg
Température maximale de chauffage	environ 400 °C
m_{20}^*	220 kg (roulement 23172)
Dimensions des barreaux standards :	Pour un alésage intérieur de roulement d'un diamètre minimum de :
70 x 70 x 430 mm	100 mm
40 x 40 x 430 mm	60 mm

* m_{20} représente le poids (kg) du roulement SRB 231 le plus lourd qui peut être chauffé de 20 à 110 °C en 20 minutes.

3. Installation de la prise secteur

Demandez à un électricien qualifié d'installer une prise électrique appropriée.

La tension d'alimentation correcte est indiquée au paragraphe 2.2.

Les fils doivent être branchés comme suit :

TIH 220m/MV, TIH 220m/LV avec 200V-3 phases, et toutes les configurations

en trois phases.

Couleurs des fils du TIH 220m/xx	Tension du secteur
jaune / vert	à la masse
bleu	phase 1
marron	phase 2

Raccordez le TIH 220m que sur deux des trois phases

TIH 220m/LV livré avec une seule phase

Couleurs des fils du TIH 220m/LV	Tension du secteur
jaune / vert	à la masse
bleu	neutre
marron	phase 1

4. Préparation pour utilisation

- Placez le TIH 220m à l'horizontale sur une surface stable et sans risque.
- Branchez la prise électrique au secteur.
- Branchez la commande à distance dans le connecteur situé du côté poignée de transport de l'appareil de chauffage.
- Glissez le barreau coulissant en position ouverte. Voir les illustrations au début de ce manuel.
- Pour des pièces dont le diamètre intérieur est assez large pour être placé sur la bobine à induction, procédez comme suit:
 - Ouvrez le support de roulement pliant et disposez-le comme indiqué sur les illustrations au début de ce manuel.
 - Posez la pièce à chauffer autour de la bobine à induction en vous servant d'un équipement de levage approprié.
 - Pour une meilleure performance, positionnez la pièce à chauffer de telle sorte que la bobine à induction soit au centre du roulement ou de la pièce.
 - Fermez le plus grand barreau coulissant de manière à ce qu'il recouvre complètement le haut des deux supports verticaux.
- Pour des pièces à chauffer qui ne peuvent être placées sur la bobine à induction, procédez comme suit:
 - Choisissez le plus grand des deux barreaux qui peut passer par le diamètre interne de la pièce à chauffer.
 - Faites glisser la pièce dans le barreau que vous avez choisi.
 - Placez le barreau sur le TIH 220m, en faisant en sorte que la seule face inférieure brillante repose uniformément sur les deux supports verticaux.
- Pour les pièces mécaniques lourdes qui doivent être installées sur le barreau support, une attention particulière doit être apportée pour que le barreau recouvre totalement la partie supérieure de la bobine. Le chauffe roulement risque sinon de basculer et de mettre l'opérateur en danger.
- Si vous souhaitez utiliser le mode « TEMP MODE », branchez le capteur de

température dans le connecteur situé du côté poignée de transport de l'appareil de chauffage. Placez l'extrémité magnétique du capteur sur la bague intérieure du roulement ou sur la surface la plus interne de la pièce à chauffer.

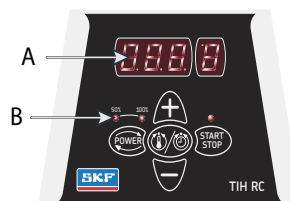
- Mettez l'appareil TIH 220m sous tension.
- Attendez le test automatique de l'écran et du signal de la commande à distance.

5. Fonctionnement

5.1 Fonction des écrans

- A L'écran de la commande à distance affiche la durée ou la température de chauffage choisie.
 B Les DEL (diodes électroluminescentes) de puissance indiquent la puissance choisie.

Affichage	Indication
t	durée en minutes
°C	température en degrés Celsius
°F	température en degrés Fahrenheit



5.2 Fonction des boutons

Bouton	Fonction
POWER	Appuyez pour régler la puissance. La puissance sélectionnée est indiquée par une LED lumineuse
MODE	Appuyez sur ce bouton pour passer du mode "TIME MODE" au mode "TEMP MODE" et vice-versa
UP (+)	Appuyez sur ce bouton pour accroître la valeur affichée sur l'écran de la commande à distance
DOWN (-)	Appuyez sur ce bouton pour réduire la valeur affichée sur l'écran de la commande à distance
START / STOP	Appuyez sur ce bouton pour démarrer ou arrêter le chauffage. La LED du bouton START / STOP est allumée lorsque le chauffage chauffe et clignote pendant la mesure de la température

5.3 Mode "TEMP MODE"

- Si l'écran de la commande à distance affiche « t », appuyez sur MODE pour sélectionner le mode « TEMP MODE ». L'écran de la commande à distance affiche °C ou °F en MODE TEMP.
- La température sélectionnée est indiquée sur l'écran de la commande à distance. La température par défaut pour chauffer des roulements est de 110 °C. Si vous souhaitez régler sur une température différente, appuyez sur UP (pour l'augmenter) ou DOWN (pour la réduire) pour régler la température par paliers de 1°.
- Il peut être souhaitable de chauffer les roulements à des températures supérieures à 110 °C pour une durée de montage accrue. Consultez les spécifications de roulements de SKF pour déterminer la température maximale admissible par chaque roulement.

Assurez-vous que le roulement ne se bloque pas en raison d'une dilatation excessive de la bague intérieure par rapport à la bague extérieure. Voir paragraphe 5.8.

- Si nécessaire, appuyez sur POWER pour sélectionner le niveau de puissance. Utilisez les consignes décrites au paragraphe 5.8 pour déterminer la puissance adaptée.
- Assurez-vous que le capteur de température est monté sur la bague intérieure du roulement.
- Appuyez sur la touche START / STOP pour allumer l'appareil. L'écran de la commande à distance affiche la température actuelle de la pièce.
- Pendant le chauffage, on peut faire afficher la température sélectionnée en appuyant sur MODE pendant 1 seconde.
- Lorsque la température sélectionnée a été atteinte, l'appareil démagnétise la pièce automatiquement, s'arrête et produit un signal sonore pendant 10 secondes ou jusqu'à ce que le bouton START / STOP soit enfoncé.
- Appuyez sur la touche START / STOP pour arrêter le signal sonore et le chauffage par induction.
- Enlevez la pièce à l'aide d'équipements de levage appropriés.
- Si la pièce reste sur l'appareil de chauffage, celui-ci redémarre lorsque la température de la pièce baisse de 10 °C. Appuyez sur la touche START / STOP pour arrêter l'appareil et démagnétiser la pièce.
- Le TIH 220m est maintenant prêt à chauffer une autre pièce avec les mêmes valeurs.

5.4 Mode "Mode Durée"

- Si l'écran de la commande à distance affiche °C ou °F, appuyez sur MODE pour sélectionner le mode durée (« TIME MODE »). L'écran de la commande à distance affiche alors « t » en mode durée (« TIME MODE »)
- Appuyez sur UP (pour augmenter) ou sur DOWN (pour baisser) pour régler la durée par intervalles de 0,1 minute.
- Appuyez sur POWER pour sélectionner la puissance désirée. Utilisez les consignes décrites au paragraphe 5.8 pour déterminer la puissance adaptée.
- Appuyez sur la touche START / STOP pour allumer l'appareil. L'écran de la commande à distance affiche la durée de chauffage restante.
- Pendant le chauffage, on peut faire afficher pendant quelques secondes la température mesurée par le capteur en appuyant sur le bouton MODE.
- Lorsque la durée sélectionnée a expiré, l'appareil démagnétise la pièce, s'arrête et produit un signal sonore pendant 10 secondes.
- Appuyez sur la touche START / STOP pour arrêter le signal sonore et le chauffage par induction.
- Enlevez la pièce à l'aide d'équipements de levage appropriés.
- Le TIH 220m est maintenant prêt à chauffer une autre pièce avec les mêmes valeurs.

5.5 Mesure de la température

Lorsque l'appareil n'est pas en marche la température de la pièce peut être mesurée en appuyant sur MODE et START / STOP en même temps. La LED du bouton START / STOP clignote pendant la mesure de température. Pour annuler la mesure de température appuyez sur la touche START / STOP.

5.6 Modification de l'unité de mesure de la température

Appuyer simultanément sur les boutons MODE et UP pour passer d'une unité de mesure à une autre (de °C à °F). Le paramètre « unité de température » est conservé même après mise hors tension de l'appareil.

5.7 Démagnétisation

La pièce est automatiquement démagnétisée lorsque le chauffage est terminé. La démagnétisation ne se produira pas en cas de coupure d'électricité ou si l'interrupteur principal est éteint. Pour utiliser le TIH 220m uniquement pour la démagnétisation, sélectionnez le mode "TIME MODE" et fixez la durée à 0,1 minute (6 secondes).

5.8 Sélection du niveau de puissance

Lors du chauffage de roulements avec un appareil de chauffage par induction, la plus grande partie de la chaleur sera produite au niveau de la bague intérieure du roulement. La chaleur se transfère ensuite progressivement au roulement. Il est donc important de chauffer lentement les roulements qui présentent un jeu interne faible. Le chauffage lent permet au roulement de se dilater uniformément afin de ne pas l'endommager.

La forme, le poids, la taille et les jeux internes sont des caractéristiques importantes quand on parle de la durée nécessaire pour chauffer un roulement. Compte tenu de la grande variété de types de roulements existants, il est difficile de fournir un niveau de puissance spécifique pour chaque type. Nous pouvons néanmoins vous donner les recommandations suivantes:

- Pour les roulements sensibles (y compris les roulements à jeu interne C1 ou C2) ou les roulements à cage en laiton, ne pas dépasser 50% de puissance.
- Si vous utilisez le petit barreau, ne dépassez jamais 50% de puissance.

Pour les roulements rotulants (à rotules sur rouleaux SRB ou à rouleaux toroïdaux CARB®), une attention particulière doit être apportée lors d'un chauffage en position horizontale et du montage consécutif notamment sur des arbres verticaux. Le poids des rouleaux fera toujours en sorte que ceux-ci se retrouvent dans la position la plus basse possible : ils seront alors en contacts avec les deux pistes du roulement, réduisant ainsi le jeu interne. Pour les roulements SRB ou CARB® de grandes dimensions avec des rouleaux les plus lourds, nous recommandons fortement l'utilisation de bagues de centrage. La bague de centrage pour rouleaux garde les rouleaux en une position centrée par rapport aux pistes de roulement durant les phases de chauffage et de montage.

6. Dispositifs de sécurité

Le TIH 220m est équipé des dispositifs de sécurité suivants:

- Protection automatique contre la surchauffe.
- Contrôle automatique de courant.
- Disjoncteur de surintensité.
- En mode « TEMP MODE », l'appareil s'éteint automatiquement si le capteur de température n'enregistre pas une augmentation de température de 1 °C toutes les 15 secondes (0,25 minute). Pour faire passer cet intervalle à 30 secondes (0,50 minute), appuyez simultanément sur les boutons MODE et DOWN.

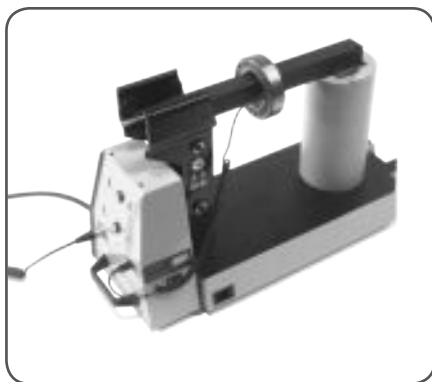
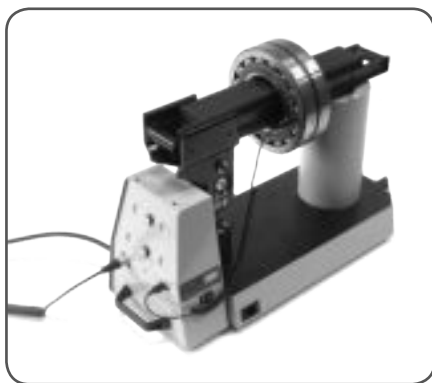
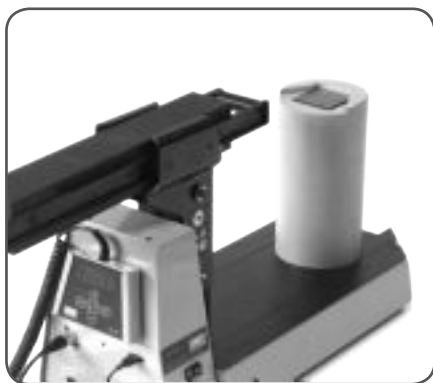
7. Dépannage

Une erreur de système sera indiquée par un signal sonore et l'un des codes d'erreur suivants s'affichera automatiquement sur l'écran de la commande à distance:

Affichage	Erreur	Action
E03 E	Surchauffe de la bobine	Attendre que la bobine à induction refroidisse. Eteindre puis rallumer l'appareil de chauffage
E05 E	La température n'augmente pas d'au moins 1 °C toutes les 15 secondes (ou 1° toutes les 30 secondes)	Vérifier le branchement du capteur de température sur la pièce. S'il est bien branché, sélectionner l'intervalle de 30 secondes comme indiqué au paragraphe 6 ou faire fonctionner l'appareil en mode "TIME MODE"
E06 E	Le capteur de température est débranché (ou défectueux) ou la baisse de température est excessive	Vérifier le capteur de température
E10 E	Problème de communication électronique chauffage	Eteindre puis rallumer l'appareil de Si le problème persiste, prenez contact avec votre interlocuteur habituel SKF pour envisager une réparation
E11 E	Problème de communication électronique	Eteindre puis rallumer l'appareil de chauffage. Si le problème persiste, prenez contact avec votre interlocuteur habituel SKF pour envisager une réparation
E12E	Problème de communication électronique	Eteindre puis rallumer l'appareil de chauffage. Si le problème persiste, prenez contact avec votre interlocuteur habituel SKF pour envisager une réparation

8. Pièces détachées

TIH 220-PMV	Carte de puissance 400 - 460V, 50 - 60 Hz
TIH 220-PLV	Carte de puissance 200 - 240V, 50 - 60 Hz
TIH 220-Y10	Barreau 70 x 70 x 430 mm
TIH 220-Y6	Barreau 40 x 40 x 430 mm
TIH 220-YS	eu de supports de barreaux - 70 x 70 x 150 mm (2x)
TIH CP	Carte de contrôle
TIH RC	Commande à distance
TIH CB25A	Disjoncteur 25 A pour TIH 220m/MV
TIH CB50A	Disjoncteur 50 A pour TIH 220m/LV
TIH P20	Capteur / sonde de température, type K, câble et fiche inclus



CE Konformitätserklärung	28
Sicherheitshinweise	29
1. Einführung	30
1.1 Zweckbestimmung	30
1.2 Arbeitsweise	30
1.3 Herausragende Merkmale.....	31
2. Beschreibung	31
2.1 Bestandteile.....	31
2.2 Technische Daten.....	32
3. Netzanschluss	32
4. Aufstellung und Inbetriebnahme.....	33
5. Bedienung.....	34
5.1 Bedienfeld, Anzeigefunktionen.....	34
5.2 Bedienfeld, Tastenfunktionen.....	34
5.3 Temperatur-Automatik.....	34
5.4 Zeit-Automatik	35
5.5 Thermometermodus.....	35
5.6 Ändern der Temperatureinheit	36
5.7 Entmagnetisierung.....	36
5.8 Leistungsrosselung.....	36
6. Sicherheitseinrichtungen	36
7. Fehlersuche	37
8. Ersatzteil- Liste.....	37

Übersetzung der Original-Bedienungsanleitungen

CE Konformitätserklärung

Die,
SKF Maintenance Products
Kelvinbaan 16
3439 MT Nieuwegein
Niederlande

erklärt hiermit, dass der:

SKF Induktions-Anwärmgerät TIH 220m

in Übereinstimmung mit folgenden EU Richtlinien und Normen konstruiert und hergestellt wurde: EUROPÄISCHEN NIEDERSPANNUNGSRICHTLINIE 2006/95/EC, EMC DIRECTIVE 2004/108/EC gemäß harmonisierter Norm für EN61000-6-3:2007 /A1:2011
EN61000-6-2:2005
EN61000-4-2
EN61000-4-3
EN61000-4-4
EN61000-4-5
EN61000-4-6
EN61000-4-8
EN61000-4-11

EUROPEAN ROHS DIRECTIVE 2011/65/EU
konstruiert und hergestellt wurde.

Nieuwegein, in den Niederlanden,
November 2014



Sébastien David
Leiter Produktentwicklung und Qualität



Sicherheitshinweise

- Da das Induktionsheizgerät TIH 220m ein Magnetfeld erzeugt, sollten Personen mit einem Herzschrittmacher einen Mindestabstand von 5 m zum TIH 220m einhalten, wenn dieses in Betrieb ist. Auch andere empfindliche elektronische Geräte, z. B. Armbanduhrer können durch dieses Magnetfeld beeinflusst werden.
- Während des Anwärmvorgangs muss ein Sicherheitsabstand von 50 cm zum Werkstück, der Heizungsspule und dem Kern eingehalten werden.
- Immer die Bedienungsanleitung beachten.
- Sicherstellen, dass Geräte- und Netzspannung übereinstimmen.
- Bei größeren Werkstücken kann es vorkommen, dass sich ein Potentialunterschied zwischen Werkstück und Joch einstellt, der zu Spannungsüberschlägen mit Lichtbogenbildung führen kann. Dies stellt aber keine Gefahr für Personen oder das Werkstück dar. Das TIH 220m darf jedoch niemals in Bereichen verwendet werden, in denen Explosionsgefahr besteht.
- Das TIH 220m darf nicht hoher Luftfeuchtigkeit oder direktem Kontakt mit Wasser ausgesetzt werden.
- Niemals Spule, Kern, Joch oder Werkstück des TIH 220m während des Anwärmens berühren.
- Anwärmgerät nie einschalten oder betreiben, ohne dass ein Joch aufliegt.
- Bedienteil und Leitung niemals in das Magnetfeld unter dem Joch bringen.
- Anwärmgerät niemals verändern.
- Beim Heben schwerer Werkstücke geeignetes Handhabungsgerät verwenden.
- Werkstücke nur mit geeigneter Schutzrüstung handhaben, speziell Lagergehäuse, die wärmer sind als die Ringe. Angewärmte Werkstücke mit den mitgelieferten Wärmeschutzhandschuhen handhaben.
- Beim Induktions-Anwärmen ist die Temperatur im Lagerinnenring höher als die im Lageraußenring. Sicherstellen, dass die Ausdehnung der Ringe die Wälzkörper nicht blockiert.
- Sicherstellen, dass das Joch mit den Grundflächen nach unten, und mit dem richtigen Kontakt zum Kern vertikal positioniert ist.



1. Einführung

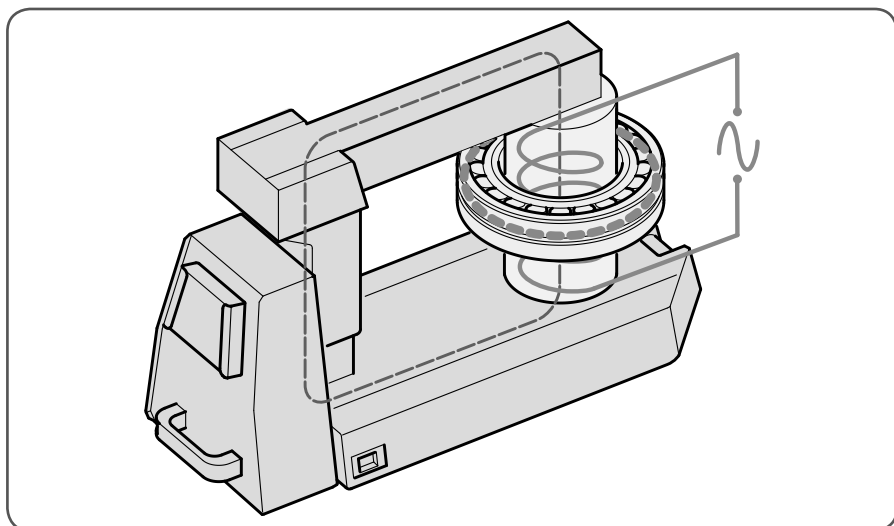
Das TIH 220m Induktions-Anwärmgerät wird zum Erwärmen von Wälzlagern eingesetzt die mit festem Sitz auf der Welle montiert werden müssen. Der im Lager induzierte Strom führt zur Erwärmung und Aufweitung der Lagerbohrung und ermöglicht somit ein einfaches Aufschieben auf die Welle. Ein Temperaturunterschied zwischen Lager und Welle von ca. 90 °C ist dafür ausreichend. Bei einer Umgebungstemperatur von 20 °C muss das Lager somit auf eine Temperatur von 110 °C erwärmt werden.

1.1 Zweckbestimmung

Das Induktions-Anwärmgerät TIH 220m ist zum Anwärmen von Wälzlagern ausgelegt. Es können jedoch auch andere ringförmige Bauteile wie, Buchsen, Schrupfringe, Riemenscheiben und Zahnräder erwärmt werden, sofern sie aus Metall sind und einen geschlossenen Kreis bilden. Mit dem TIH 220m können alle Lager angewärmt werden, die bei aufgelegtem Joch über die Induktionsspule und zwischen die vertikalen Halterungen passen. Kleinere Lager, die nicht über die Induktionsspule passen, können zum Erwärmen auf eines der zwei mitgelieferten Standardjochs gesetzt werden. Siehe auch Abbildungen am Anfang dieser Bedienungsanleitung.

1.2 Arbeitsweise

Ein Induktionsanwärmgerät kann mit einem Transformator verglichen werden. Das zu erwärmende Wälzlager bildet dabei die Sekundärspule mit einer kurzgeschlossenen Windung, durch die bei niedriger Spannung ein Wechselstrom hoher Stromstärke fließt. Dadurch erwärmt sich das Lager, Anwärmgerät und Joch bleiben nahezu auf Umgebungstemperatur.



- **Abnehmbares Bedienteil**
Das Bedienfeld des TIH 220m ist als Fernbedienung ausgeführt und vom Gerät abnehmbar. Das vereinfacht die Bedienung und ermöglicht das Arbeiten mit Abstand zum Werkstück während des Anwärmens.
- **Induktionsspule**
Die Induktionsspule befindet sich außerhalb des Gehäuses, direkt im Zentrum des anzuwärmenden Werkstücks. Diese Anordnung führt zu höherer Effizienz bei geringerem Stromverbrauch und schnellerem Erwärmen, wodurch die Kosten für das Erwärmen der Lager reduziert werden.
- **Ausschwenkbare Auflageschenkel**
Um das Anwärmen von Werkstücken mit größerem Durchmesser zu ermöglichen, ist das TIH 220m mit ausschwenkbaren Auflageschenkeln ausgestattet. Siehe auch Abbildungen zu Beginn dieser Bedienungsanleitung.
- **Gleitjoch**
Beim TIH 220m wird das große Joch als Gleitjoch angebracht, um die Bestückung zu vereinfachen.
- **Jochaufbewahrung**
Das kleine Joch kann im Innern des Anwärmgeräts aufbewahrt werden. Es wird in den integrierten Jochbehältern aufbewahrt, die sich hinter den ausschwenkbaren Auflageschenkeln befinden. Siehe auch Abbildungen zu Beginn dieser Bedienungsanleitung.

2. Beschreibung

Die Anwärmphase wird elektronisch geregelt, und zwar mit ZEITAUTOMATIK, mit der man die Anwärmzeit vorwählt, oder mit TEMPERATURAUTOMATIK, mit der die gewünschte Temperatur vorgegeben wird. Das Anwärmgerät kann auch auf 50% Leistung gedrosselt werden. Diese Umschaltmöglichkeit wird dann genutzt, wenn kleine Joche verwendet werden oder die Gefahr besteht, dass empfindliche Werkstücke zu schnell erwärmt werden, z. B. Lager mit C1- oder C2-Luft.

2.1 Bestandteile

Das Induktions-Anwärmgerät TIH 220m besteht im wesentlichen aus einem U-förmigen Eisenkern mit einer großen Induktionsspule um einen der Schenkel. Das Bedienfeld ist als Fernbedienung ausgeführt und vom Gerät abnehmbar. Die Regelung des Induktions-Anwärmgeräts erfolgt vollelektronisch. Das Joch ist abnehm- und austauschbar, serienmäßig gehören zwei Joche zum Lieferumfang. Werkstücke mit großem Innendurchmesser werden auf das Gerät über die Induktionsspule gelegt, Werkstücke mit kleinerem Durchmesser können auf dem Joch angewärmt werden. Die Werkstücktemperatur wird mit einem magnetischen Temperaturfühler überwacht. Wärmeschutzhandschuhe zur Handhabung angewärmter Werkstücke gehören zum Lieferumfang.

TIH 220m	
Netzspannung ($\pm 10\%$) TIH 220m/MV TIH 220m/LV	400 - 460V / 50 - 60Hz 200 - 240V / 50 - 60Hz
Empfohlene Versicherung TIH 220m/MV TIH 220m/LV	Mindestanforderung 25 A Mindestanforderung 50 A
Maximale Leistungsaufnahme	10,0 - 11,5 kVA bei 400 - 460 V
Temperaturautomatik	0 - 250 °C in Schritten von 1°
Magnetischer Temperaturfühler	Thermoelement, Typ K
Maximaltemperatur (Fühler)	250 °C
Zeitautomatik	0 - 60 minutes; in 0,1-Minuten-Schritten
Leistungsrosselung	Zweistufig, 50 oder 100%
Entmagnetisierung	automatisch; Restmagnetismus <2A/cm
Abmessungen (B x T x H)	750 x 290 x 440 mm
Bereich zwischen Halterungen (Breite x Höhe)	250 x 255 mm
Spulendurchmesser	140 mm Min. Bohrungsdurchmesser des 150 mm
Gewicht (mit Jochen)	86 kg
Maximal Gewicht	Wälzlager: 300 kg Massiv-Werkstück: 150 kg
Maximaltemperatur	ca 400 °C
m_{20}^*	220 kg (Pendelrollenlager der Reihe 23172)
Standardjoch: 70 x 70 x 430 mm 40 x 40 x 430 mm	Für Lager mit einem Bohrungsdurchmesser ab: 100 mm 60 mm

* m_{20} bezeichnet die Masse eines Pendelrollenlagers der Reihe 231, das mit dem Anwärmgerät in 20 Minuten von 20 auf 110 °C erwärmt werden kann.

3. Netzanschluss

Der Anschluss an das Stromnetz hat durch eine qualifizierte Elektrofachkraft zu erfolgen. Angaben über die entsprechende Versorgungsspannung entnehmen Sie bitte Abschnitt 2.2 Technische Daten.

Die einzelnen Leiter der Anschlussleitung sind wie folgt anzuschließen:

TIH 220m/MV, TIH 220m/LV mit 200 V-3 Leiter, sowie alle anderen drei

Versorgungsleiter

Leiterfarbe am TIH 220m/xx	Anschließen an
grün / gelb	Schutzleiter
blau	Außenleiter 1 (L1)
braun	Außenleiter 2 (L2)

Schließen Sie das TIH 220m nur an zwei der drei Leiter an.

TIH 220m/LV mit Einzelleiter Versorgung

Leiterfarbe am TIH 220m/LV	Anschließen an
grün / gelb	Schutzleiter
blau	Neutralleiter
braun	Außenleiter 1 (L1)

4. Aufstellung und Inbetriebnahme

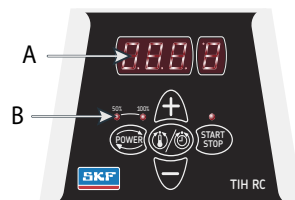
- Das Gerät auf eine waagerechte und stabile Unterlage stellen.
- Den Netzstecker an eine geeignete Stromquelle anschließen.
- Das Bedienteil an das Gerät anschließen (Buchse auf der Rückseite, links über Tragegriff).
- Das Gleitjoch in eine offene Position bewegen. Siehe auch Abbildungen zu Beginn dieser Bedienungsanleitung.
- Bei Werkstücken, die auf die Induktionsspule gesetzt werden können, wie folgt vorgehen:
 - Die ausschwenkbaren Auflageschenkel öffnen und wie auf den Abbildungen zu Beginn dieser Bedienungsanleitung positionieren.
 - Das Werkstück mit den entsprechenden Handhabungswerkzeugen so auf das Gerät auflegen, dass sich die Induktionsspule innerhalb der Werkstückbohrung befindet.
 - Für optimale Leistung das Werkstück zentrieren, so dass sich die Induktionsspule genau im Zentrum der Bohrung befindet.
 - Das Gleitjoch schließen, bzw. Joch auf die Schenkel auflegen.
- Bei Werkstücken, die nicht über die Induktionsspule passen, wie folgt vorgehen:
 - Das Joch mit dem größten Querschnitt wählen, das noch durch die Bohrung des Werkstücks passt.
 - Das Joch in die Bohrung des Werkstücks einführen.
 - Das Joch mit dem Werkstück so auf dem TIH 220m platzieren, dass es mit der metallischen Unterseite gleichmäßig auf beiden vertikalen Auflagehalterungen aufliegt.
- Bei Verwendung der TEMPERATUR-AUTOMATIK, den Temperaturfühler an das Gerät anschließen (Buchse auf der Rückseite, rechts über Tragegriff). Den magnetischen Temperaturfühler auf den Innenring des Lagers oder nahe der Bohrung des Werkstücks ansetzen.
- Das Gerät einschalten.
- Den Selbsttest auf der Anzeige des Bedienfelds bis zum Signalton beobachten.

5. Bedienung

5.1 Bedienfeld, Anzeigefunktionen

- A "Das Fernbedienungsdisplay zeigt außerhalb des Anwärmbetriebs die eingestellte Anwärmzeit oder Anwärmtemperatur an.
 B "Die LEDs oberhalb der POWER-TASTE zeigen die gewählte Leistungseinstellung an.

Anzeige	Bedeutung
t	Zeit in Minuten
°C	Temperatur in °C
°F	Temperatur in °F



5.2 Bedienfeld, Tastenfunktionen

Taste	Funktion
POWER	Leistungs-drosselung, Taste zur Einstellung der Leistung Die gewählte Leistung wird durch LED's oberhalb der Taste angezeigt
MODE (mittlere Taste)	Wechsel zwischen der Zeit-Automatik (TIME MODE) und der Temperatur-Automatik (TEMP MODE)
UP (+)	Wert erhöhen
DOWN (-)	Wert verringern
START / STOP	Ein- und Ausschalten des Geräts. Die LED oberhalb der START / STOP-Taste leuchtet während des Anwärmvorgangs und blinkt während der Temperaturmessung

5.3 Temperatur-Automatik

- Zeigt die Anzeige des Bedienfelds "t" an, auf MODE drücken, um die TEMPERATUR-AUTOMATIK zu wählen. Die Anzeige zeigt °C oder °F bei gewählter TEMPERATUR-AUTOMATIK (TEMP MODE).
- Die Soll-Temperatur wird angezeigt. Die Voreinstellung für Lager ist 110 °C. Wird eine andere Soll-Temperatur benötigt, kann die gewünschte Temperatur mit den Tasten UP und DOWN in 1 °C Schritten eingestellt werden..
- Bei länger andauernden Montagevorgängen können eventuell Temperaturen von über 110 °C erforderlich werden. Bei Wälzlagern dürfen dabei keinesfalls die höchstzulässigen Temperaturen überschritten werden, die von den Lagerringen, von den Dichtungen, vom Käfig und/oder vom Schmierstoff abhängen können. Die höchstzulässigen Temperaturen für SKF Wälzlager können u. a. dem SKF Hauptkatalog entnommen werden. In jedem Fall ist jedoch darauf zu achten, dass infolge ungleicher Ausdehnung von Innenring und Außenring die Wälzkörper nicht zwischen den Ringen verspannt werden. Siehe auch Abschnitt 5.8.

- Zur Auswahl der Leistungsstufe ggf. die Taste POWER drücken. Für die Bestimmung der korrekten Einstellung auch die Richtlinien in Abschnitt 5.8. beachten.
- Der magnetische Temperaturfühler muss bei Wälzlagern am Innenring, bei anderen Werkstücken nahe der Bohrung angebracht werden.
- Um den Anwärmvorgang zu starten, die Taste START / STOP drücken. Auf der Anzeige des Bedienfelds wird die Ist-Temperatur des Werkstücks angezeigt.
- Während des Anwärmvorgangs kann die Soll-Temperatur für 1 Sekunde durch Drücken der Taste MODE angezeigt werden.
- Sobald die Soll-Temperatur erreicht wird, entmagnetisiert das Anwärmgerät das Werkstück und erzeugt für 10 Sekunden, oder bis zur Betätigung der Taste START / STOP, ein akustisches Signal.
- Der Anwärmvorgang kann jederzeit mit der Taste START / STOP abgebrochen werden.
- Das Werkstück mit geeignetem Handhabungsgerät vom Anwärmgerät abnehmen.
- Verbleibt das Werkstück auf dem Gerät, wird es, sobald die Temperatur des Werkstücks um 10 °C fällt, erneut angewärmt. Um den Anwärmvorgang abubrechen, die Taste START / STOP drücken.
- Das TIH 220m ist nun zum Anwärmen anderer Werkstücke mit den gleichen Einstellungen bereit.

5.4 Zeit-Automatik

- Zeigt die Anzeige des Bedienfelds °C oder °F an, auf MODE drücken, um die ZEIT-AUTOMATIK (TIME MODE) auszuwählen. Die Anzeige zeigt "t" bei gewählter ZEIT-AUTOMATIK (TIME MODE).
- Die gewünschte Anwärmzeit kann mit den Tasten UP und DOWN in Schritten von 0,1 Minuten eingestellt werden.
- Zur Wahl der Leistungsstufe ggf. die Taste START / STOP drücken. Für die Bestimmung der korrekten Einstellung auch die Richtlinien in Abschnitt 5.8. beachten
- Um den Anwärmvorgang zu starten, die Taste START / STOP drücken. In der Anzeige des Bedienfelds wird die noch verbleibende Anwärmzeit angezeigt.
- Während des Anwärmvorgangs kann die gemessene Werkstück-Temperatur für 1 Sekunde durch Drücken der Taste MODE angezeigt werden.
- Nach Ablauf der Zeit, entmagnetisiert das Anwärmgerät das Werkstück das Werkstück und erzeugt für 10 Sekunden, oder bis zur Betätigung der Taste START / STOP, ein akustisches Signal.
- Der Anwärmvorgang kann jederzeit mit der Taste START / STOP abgebrochen werden.
- Das Werkstück mit geeignetem Handhabungsgerät vom Anwärmgerät abnehmen.
- Das TIH 220m ist nun zum Anwärmen anderer Werkstücke mit den gleichen Einstellungen bereit.

5.5 Thermometermodus

Der Thermometermodus kann durch gleichzeitiges Drücken der Tasten MODE und START / STOP aktiviert werden, vorausgesetzt, das Gerät ist inaktiv. Im Thermometermodus zeigt die Anzeige des Bedienfelds fortlaufend die vom Temperaturfühler gemessene Temperatur an. Dabei blinkt die LED der START / STOP-Taste. Der Thermometermodus kann jederzeit mit der Taste START / STOP abgebrochen werden.

5.6 Ändern der Temperatureinheit

Gleichzeitig die Tasten MODE und UP drücken, um zwischen °C und °F umzuschalten. Die eingestellte Temperatureinheit bleibt gespeichert, auch wenn das Gerät vom Netz getrennt wird.

5.7 Entmagnetisierung

Am Ende des Anwärmvorgangs wird das Werkstück automatisch entmagnetisiert. Eine Entmagnetisierung erfolgt jedoch nicht, wenn die Stromzufuhr unterbrochen oder der Hauptschalter ausgeschaltet wird. Um das TIH 220m nur zur Entmagnetisierung zu verwenden, die ZEIT-AUTOMATIK (TIME MODE) wählen und die Zeit auf 0,1 Minute (6 Sekunden) einstellen.

5.8 Leistungsdrosselung

Beim Anwärmen von Wälzlagern mit einem Induktions-Anwärmgerät erwärmt sich primär der Innenring. Die Wärme breitet sich dann über die Wälzkörper in den Außenring aus. Daher ist es notwendig, Lager mit reduzierter Lagerluft langsam, mit gedrosselter Leistung anzuwärmen. Dadurch wird sichergestellt, dass sich die Teile des Lagers gleichmäßig ausdehnen und Schäden am Lager vermieden werden. Die erforderliche Leistung zum Erwärmen eines Wälzlagers hängt von Faktoren wie Bauart, Größe, Gewicht und Lagerluft ab. Auf Grund der Vielzahl an unterschiedlichen Lagerbauarten, Reihen und Größen können keine Angaben zu einzelnen Lagern gemacht werden. Stattdessen werden folgende Empfehlungen zur Einstellung der Leistung gegeben:

- "Lager mit kleiner Lagerluft (C1, C2) oder Lager mit Messingkäfigen sollten mit auf 50% gedrosselter Leistung angewärmt werden.
- Beim Erwärmen von Werkstücken mit dem kleinen Joch nie eine Leistung von 50% überschreiten.

Bei Pendelrollen- oder CARB Lagern ist beim Anwärmen in horizontaler Position und anschließender Montage, besonders auf vertikalen Wellen, spezielle Vorsicht geboten. Das Gewicht der Rollen wird diese immer in der niedrigsten Position halten: sie berühren beide Laufbahnen, dies verringert das interne Spiel. Bei großen Pendelrollen- oder CARB Lagern mit schweren Rollen empfehlen wir dringend die Verwendung eines Zentrierrings für Rollen. Ein solcher Zentrierring hält die Rollen während des Anwärmprozesses und der Montage mittig zur Laufbahn in Position.

6. Sicherheitseinrichtungen

Das TIH 220m ist mit den folgenden Schutzeinrichtungen ausgerüstet:

- "Übertemperatur-Schutzeinrichtung
- "Automatische Stromregelung
- "Überstromschuttschalter.
- "Beim Betrieb mit TEMPERATUR-AUTOMATIK (TEMP MODE) wird der Erwärmvorgang abgebrochen, wenn nicht innerhalb 15 Sekunden ein Temperaturanstieg von 1 °C registriert wird. Um dieses Intervall auf 30 Sekunden zu erhöhen, gleichzeitig die Tasten MODE und DOWN drücken.

7. Fehlersuche

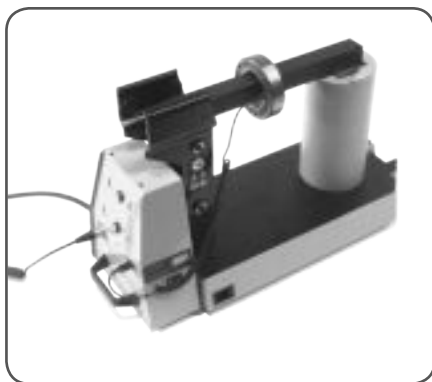
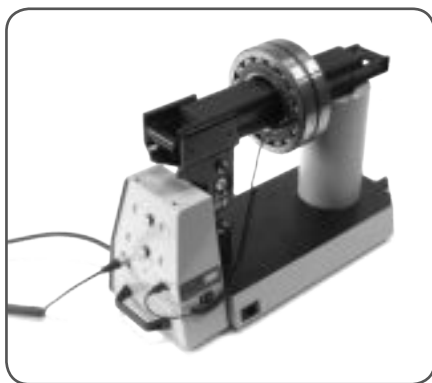
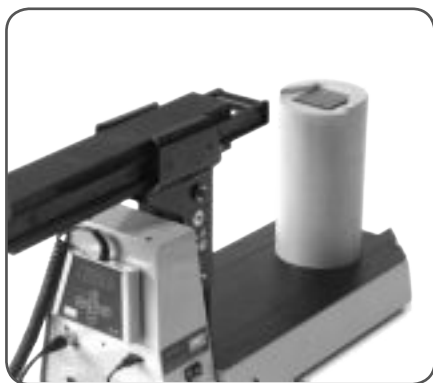
Ein Systemfehler wird durch ein akustisches Signal und einen der folgenden Fehlercodes auf der Anzeige des Bedienteils angezeigt:

Anzeige	Fehler	Maßnahme
E03 E	Induktionsspule überhitzt	Warten, bis die Induktionsspule abkühlt Das Gerät aus und wieder einschalten
E05 E	Temperaturanstieg von weniger als 1 °C alle 15 Sekunden (oder 1° alle 30 Sekunden)	Den Anschluss des Temperaturfühlers überprüfen. Ist der Temperaturfühler richtig angeschlossen und funktionsbereit, das 30-Sekunden-Intervall wählen wie in Abschnitt 6 beschrieben, oder Gerät in TIME MODE (ZEIT-AUTOMATIK)betreiben
E06 E	Der Temperaturfühler ist nicht angeschlossen (oder defekt) oder übermäßiger Temperaturabfall	Den Temperaturfühler überprüfen
E10 E	Kommunikationsproblem in der Elektronik	Das Gerät aus und wieder einschalten Bleibt das Problem bestehen, muss das Gerät von SKF überprüft werden
E11 E	Kommunikationsproblem in der Elektronik	Das Gerät aus und wieder einschalten Bleibt das Problem bestehen, muss das Gerät von SKF überprüft werden
E12E	Kommunikationsproblem in der Elektronik	Das Gerät aus und wieder einschalten Bleibt das Problem bestehen, muss das Gerät von SKF überprüft werden

Deutsch

8. Ersatzteil- Liste

TIH 220-PMV	Leistungsplatine 400 - 460V
TIH 220-PLV	Leistungsplatine 200 - 240V
TIH 220-Y10	Joch 70 x 70 x 430 mm
TIH 220-Y6	Joch 40 x 40 x 430 mm
TIH 220-YS	Jochhalterungssatz - 70 x 70 x 150 mm (2x)
TIH CP	Steuerplatine
TIH RC	Bedienteil
TIH CB25A	Hauptschalter 25A für TIH 220m/MV
TIH CB50A	Hauptschalter 50A für TIH 220m/LV
TIH P20	Temperaturfühler Typ K einschließlich Kabel und Stecker



Declaración de Conformidad CE.....	40
Recomendaciones de seguridad.....	41
1. Introducción.....	42
1.1 Uso previsto.....	42
1.2 Principio de funcionamiento.....	42
1.3 Características distintivas.....	43
2. Descripción.....	43
2.1 Componentes.....	43
2.2 Datos técnicos.....	44
3. Instalación del enchufe a la red eléctrica.....	44
4. Preparación para su uso.....	45
5. Funcionamiento.....	46
5.1 Función de las pantallas.....	46
5.2 Función de los botones.....	46
5.3 TEMP MODE (Modo por temperatura).....	46
5.4 TIME MODE (Modo por tiempo).....	47
5.5 Medición de la temperatura.....	47
5.6 Cambio de la escala de temperatura.....	47
5.7 Desmagnetización.....	48
5.8 Selección del nivel de potencia.....	48
6. Características de seguridad.....	48
7. Resolución de problemas.....	49
8. Spare parts.....	49

Traducción de las instrucciones originales

Declaración de conformidad CE

SKF Maintenance Products
Kelvinbaan 16
3439 MT Nieuwegein
Países Bajos

declara que el siguiente producto:

Calentador de inducción SKF TIH 220M

ha sido diseñado y fabricado de acuerdo con
LA DIRECTIVA EUROPEA 2006/95/EC DE MATERIAL DE BAJA TENSIÓN
LA DIRECTIVA DE COMPATIBILIDAD ELECTROMAGNÉTICA (EMC) 2004/108/EC,
y tal y como se indica en la normativa armonizada para:

EN61000-6-3:2007 /A1:2011

EN61000-6-2:2005

EN61000-4-2

EN61000-4-3

EN61000-4-4

EN61000-4-5

EN61000-4-6

EN61000-4-8

EN61000-4-11

LA DIRECTIVA EUROPEA ROHS (sobre restricciones en la utilización
de determinadas sustancias peligrosas) 2011/65/UE

Nieuwegein, Países Bajos,
Noviembre de 2014



Sébastien David
Jefe de desarrollo de producto y calidad



Recomendaciones de seguridad

- Dado que el TIH 220m genera un campo magnético, las personas que lleven marcapasos no deben acercarse a menos de 5 m del TIH 220m durante su funcionamiento. Los equipos electrónicos, como los relojes de pulsera, también pueden verse afectados.
- Durante el proceso de calentamiento manténgase a una distancia de seguridad de 50 cm de la pieza de trabajo, la bobina del calentador o el núcleo.
- Siga en todo momento las instrucciones de uso.
- Asegúrese de que la tensión eléctrica sea la correcta.
- Pueden producirse arcos eléctricos cuando exista una diferencia potencial entre el TIH 220m y la pieza de trabajo. Esto no es peligroso para los seres humanos y no causará daños en el TIH 220m ni en la pieza de trabajo. No obstante, el TIH 220m no debe utilizarse nunca en lugares donde exista riesgo de explosión.
- El TIH 220m no debe exponerse a la humedad de condensación ni al contacto directo con agua.
- No debe tocar nunca la bobina, carcasa, yugo o pieza de trabajo del TIH 220m durante el calentamiento.
- No utilice nunca el TIH 220m sin yugos.
- No utilice nunca el TIH 220m con el cable del control remoto entre los soportes verticales del yugo.
- No modifique el TIH 220m.
- Utilice equipos de manipulación adecuados para levantar las piezas de trabajo pesadas.
- Evite el contacto con piezas de trabajo calientes, especialmente las jaulas de los rodamientos que se calientan más que los aros. Utilice los guantes resistentes al calor suministrados para manipular las piezas de trabajo calientes.
- Al utilizar el calentamiento por inducción, la temperatura generada en el aro interior del rodamiento será mayor que la temperatura generada en el aro exterior. Asegúrese de que la distinta dilatación de los aros no bloquee los elementos rodantes.
- Asegúrese de que el yugo se coloca con la cara mecanizada mirando hacia abajo y que haga contacto adecuadamente con las caras superiores del núcleo.



1. Introducción

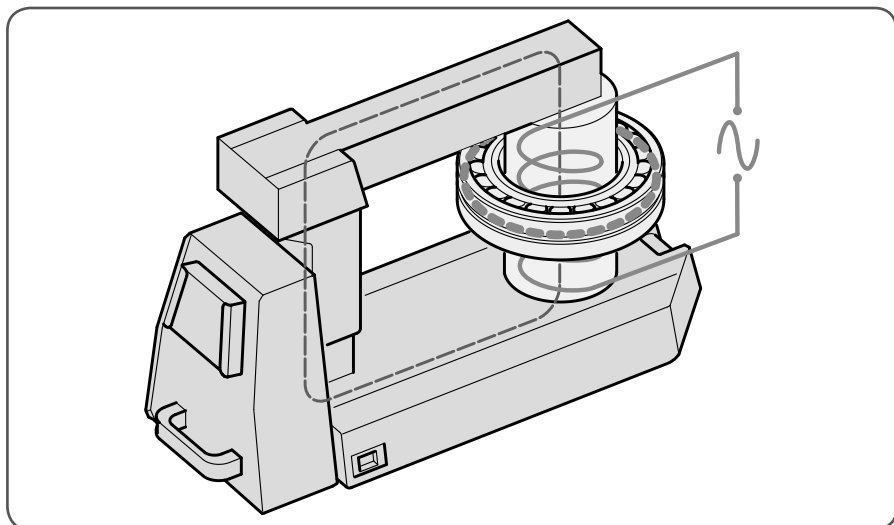
El calentador de inducción SKF TIH 220m ha sido diseñado para calentar rodamientos montados con un ajuste de interferencia con el eje. El calor provoca la dilatación del rodamiento, lo que elimina la necesidad de utilizar la fuerza durante su montaje. Normalmente basta con una diferencia de temperatura de 90 °C entre el rodamiento y el eje para permitir el montaje. Por tanto, a una temperatura ambiente de 20 °C, el rodamiento deberá calentarse hasta los 110 °C.

1.1 Uso previsto

El TIH 220m ha sido diseñado para calentar rodamientos. No obstante, también se pueden calentar otras piezas de trabajo metálicas que formen un circuito cerrado. Algunos ejemplos de piezas de trabajo adecuadas incluyen los casquillos, anillos de contracción, poleas y engranajes. Todos los rodamientos que se puedan colocar alrededor de la bobina de inducción y entre los soportes verticales con el yugo superior en posición, se pueden calentar con el TIH 220m. Además, los rodamientos más pequeños se pueden colocar alrededor de cualquiera de los dos yugos estándar. Consulte las imágenes que se muestran al principio de este manual para ver ejemplos.

1.2 Principio de funcionamiento

El principio de funcionamiento del TIH 220m puede compararse al de un transformador. La corriente eléctrica de baja intensidad y alta tensión que fluye por la bobina del TIH 220 induce una corriente de alta intensidad y baja tensión en la pieza de trabajo. Puesto que la pieza de trabajo cuenta con las características eléctricas de una bobina con una única espira en cortocircuito, la corriente de alta intensidad genera calor dentro de la pieza de trabajo. Al generarse el calor en el interior de la pieza de trabajo, todos los componentes del calentador se mantienen fríos.



1.3 Características distintivas

- **Panel de control remoto**
El calentador TIH 220m se suministra con un panel de control remoto que puede separarse del calentador para mayor facilidad de uso y ayudar a reducir el riesgo de contacto con el rodamiento caliente durante el funcionamiento.
- **Bobina de inducción**
La pieza de trabajo se coloca alrededor de la bobina de inducción para su calentamiento. Este diseño mejora la eficiencia, reduciendo el consumo de energía y agilizando el calentamiento, lo que reduce el coste de calentamiento de cada rodamiento.
- **Brazos plegables para el apoyo de los rodamientos**
Para apoyar los rodamientos de gran tamaño colocados alrededor de la bobina de inducción, el calentador de inducción TIH 220m está equipado con unos brazos plegables. Consulte las imágenes que se muestran al principio de este manual.
- **Yugo deslizante**
Para facilitar la manipulación del yugo al colocar el rodamiento alrededor de la bobina de inducción o alrededor del yugo superior, el TIH 200m está equipado con un sistema deslizante para el yugo más grande.
- **Almacenamiento para yugos**
El yugo pequeño puede almacenarse en el interior del calentador. El lugar de almacenamiento para los yugos está situado tras los brazos plegables. Consulte las imágenes que se muestran al principio de este manual.

2. Descripción

El funcionamiento del calentador se controla por el sistema electrónico interno en cualquiera de los dos modos de calentamiento. El operario puede seleccionar la temperatura deseada para el rodamiento a calentar en TEMP MODE (Modo por temperatura) o ajustar el tiempo durante el que desee calentar el rodamiento en TIME MODE (Modo por tiempo). La potencia se puede ajustar al 100% ó al 50% para un calentamiento más lento de piezas de trabajo delicadas (por ejemplo, rodamientos con un juego C1 ó C2).

2.1 Componentes

El calentador de inducción TIH 220m contiene un núcleo de hierro en forma de U con una bobina de inducción alrededor de uno de sus soportes verticales. Se incluye un panel de control remoto desmontable. El sistema electrónico del control remoto y la electrónica interna controlan el funcionamiento del calentador. Un yugo extraíble situado en la parte superior de los soportes verticales permite colocar la pieza de trabajo en el calentador. El mayor de los dos yugos puede deslizarse sobre su poste vertical. Para piezas de trabajo de menor tamaño, se suministra también un yugo pequeño. Se incluye con el calentador una sonda de temperatura, así como guantes resistentes al calor.

TIH 220m	
Tensión ($\pm 10\%$)	
TIH 220m/MV	400 - 460V / 50 - 60Hz
TIH 220m/LV	200 - 240V / 50 - 60Hz
Protección de línea recomendada:	
TIH 220m/MV	Requisito mínimo 25 A
TIH 220m/LV	Requisito mínimo 50 A
Consumo de energía (máximo)	10,0 - 11,5 kVA para 400 - 460 V
Control de temperatura	0 - 250 °C; en intervalos de 1°
Tipo de sonda	Termopar, de tipo K
Temperatura máxima de la sonda	250 °C
Modo por tiempo	0 - 60 minutos; en intervalos de 0,1 minuto
Rango de potencia	100% - 50%
Desmagnetización	automática; magnetismo residual <2A/cm
Dimensiones generales (an. x fo. x al.)	750 x 290 x 440 mm
Área entre soportes (an. x al.)	250 x 255 mm
Diámetro de la bobina	140 mm Para un diámetro de agujero de rodamientos mínimo de 150 mm
Peso (con yugos)	86 kg
Peso máximo de la pieza de trabajo	Rodamiento: 300 kg Componente macizo: 150 kg
Temperatura máxima de calentamiento	aprox. 400 °C
m_{20}^*	220 kg (rodamiento 23172)
Dimensiones estándar del yugo:	Para un diámetro de agujero mínimo del rodamiento de:
70 x 70 x 430 mm	100 mm
40 x 40 x 430 mm	60 mm

* m_{20} representa el peso (kg) del rodamiento SRB 231 más pesado que se puede calentar de 20 a 110 °C en 20 minutos.

3. Instalación del enchufe a la red eléctrica

Un electricista cualificado deberá instalar el enchufe adecuado. La tensión de corriente correcta se muestra en la sección 2.2.

Los cables deben conectarse del siguiente modo:

TIH 220m/MV, TIH 220m/LV con 200V-3 fases, y todas las demás ejecuciones para un suministro de tres fases.

Color del cable del TIH 220m/xx	Terminal de la red eléctrica
amarillo / verde	toma de tierra
azul	fase 1
marrón	fase 2

Conecte el TIH 220m sólo a dos de las tres fases.

TIH 220m/LV con un suministro monofásico

Color del cable del TIH 220m/LV	Terminal de la red eléctrica
amarillo / verde	toma de tierra
azul	neutro
marrón	fase 1

4. Preparación para su uso

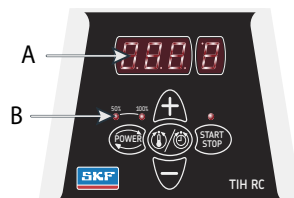
- Coloque el TIH 200m en posición horizontal sobre una superficie estable.
- Enchufe el equipo a un suministro eléctrico adecuado.
- Conecte el control remoto al conector situado al lado del asa de transporte del calentador.
- Deslice el brazo corredero en posición abierta. Véanse las imágenes al principio de este manual.
- Para las piezas de trabajo con un diámetro interior lo suficientemente grande como para ser colocadas alrededor de la bobina de inducción, siga estos pasos:
 - Despliegue los brazos plegables y colóquelos como se muestra en las imágenes que aparecen al principio de este manual.
 - Coloque la pieza de trabajo sobre la bobina de inducción con la ayuda de equipos de elevación apropiados.
 - Para obtener los mejores resultados, ajuste la posición de la pieza de trabajo de manera que la bobina de inducción quede en el centro.
 - Cierre el brazo corredero de manera que quede totalmente apoyado sobre ambos soportes verticales.
- Para las piezas de trabajo que no puedan colocarse alrededor de la bobina de inducción, siga estos pasos:
 - Elija el mayor de los dos yugos que quepa por el diámetro interior de la pieza de trabajo.
 - Deslice la pieza de trabajo sobre el yugo seleccionado.
 - Coloque el yugo en el TIH 220m con la parte inferior brillante apoyada uniformemente sobre los dos soportes verticales.
- Si desea utilizar el TEMP MODE, enchufe la sonda de temperatura al conector situado cerca del asa de transporte del calentador. Coloque el extremo magnético de la sonda sobre el aro interior del rodamiento o sobre la superficie más interna de la pieza de trabajo.
- Encienda el TIH 220m.
- Observe la autocomprobación de la pantalla del control remoto y el tono de señal.

5. Funcionamiento

5.1 Función de las pantallas

- A La pantalla del control remoto muestra el tiempo o la temperatura seleccionados para el calentamiento.
- B El LED de potencia muestra la potencia seleccionada.

Pantalla	Indicación
t	tiempo en minutos
°C	temperatura en grados centígrados
°F	temperatura en grados Fahrenheit



5.2 Función de los botones

Botón	Función
POWER	Pulse para ajustar la potencia La potencia seleccionada aparece indicada con un LED
MODE	Pulse para cambiar entre TIME MODE y TEMP MODE
UP (+)	Pulse para aumentar el valor que aparece en la pantalla de control remoto
DOWN (-)	Pulse para disminuir el valor que aparece en la pantalla de control remoto
START / STOP	Pulse para poner en marcha o detener el calentador El LED del botón START / STOP se enciende cuando el calentador está calentando y se pone intermitente durante la medición de la temperatura

5.3 TEMP MODE (Modo por temperatura)

- Si en la pantalla del control remoto aparece "t", pulse MODE para seleccionar TEMP MODE. La pantalla del control remoto muestra °C o °F en TEMP MODE.
- La temperatura seleccionada aparece en la pantalla del control remoto. La temperatura predeterminada para los rodamientos es de 110 °C. Si desea una temperatura distinta, pulse UP o DOWN para ajustar la temperatura en intervalos de 1°.
- Puede ser recomendable calentar los rodamientos a temperaturas superiores a 110 °C para un tiempo de montaje más largo. Consulte las especificaciones de los rodamientos SKF para determinar la temperatura máxima permitida. Asegúrese siempre de que el rodamiento no quede bloqueado debido a una excesiva dilatación del aro interior en comparación con el aro exterior. Véase la sección 5.8.
- En caso necesario, pulse POWER para seleccionar el nivel de potencia. Utilice las directrices de la sección 5.8 para determinar el nivel de potencia correcto.
- Asegúrese de que la sonda de temperatura esté montada sobre el aro interior del rodamiento.

- Pulse START / STOP para poner en marcha el calentador. La pantalla del control remoto muestra la temperatura actual de la pieza de trabajo.
- Durante el calentamiento, es posible ver la temperatura seleccionada durante 1 segundo pulsando MODE.
- Cuando se ha alcanzado la temperatura seleccionada, el calentador desmagnetiza la pieza de trabajo, se apaga y genera una señal acústica durante 10 segundos o hasta que se pulsa START / STOP.
- Pulse START / STOP para cancelar la señal acústica y parar el calentador.
- Retire la pieza de trabajo con la ayuda de un equipo de manipulación adecuado.
- Si la pieza de trabajo permanece en el calentador, éste se pondrá en marcha de nuevo cuando la temperatura de la pieza de trabajo descienda 10 °C. Pulse START / STOP para detener el calentador y desmagnetizar la pieza de trabajo.
- El TIH 220m ya está listo para calentar otra pieza con la misma configuración.

5.4 TIME MODE (Modo por tiempo)

- Si en la pantalla del control remoto aparece °C o °F, pulse MODE para seleccionar TIME MODE. La pantalla del control remoto muestra "t" en TIME MODE.
- Pulse UP o DOWN para ajustar el tiempo en intervalos de 0,1 minutos.
- Pulse POWER para seleccionar el nivel de potencia. Utilice las instrucciones de la sección 5.8 para determinar el nivel de potencia correcto.
- Pulse START / STOP para poner en marcha el calentador. La pantalla del control remoto mostrará el tiempo restante.
- Durante el calentamiento, es posible ver la temperatura medida por la sonda durante un par de segundos pulsando MODE.
- Una vez transcurrido el tiempo, el calentador desmagnetiza la pieza de trabajo, se apaga y genera una señal acústica durante 10 segundos.
- Pulse START / STOP para cancelar la señal acústica y parar el calentador.
- Retire la pieza de trabajo con la ayuda de un equipo de manipulación adecuado.
- El TIH 220m ya está listo para calentar otra pieza de trabajo con la misma configuración.

5.5 Medición de la temperatura

Cuando el calentador no está en funcionamiento, es posible medir la temperatura de la pieza de trabajo pulsando MODE y START / STOP al mismo tiempo. El LED del botón START / STOP se pone en intermitente durante la medición de la temperatura. Pulse START / STOP para cancelar la medición de la temperatura.

5.6 Cambio de la escala de temperatura

Pulse MODE y UP simultáneamente para conmutar entre °C y °F. La configuración de la escala de temperatura se mantendrá, aunque el equipo se desconecte de la red eléctrica.

La pieza de trabajo se desmagnetiza automáticamente una vez finalizado el calentamiento. La desmagnetización no se producirá si se interrumpe la alimentación eléctrica o si se apaga el calentador con el interruptor principal. Si desea utilizar el TIH 220m sólo para la desmagnetización, seleccione el TIME MODE y ajuste el tiempo a 0,1 minutos (6 segundos).

5.8 Selección del nivel de potencia

Al calentar rodamientos con un calentador de inducción, la mayor parte del calor se generará en el aro interior del rodamiento. El calor se transmitirá después a través del rodamiento. Por tanto, es importante que los rodamientos con un juego interno reducido se calienten despacio. Un calentamiento lento garantiza que el rodamiento se dilata uniformemente, evitando así que resulte dañado.

La forma, peso, tamaño y juego interno son factores que afectan la cantidad de tiempo necesario para calentar un rodamiento. La gran variedad de tipos de rodamientos impide la posibilidad de establecer un nivel de potencia específico para cada tipo. En su lugar, se ofrecen las siguientes directrices:

- Para rodamientos delicados (incluyendo los rodamientos con un juego interno C1 ó C2) o rodamientos con una jaula de latón, no se debe superar el 50% de la potencia.
- Cuando utilice el yugo pequeño, no se debe superar nunca el 50% de la potencia.

Para los rodamientos de rodillos a rótula o los rodamientos CARB®, se debe tener especial cuidado al calentar dichos rodamientos en una posición horizontal cuando su subsiguiente montaje es en un eje vertical. El peso de los rodillos hará que éstos siempre se coloquen en la posición más baja posible: harán contacto con ambos caminos de rodadura, lo que reducirá el juego interno. Para los rodamientos de rodillos a rótula o los rodamientos CARB® grandes con rodillos pesados, recomendamos encarecidamente el uso de un anillo de centrado para los rodillos. El anillo de centrado para los rodillos mantiene los rodillos posicionados en el centro de los caminos de rodadura durante el calentamiento y el montaje.

6. Características de seguridad

El TIH 220m está equipado con las siguientes características de seguridad:

- Protección automática contra el sobrecalentamiento
- Control automático de la corriente eléctrica
- Disyuntor de sobreintensidad.
- En el TEMP MODE el calentador se apagará si la sonda de temperatura no registra un incremento de temperatura de 1 °C cada 15 segundos (0,25 minutos). Para aumentar el intervalo a 30 segundos (0,50 minutos), pulse MODE y DOWN al mismo tiempo.

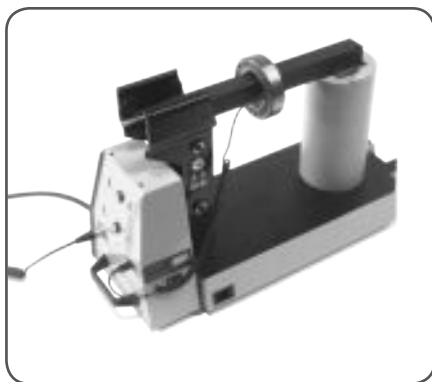
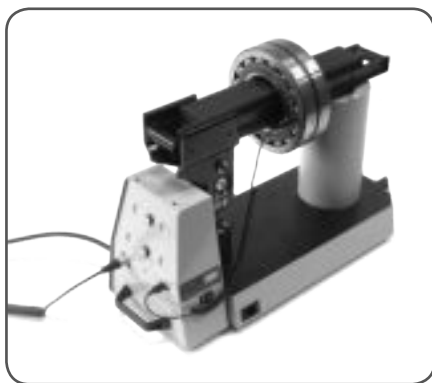
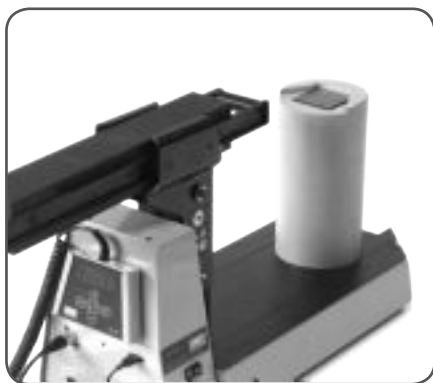
7. Resolución de problemas

Los fallos del sistema se indicarán mediante una señal acústica y uno de los siguientes códigos de fallo en la pantalla de control remoto:

Pantalla	Fallo	Acción
E03 E	Recalentamiento de la bobina	Espere a que la bobina de inducción se enfríe. Apague el calentador (OFF) y vuélvalo a encender (ON)
E05 E	Incremento de temperatura inferior a 1 °C cada 15 segundos (o cada 30 segundos)	Examine la conexión de la sonda de temperatura. Si la conexión es correcta, seleccione el intervalo de 30 segundos según lo explicado en la sección 6 o utilice el calentador en el TIME MODE (modo por tiempo)
E06 E	La sonda de temperatura no está conectada (o está defectuosa) o caída excesiva de la temperatura	Examine la sonda de temperatura
E10 E	Problema de comunicación electrónico	Apague el calentador (OFF) y vuélvalo a encender (ON). Si el problema persiste devuelva el TIH a SKF para su reparación
E11 E	Problema de comunicación electrónico	Apague el calentador (OFF) y vuélvalo a encender (ON). Si el problema persiste devuelva el TIH a SKF para su reparación
E12E	Problema de comunicación electrónico	Apague el calentador (OFF) y vuélvalo a encender (ON). Si el problema persiste devuelva el TIH a SKF para su reparación

8. Spare parts

TIH 220-PMV	Circuito de alimentación 400 - 460V, 50 - 60 Hz
TIH 220-PLV	Circuito de alimentación 200 - 240V, 50 - 60 Hz
TIH 220-Y10	Yugo 70 x 70 x 430 mm
TIH 220-Y6	Yugo 40 x 40 x 430 mm
TIH 220-YS	Conjunto de yugos de apoyo - 70 x 70 x 150 mm (2x)
TIH CP	Circuito de control
TIH RC	Control remoto
TIH CB25A	Disyuntor de 25 A para el TIH 220m/MV
TIH CB50A	Disyuntor de 50 A para el TIH 220m/LV
TIH P20	Sonda de temperatura de tipo K, incl. cable y enchufe



Dichiarazione di Conformità CE	52
Precauzioni per la sicurezza	53
1. Introduzione.....	54
1.1 Uso previsto.....	54
1.2 Principio di funzionamento.....	54
1.3 Caratteristiche esclusive	55
2. Descrizione	55
2.1 Componenti	55
2.2 Dati tecnici.....	56
3. Installazione della spina di alimentazione di rete	56
4. Preparazione per l'uso.....	57
5. Funzionamento.....	58
5.1 Funzione dello schermo.....	58
5.2 Function of buttons	58
5.3 Temp Mode (Modalità Temperatura).....	58
5.4 Time Mode (Modalità Tempo).....	59
5.5 Misurazione della temperatura.....	59
5.6 Modifica dell'unità di misurazione della temperatura	59
5.7 Smagnetizzazione.....	60
5.8 Selezione del livello di potenza	60
6. Caratteristiche di sicurezza.....	60
7. Risoluzione dei problemi.....	61
8. Parti di ricambio	61

Traduzione delle istruzioni originali

Dichiarazione di Conformità CE

Noi,
SKF Maintenance Products
Kelvinbaan 16
3439 MT Nieuwegein
Paesi Bassi

dichiariamo con la presente che il seguente prodotto:

Riscaldatore a induzione TIH 220M di SKF

è stato progettato e fabbricato in conformità alla
DIRETTIVA EUROPEA 2006/95/EC SULLA BASSA TENSIONE
NORMATIVA EMC 2004/108/EC come indicato nella norma armonizzata per
EN61000-6-3:2007 /A1:2011
EN61000-6-2:2005
EN61000-4-2
EN61000-4-3
EN61000-4-4
EN61000-4-5
EN61000-4-6
EN61000-4-8
EN61000-4-11

DIRETTIVA EUROPEA ROHS 2011/65/UE

Nieuwegein, Paesi Bassi,
Novembre 2014



Sébastien David
Responsabile Sviluppo Prodotto e Qualità



Precauzioni per la sicurezza

- Poiché il TIH 220m genera un campo magnetico, i portatori di pace-maker non devono avvicinarsi a più di cinque metri dal TIH 220m mentre è in funzione. Il campo magnetico può alterare anche il funzionamento di meccanismi elettronici come, ad esempio quelli degli orologi da polso.
- Durante il processo di riscaldamento mantenere una distanza di sicurezza di 50 cm dal pezzo in lavorazione, dalla bobina e dal nucleo del riscaldatore.
- Attenersi sempre alle istruzioni operative.
- Verificare che la tensione di alimentazione sia corretta.
- Un'eventuale differenza di potenziale tra il TIH 220m e il pezzo da riscaldare può causare un arco voltaico. Ciò non costituisce un pericolo per l'operatore e non danneggia il TIH 220m né il pezzo. In ogni caso, il TIH 220m non deve mai essere utilizzato in aree a rischio di esplosione.
- Il TIH 220m non deve mai essere esposto a umidità da condensa o al contatto diretto con l'acqua.
- Durante il riscaldamento non toccare mai la bobina, il nucleo, il giogo del TIH 220m o il pezzo da riscaldare.
- Non utilizzare mai il TIH 220m senza il giogo in posizione.
- Non utilizzare mai il TIH 220m con il cavo del telecomando posizionato fra i supporti verticali del giogo.
- Non apportare modifiche al TIH 220m.
- Per sollevare dei pezzi pesanti da lavorare, usare apposite attrezzature di sollevamento.
- Evitare il contatto con i pezzi riscaldati, specialmente le gabbie dei cuscinetti che sono più calde degli anelli e maneggiarli indossando i guanti resistenti al calore in dotazione.
- Quando si usa il riscaldamento a induzione, la temperatura generata nell'anello interno del cuscinetto è maggiore di quella dell'anello esterno. Assicurarsi che la diversa dilatazione degli anelli non blocchi i corpi volventi.
- Assicurarsi che il giogo sia montato con le facciate rettificate rivolte verso il basso e che sia bene in contatto con il nucleo verticale.



1. Introduzione

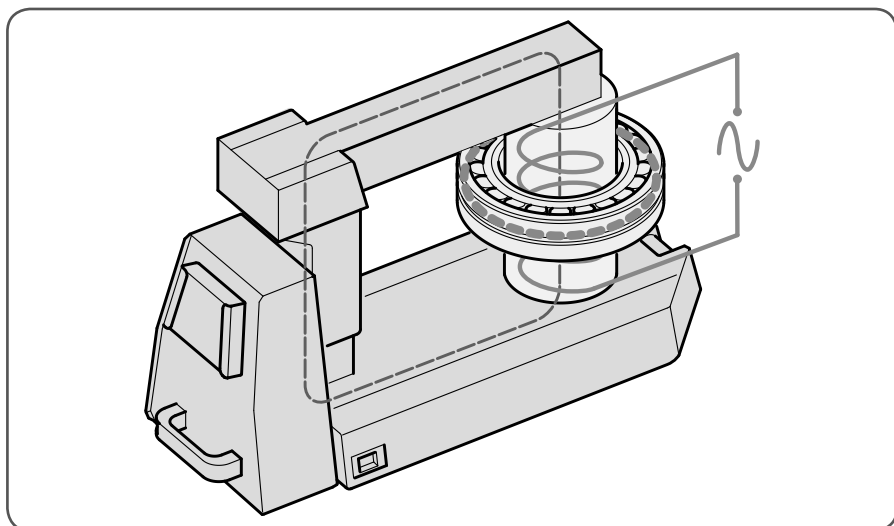
Il riscaldatore a induzione SKF TIH 220m è stato messo a punto per riscaldare i cuscinetti che devono essere montati con interferenza su un albero. Durante l'installazione non è necessario ricorrere alla forza perché il calore determina la dilatazione del cuscinetto. Di solito una differenza di temperatura di 90 °C tra l'anello interno del cuscinetto e l'albero è sufficiente a consentire l'installazione. Ad una temperatura ambiente di 20 °C, il cuscinetto dovrà quindi essere riscaldato a 110 °C.

1.1 Uso previsto

Il TIH 220m è stato progettato per riscaldare cuscinetti volventi. È possibile, tuttavia, riscaldare anche altri componenti metallici che formano un circuito chiuso. Tra i componenti che è possibile riscaldare sono inclusi, ad esempio, boccole, anelli per cerchiatura, pulegge e ingranaggi. Il TIH 220m consente di riscaldare tutti i cuscinetti che possono essere inseriti sulla bobina a induzione e tra i montanti verticali con il giogo superiore in posizione. Cuscinetti di dimensioni inferiori possono, inoltre, essere collocati su uno dei due gioghi standard. Le illustrazioni all'inizio del presente manuale offrono degli esempi.

1.2 Principio di funzionamento

Il principio di funzionamento del TIH 220m può essere paragonato a quello di un trasformatore. La corrente elettrica ad alta tensione e bassa intensità che attraversa l'elevato numero di avvolgimenti della bobina induttiva nel TIH 220m crea sul pezzo da riscaldare una corrente elettrica ad alta intensità e a bassa tensione. Poiché il pezzo ha le proprietà elettriche di una bobina con un singolo avvolgimento in corto circuito, l'alta intensità di corrente genera calore al suo interno. Il calore si sviluppa all'interno del pezzo, per cui tutti i componenti del riscaldatore rimangono freddi.



1.3 Caratteristiche esclusive

- **Telecomando**
Per facilitare l'uso e per diminuire il rischio di contatto con i cuscinetti ad alta temperatura durante il funzionamento, il riscaldatore TIH 220m viene fornito con un telecomando che può essere staccato dal riscaldatore.
- **Bobina induttiva**
Per il riscaldamento, il pezzo viene collocato nella stessa posizione della bobina induttiva nel nucleo. Questo metodo migliora l'efficienza, riducendo il consumo di energia elettrica e rendendo più rapido il riscaldamento, con conseguente riduzione del costo necessario per riscaldare il singolo cuscinetto.
- **Supporti ripiegabili per cuscinetti**
Per reggere cuscinetti di grosse dimensioni collocati intorno alla bobina induttiva, il riscaldatore a induzione TIH 220m è dotato di supporti ripiegabili per cuscinetti. Vedere le illustrazioni all'inizio del presente manuale.
- **Giogo scorrevole**
Per maneggiare più facilmente il giogo mentre si posiziona il cuscinetto intorno alla bobina induttiva o intorno al giogo superiore, il TIH 220m è dotato di un dispositivo scorrevole per il giogo grande.
- **Ripostiglio**
Il giogo piccolo può essere sistemato all'interno del riscaldatore, in un ripostiglio che si trova dietro i supporti ripiegabili per cuscinetti. Vedere le illustrazioni all'inizio del presente manuale.

2. Descrizione

Sono disponibili due modi per controllare elettricamente l'operazione di riscaldamento. L'operatore può selezionare in TEMP MODE (Modalità temperatura) la temperatura desiderata per il cuscinetto oppure può impostare in TIME MODE (Modalità tempo) il tempo per cui il cuscinetto deve essere riscaldato. Il livello di potenza può essere regolato al 100% o al 50% per consentire il riscaldamento più lento dei pezzi più delicati (ad esempio i cuscinetti con giogo C1 o C2).

2.1 Componenti

Il riscaldatore a induzione TIH 220m contiene un nucleo in ferro sagomato a "U" con una bobina induttiva attorno a uno dei montanti verticali. Viene fornito un telecomando staccabile. I componenti elettronici del telecomando e l'elettronica interna controllano il funzionamento del riscaldatore. Un giogo asportabile in cima ai montanti verticali consente di posizionare il pezzo da riscaldare sull'apparecchio.

Il più grande dei due gioghi può scorrere sul montante verticale. Per i pezzi più piccoli viene fornito in dotazione anche un giogo di dimensioni inferiori. Con il riscaldatore sono anche forniti una sonda termometrica e un paio di guanti resistenti al calore.

TIH 220m	
Tensione ($\pm 10\%$): TIH 220m/MV TIH 220m/LV	400 - 460V / 50 - 60Hz 200 - 240V / 50 - 60Hz
Protezione di linea consigliata: TIH 220m/MV TIH 220m/LV	Requisito minimo 25 A Requisito minimo 50 A
Potenza assorbita (massima)	10,0 - 11,5 kVA for 400 - 460 V
Controllo della temperatura	0 - 250 °C; con incrementi di 1°
Tipo di sonda	Termocoppia, tipo K
Temperatura massima sonda	250 °C
Modalità tempo	0 - 60 minuti, con incrementi di 0,1 minuto
Campo di potenza	100% - 50%
Demagnetisation	automatic; residual magnetism <2A/cm
Smagnetizzazione	automatica; magnetismo residuo <2A/cm
Dimensioni d'ingombro (larghezza x profondità x altezza)	750 x 290 x 440 mm
Area tra i supporti: (larghezza x altezza)	250 x 255 mm
Diametro bobina	140 mm Per cuscinetti con diametro foro minimo di 150 mm
Peso (gioghi inclusi)	86 kg
Peso max. pezzo da riscaldare	Cuscinetto: 300 kg Componente solido: 150 kg
Temperatura di riscaldamento massima	circa 400 °C
m_{20}^*	220 kg (cuscinetto 23172)
Dimensioni dei gioghi standard: 70 x 70 x 430 mm (2.8 x 2.8 x 16.9 in) 40 x 40 x 430 mm (1.5 x 1.5 x 16.9 in)	Per cuscinetti con diametro foro minimo di: 100 mm 60 mm

* m_{20} rappresenta il peso (kg) del cuscinetto orientabile a rulli più pesante della serie 231 che può essere riscaldato da 20 a 110 °C in 20 minuti.

3. Installazione della spina di alimentazione di rete

Affidare a un elettricista qualificato l'installazione di una spina di rete adatta. La tensione di alimentazione corretta è mostrata nel paragrafo 2.2.

I fili devono essere collegati come segue:

TIH 220m/MV, TIH 220m/LV con 200V-3 fasi, ed esecuzione dell'alimentazione di tutte e tre le altre fasi.

Colore fili TIH 220m/xx	Morsetto di alimentazione di rete
giallo / verde	terra
blu	fase 1
marrone	fase 2

Collegare il TIH 220m solo a due delle tre fasi.

TIH 220m/LV con alimentazione monofase

Colore fili TIH 220m/LV	Morsetto di alimentazione di rete
giallo / verde	terra
blu	neutro
marrone	fase 1

4. Preparazione per l'uso

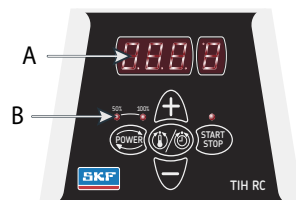
- Mettere il TIH 220m in posizione orizzontale su una superficie stabile.
- Inserire la spina in una presa di rete adatta.
- Collegare il telecomando al connettore posto sul fianco del riscaldatore.
- Far scorrere il giogo scorrevole in posizione aperta. Vedere le illustrazioni all'inizio del manuale.
- Per i pezzi da riscaldare con diametro interno abbastanza grande da potere essere collocati sulla bobina induttiva, osservare le istruzioni seguenti:
 - Aprire i supporti ripiegabili e posizionarli come mostrato nelle illustrazioni all'inizio del presente manuale.
 - Posizionare il pezzo da riscaldare sopra la bobina induttiva, facendo uso di attrezzature di sollevamento adeguate.
 - Per prestazioni ottimali, regolare la posizione del pezzo in modo che sia concentrico con la bobina induttiva.
 - Chiudere il giogo scorrevole in modo che copra completamente la parte superiore di entrambi i supporti verticali.
- Se i pezzi da riscaldare sono di dimensioni tali da non potere essere collocati sopra la bobina induttiva, osservare le istruzioni seguenti:
 - Scegliere tra i due gioghi il più grande che può essere inserito nel foro interno del pezzo da riscaldare.
 - Fare scorrere il pezzo da riscaldare sul giogo selezionato.
 - Posizionare il giogo sul TIH 220m con il lato lucido sotto e in modo che poggia uniformemente sui due montanti verticali.
- Se si prevede di utilizzare la funzione TEMP MODE (Modalità temperatura), inserire la sonda termometrica nel connettore sul lato del riscaldatore dove è posizionata la maniglia. Mettere l'estremità magnetica della sonda sull'anello interno del cuscinetto oppure sulla parte più interna della superficie del pezzo da riscaldare.
- Accendere il TIH 220m.
- Attendere che venga completato il test automatico dello schermo sul telecomando e che venga emesso il segnale acustico.

5. Funzionamento

5.1 Funzione dello schermo

- A Lo schermo sul telecomando visualizza la temperatura o il tempo di riscaldamento selezionati.
- B Il LED mostra la potenza selezionata.

Display	Indicazione
t	tempo in minuti
°C	temperatura in gradi Celsius
°F	temperatura in gradi Fahrenheit



5.2 Function of buttons

Pulsante	Funzione
POWER (ALIMENTAZIONE)	Premerlo per regolare la potenza La potenza selezionata è indicata da un LED
MODE (MODALITÀ)	Premerlo per passare da TIME MODE (MODALITÀ TEMPO) a TEMP MODE (MODALITÀ TEMPO) e viceversa
UP (SU) (+)	Premerlo per aumentare il valore visualizzato sullo schermo del telecomando
DOWN (GIÙ) (-)	Premerlo per diminuire il valore visualizzato sullo schermo del telecomando
START / STOP (AVVIO / STOP)	Premerlo per avviare o interrompere il riscaldatore Il LED sul pulsante START / STOP (AVVIO / STOP) s'illumina quando il riscaldatore è in fase di riscaldamento e lampeggia durante la misurazione della temperatura

5.3 Temp Mode (Modalità Temperatura)

- Se lo schermo del telecomando indica "t", premere MODE per selezionare TEMP MODE (MODALITÀ TEMPERATURA). In TEMP MODE (MODALITÀ TEMPERATURA) lo schermo del telecomando visualizza °C o °F.
- La temperatura selezionata è visualizzata sullo schermo del telecomando. La temperatura predefinita per i cuscinetti è 110 °C. Se si desidera una temperatura diversa, premere UP o DOWN e regolarla con incrementi di 1°.
- Può essere necessario riscaldare i cuscinetti a temperature superiori a 110 °C, per tempi di montaggio più lunghi. Per informazioni sulla temperatura massima consentita, consultare i valori di specifica sui cuscinetti della SKF. Accertarsi sempre che il cuscinetto non si blocchi a causa di un'espansione eccessiva dell'anello interno rispetto a quello esterno. Vedere il paragrafo 5.8.
- Se necessario premere POWER per selezionare il livello di potenza. Per determinare l'impostazione corretta per la potenza fare riferimento alle istruzioni nel paragrafo 5.8.

- Controllare che la sonda termometrica sia montata sull'anello interno del cuscinetto.
- Premere START / STOP per avviare il riscaldatore. Lo schermo sul telecomando mostra la temperatura attuale del pezzo da riscaldare.
- Durante il riscaldamento, è possibile visualizzare la temperatura selezionata per 1 secondo premendo MODE.
- Una volta raggiunta la temperatura selezionata, il riscaldatore smagnetizza il pezzo, si spegne ed emette un segnale acustico di 10 secondi che può essere interrotto premendo il pulsante START / STOP.
- Premere START / STOP per spegnere il segnale acustico e fermare il riscaldatore.
- Togliere il pezzo, facendo uso di attrezzature di sollevamento adeguate.
- Se il pezzo rimane sul riscaldatore, quest'ultimo ricomincia a funzionare quando la temperatura del pezzo scende di 10 °C. Premere START / STOP per arrestare il riscaldatore e smagnetizzare il pezzo.
- A questo punto il TIH 220m è pronto per riscaldare un altro pezzo con le stesse impostazioni.

5.4 Time Mode (Modalità Tempo)

- Se lo schermo sul telecomando visualizza °C o °F, premere MODE per selezionare TIME MODE (MODALITÀ TEMPO). Lo schermo sul telecomando visualizza "t" in TIME MODE (MODALITÀ TEMPO).
- Premere UP o DOWN per regolare il tempo in incrementi di 0,1 minuti.
- Premere POWER per selezionare il livello di potenza. Per determinare l'impostazione corretta per la potenza fare riferimento alle istruzioni nel paragrafo 5.8.
- Premere START / STOP per avviare il riscaldatore. Lo schermo sul telecomando mostra il tempo residuo.
- Durante il riscaldamento, è possibile visualizzare la temperatura misurata dalla sonda per un paio di secondi premendo MODE.
- Una volta scaduto il tempo, il riscaldatore smagnetizza il pezzo, si spegne e produce un segnale acustico di 10 secondi.
- Premere START / STOP per spegnere il segnale acustico e arrestare il riscaldatore.
- Togliere il pezzo, facendo uso di attrezzature di sollevamento adeguate.
- A questo punto il TIH 220m è pronto per riscaldare un altro pezzo con le stesse impostazioni.

5.5 Misurazione della temperatura

Quando il riscaldatore non è in funzione, la temperatura del pezzo può essere misurata premendo contemporaneamente MODE e START / STOP. Mentre viene misurata la temperatura, il LED sul pulsante START / STOP lampeggia. Premere START / STOP per annullare il rilevamento della temperatura.

5.6 Modifica dell'unità di misurazione della temperatura

Premere contemporaneamente MODE e UP per passare da °C a °F e viceversa. L'unità di temperatura rimane invariata anche dopo aver scollegato la spina dalla presa di rete.

Il pezzo si smagnetizza automaticamente quando il riscaldamento è completo. La smagnetizzazione non ha luogo in caso d'interruzione dell'alimentazione oppure se il riscaldatore viene spento tramite l'interruttore principale. Per usare il TIH 220m solo per smagnetizzare, selezionare TIME MODE (MODALITÀ TEMPO) e regolare il tempo su 0,1 minuti (6 secondi).

5.8 Selezione del livello di potenza

Quando si riscaldano dei cuscinetti con un riscaldatore a induzione, la maggior parte del calore viene prodotta nella pista interna del cuscinetto. Il calore viene poi trasferito attraverso il cuscinetto. Ecco perché è importante che i cuscinetti con gioco interno ridotto siano riscaldati lentamente. Il riscaldamento lento garantisce l'espansione uniforme del cuscinetto, impedendo così danni allo stesso.

La forma, il peso, le dimensioni e i giochi interni sono tutti elementi che influiscono sulla quantità di tempo necessaria per riscaldare un cuscinetto. La grande varietà di tipi di cuscinetti impedisce di prevedere uno specifico livello di potenza per ognuno. Vengono, invece, fornite le seguenti istruzioni:

- Per i cuscinetti sensibili (inclusi i cuscinetti con gioco interno C1 o C2) o i cuscinetti con gabbia in bronzo, non superare un livello di potenza del 50%.
- Quando si usa il giogo piccolo, non superare mai un livello di potenza del 50%.

Per quanto riguarda i cuscinetti orientabili a rulli e i tipi CARB, bisogna fare molta attenzione quando li si scalda e successivamente li si monta in posizione orizzontale, specialmente sugli alberi ad asse verticale. Per il loro peso, i rulli si dispongono sempre nella posizione più bassa possibile e vengono in contatto con entrambe le piste, con conseguente riduzione del gioco interno. Nel caso di cuscinetti del tipo citato con rulli pesanti consigliamo vivamente l'uso di un anello di centraggio dei rulli, il quale serve a mantenere questi ultimi in posizione al centro delle piste durante il processo di riscaldamento e di montaggio.

6. Caratteristiche di sicurezza

Il TIH 220m dispone delle seguenti funzioni di sicurezza:

- Protezione automatica da surriscaldamento
- Controllo automatico della corrente
- Interruttore di protezione da sovracorrente.
- In TEMP MODE (MODALITÀ TEMPERATURA), il riscaldatore si spegne se la sonda termometrica non registra un aumento di temperatura di 1 °C ogni 15 secondi (0,25 minuti). Per aumentare l'intervallo a 30 secondi (0,50 minuti), premere contemporaneamente MODE e DOWN.

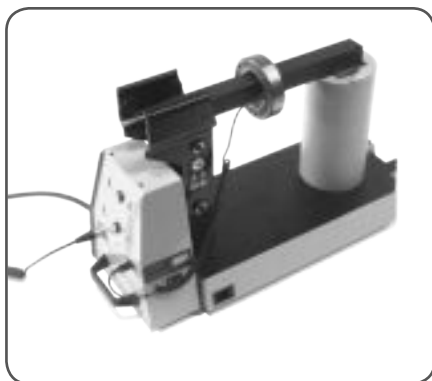
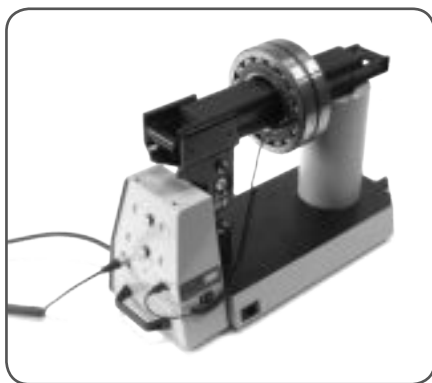
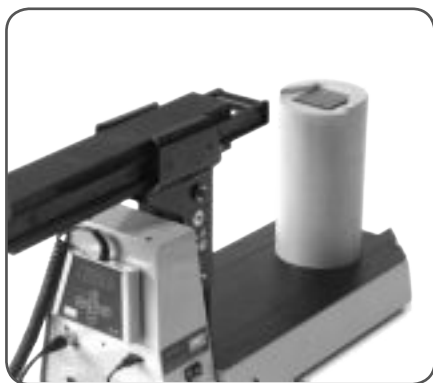
7. Risoluzione dei problemi

Un guasto di sistema viene indicato da un segnale acustico e da uno dei seguenti codici di errore visualizzati sullo schermo del telecomando:

Display	Guasto	Azione
E03 E	Bobina surriscaldata	Attendere che la bobina induttiva si raffreddi. Spegner e riaccendere il riscaldatore
E05 E	Aumento di temperatura inferiore a 1 °C ogni 15 secondi (od ogni 30 secondi)	Controllare il collegamento della sonda Se l'attacco è a posto, selezionare l'intervallo di 30 secondi come descritto nel paragrafo 6 oppure utilizzare il riscaldatore in TIME MODE (MODALITÀ TEMPO)
E06 E	Sonda termometrica non connessa (o difettosa) o diminuzione eccessiva della temperatura	Controllare la sonda termometrica
E10 E	Problema di comunicazione elettronica	Spegner e riaccendere il riscaldatore Se il problema persiste rimandare il TIH alla SKF per la riparazione
E11 E	Problema di comunicazione elettronica	Spegner e riaccendere il riscaldatore Se il problema persiste rimandare il TIH alla SKF per la riparazione
E12E	Problema di comunicazione elettronica	Spegner e riaccendere il riscaldatore Se il problema persiste rimandare il TIH alla SKF per la riparazione

8. Parti di ricambio

TIH 220-PMV	Scheda di alimentazione 400 - 460V, 50 - 60 Hz
TIH 220-PLV	Scheda di alimentazione 200 - 240V, 50 - 60 Hz
TIH 220-Y10	Giogo 70 x 70 x 430 mm
TIH 220-Y6	Giogo 40 x 40 x 430 mm
TIH 220-YS	Set di supporti per giogo - 70 x 70 x 150 mm (2x)
TIH CP	Scheda di comando
TIH RC	Telecomando
TIH CB25A	Interruttore automatico da 25A per TIH 220m/MV
TIH CB50A	Interruttore automatico da 50A per TIH 220m/LV
TIH P20	Sonda termometrica, tipo K completa di cavo e connettore



Declaração de conformidade EC	64
Recomendações de segurança	65
1. Introdução	66
1.1 Utilização prevista.....	66
1.2 Princípio de funcionamento	66
1.3 Características distintivas	67
2. Descrição	67
2.1 Componentes	67
2.2 Dados técnicos	68
3. Instalação da tomada de rede.....	68
4. Preparação para uso	69
5. Funcionamento	70
5.1 Função dos visores	70
5.2 Função dos botões.....	70
5.3 TEMP MODE (MODO TEMPERATURA).....	70
5.4 TIME MODE (MODO TEMPO).....	71
5.5 Medição da temperatura	71
5.6 Alteração da unidade de temperatura.....	71
5.7 Desmagnetização.....	72
5.8 Selecção do nível de potência.....	72
6. Características de segurança	72
7. Resoluções de problemas	73
8. Peças sobressalentes	73

Tradução das instruções originais

Declaração de conformidade EC

A,
SKF Maintenance Products
Kelvinbaan 16
3439 MT Nieuwegein
Holanda

por meio desta declara que o produto a seguir:

SKF Induction Heater TIH 220M (Aquecedor de Indução)

foi projetado e fabricado em conformidade com a
DIRETIVA EUROPEIA DE BAIXA TENSÃO 2006/95/CE e a
EMC DIRECTIVE 2004/108/EC tal como se descreve na norma harmonizada para
EN61000-6-3:2007 /A1:2011
EN61000-6-2:2005
EN61000-4-2
EN61000-4-3
EN61000-4-4
EN61000-4-5
EN61000-4-6
EN61000-4-8
EN61000-4-11

DIRETIVA EUROPEIA ROHS 2011/65/UE

Nieuwegein, Holanda,
Novembro de 2014



Sébastien David
Gerente de Desenvolvimento e Qualidade de Produtos



Recomendações de segurança

- Uma vez que o TIH 220m gera um campo magnético, as pessoas que possuem um pacemaker devem guardar uma distância de cinco metros do TIH 220m durante o seu funcionamento. Equipamento electrónico, tal como relógios de pulso, também pode ser afectado.
- Durante o processo de aquecimento, observe uma distância de segurança de 50 cm (1.6 ft) em relação à peça, a bobina do aquecedor ou o núcleo.
- Siga sempre as instruções de utilização.
- Deve assegurar-se de que a corrente está correcta.
- Podem ocorrer arcos eléctricos quando existe uma diferença de potencial entre o TIH 220m e a peça de trabalho. Isto não apresenta perigo para as pessoas e não danificará o TIH 220m ou a peça de trabalho. Contudo, o TIH 220m nunca deve ser utilizado em áreas onde existe o risco de explosões.
- Não exponha o TIH 220m a humidade de condensação nem o coloque em contacto directo com água.
- Jamais toque na bobina, núcleo, barra TIH 220M ou as peças sendo trabalhadas, durante o aquecimento
- Nunca utilize o TIH 220m sem uma barra colocada.
- Nunca utilize o TIH 220m com o cabo do controle remoto entre os suportes verticais da barra.
- Não efectue alterações ao TIH 220m
- Utilize equipamento de manuseamento adequado ao levantar peças de trabalho pesadas.
- Evite o contato com peças de trabalho quentes, particularmente gaiolas de rolamentos, que são mais quentes do que os anéis. Para manusear peças de trabalho quentes, utilize as luvas resistentes ao calor fornecidas.
- Ao usar aquecedores por indução, a temperatura gerada no anel interno do rolamento será mais elevada do que a do anel externo do rolamento. Assegure-se de que a diferença na dilatação dos anéis não bloqueie os elementos rolantes.
- Certifique-se de que a barra seja colocada com a face esmerilhada virada para baixo, e tenha um devido contato na vertical com o núcleo.



1. Introdução

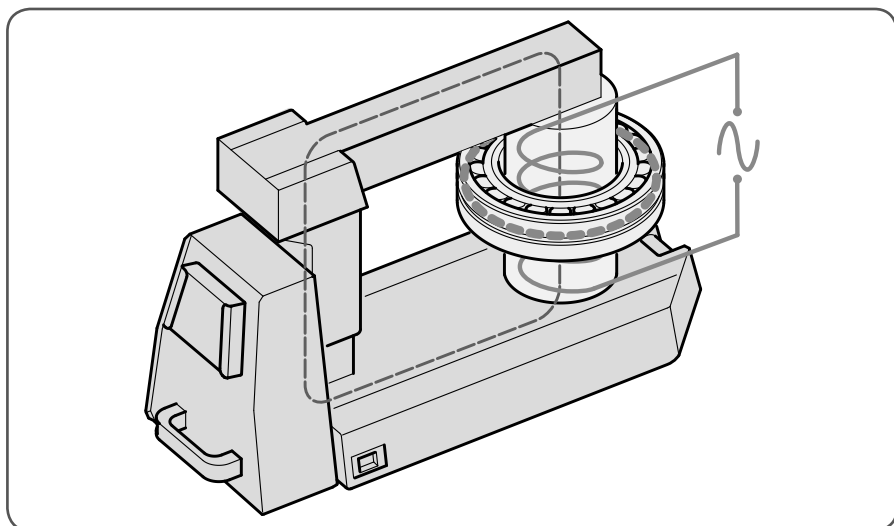
O aquecedor por indução SKF TIH 220m foi concebido para aquecer os rolamentos que estão montados num eixo com um ajustamento fixo. O calor faz com que o rolamento se estenda, o que elimina a necessidade de utilizar a força durante a instalação. Uma diferença de temperatura de 90 °C entre o rolamento e o eixo é normalmente suficiente para permitir a instalação. A uma temperatura ambiente de 20 °C, o rolamento deverá ser aquecido a 110 °C.

1.1 Utilização prevista

O TIH 220m foi concebido para aquecer rolamentos de rolos. Contudo, também podem ser aquecidas outras peças de trabalho metálicas que formem um circuito fechado. As peças de trabalho aceitáveis incluem acoplamentos, anéis de aquecimento, polias e engrenagens. Todos os rolamentos que encaixam sobre a bobina de indução e entre os suportes verticais com a barra superior colocada podem ser aquecidos utilizando o TIH 220m. Para além disso, os rolamentos mais pequenos podem ser colocados sobre qualquer uma das duas barras padrão. Veja os exemplos nas ilustrações no início deste manual.

1.2 Princípio de funcionamento

O princípio de funcionamento do TIH 220m pode ser comparado ao de um transformador. A alta tensão, de baixa corrente elétrica, que passa nas espiras da bobina de indução do TIH 220, induz baixa tensão, ou seja alta intensidade de corrente elétrica na peça de trabalho. Como a peça de trabalho se comporta como uma bobina de uma espira só, a alta intensidade de corrente, gera calor apenas na peça de trabalho. Dado que o calor é gerado apenas na peça de trabalho, todos os componentes do aquecedor permanecem frios.



1.3 Características distintivas

- **Painel do controle remoto**
Para melhorar a fácil utilização e para ajudar a reduzir o risco de contato com o rolamento quente durante o funcionamento, o aquecedor TIH 220m é fornecido com um painel do controle remoto que pode separar-se do aquecedor.
- **Bobina de indução**
Quando quente, a peça de trabalho é localizada na mesma posição no núcleo que a bobina de indução. Este modelo melhora a eficiência, resultando num menor consumo de energia e num aquecimento mais rápido, o que reduz o custo para aquecer cada rolamento.
- **Suportes retráteis do rolamento**
Para suportar grandes rolamentos posicionados à volta da bobina de indução, o aquecedor por indução TIH 220m está equipado com suportes retráteis do rolamento. Veja as ilustrações no início deste manual.
- **Barra deslizante**
Para facilitar o manuseamento da barra durante a colocação do rolamento à volta da bobina de indução ou à volta da barra superior, o TIH 220m está equipado com arranjo deslizante para a barra grande.
- **Armazenamento das barras**
Uma pequena barra pode ser alocada dentro do aquecedor. O compartimento onde são guardadas as forquilhas está localizado atrás do suporte do rolamento. Veja as ilustrações no início deste manual.

2. Descrição

O funcionamento do aquecedor é controlado pelo sistema eletrónico interno em qualquer um dos dois modos. O operador pode selecionar a temperatura do rolamento desejada no TEMP MODE (MODO TEMPERATURA) ou configurar o tempo durante o qual o rolamento será aquecido no TIME MODE (MODO TEMPO). O nível de potência pode ser ajustado para 100% ou 50% para um aquecimento mais lento de peças de trabalho sensíveis (por exemplo, rolamentos com folga C1 ou C2).

2.1 Componentes

O aquecedor por indução TIH 220m contém um núcleo de ferro em U com uma bobina de indução a rodear um dos suportes verticais. Está incluído um painel do controle remoto destacável. O sistema eletrónico do controle remoto e o sistema eletrónico interno controlam o funcionamento do aquecedor. Uma barra amovível na parte superior dos suportes verticais permite a colocação da peça de trabalho no aquecedor. A maior das duas barras pode girar ao redor do respectivo eixo vertical.

Para acomodar as peças de trabalho de menores dimensões, também são fornecidas duas barras pequenas. O aquecedor inclui uma sonda de temperatura. As luvas resistentes ao calor também estão incluídas.

TIH 220m	
Tensão ($\pm 10\%$): TIH 220m/MV TIH 220m/LV	400 - 460V / 50 - 60Hz 200 - 240V / 50 - 60Hz
Proteção de linha recomendada: TIH 220m/MV TIH 220m/LV	Requisito mínimo 25 A Requisito mínimo 50 A
Consumo de energia (máximo)	10,0 - 11,5 kVA para 400 - 460 V
Controle de temperatura	0 - 250 °C em intervalos de 1°
Tipo de sonda	Termo-par, tipo K
Temperatura máxima da sonda	250 °C (482 °F)
Modo tempo	0 - 60 minutos; em intervalos de 0,1 minutos
Gama de potência	100% - 50%
Desmagnetização	automática; magnetismo residual <2A/cm
Dimensões totais (largura x profundidade x altura)	750 x 290 x 440 mm
Área entre os suportes (largura x altura)	250 x 255 mm
Diâmetro da bobina	140 mm Para um diâmetro mínimo do furo do rolamento de 150 mm
Peso (com barras)	86 kg
Peso máximo da peça de trabalho	Rolamento: 300 kg Componente sólido: 150 kg
Temperatura de aquecimento máxima	400 °C aprox.
m_{20}^*	220 kg (rolamento 23172)
Dimensões da barra padrão: 70 x 70 x 430 mm 40 x 40 x 430 mm	Para um diâmetro mínimo do furo do rolamento de: 100 mm 60 mm

* m_{20} representa o peso (kg) do rolamento SRB 231 mais pesado que pode ser aquecido de 20 para 110 °C em 20 minutos.

3. Instalação da tomada de rede

Deve ser instalada uma tomada de rede adequada por um electricista qualificado. A tensão de alimentação correta é mostrada na seção 2.2.

Os fios devem ser ligados da seguinte forma:

TIH 220m/MV, TIH 220m/LV 200V-3 phases, e demais versões de três fases

Cor do fio do TIH 220m/xx	Terminal da fonte de alimentação
amarelo / verde	terra
azul	fase 1
castanho	fase 2

Ligue o TIH 220m/MV apenas a duas das três fases.

TIH 220m/LV fornecido com uma fase

Cor do fio do TIH 220m/LV	Terminal da fonte de alimentação
amarelo / verde	terra
azul	neutro
castanho	fase 1

4. Preparação para uso

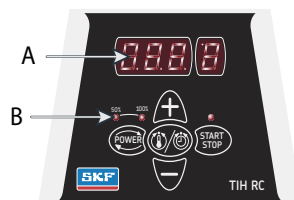
- Coloque o TIH 220m na posição horizontal sobre uma superfície estável.
- Ligue a tomada de rede a uma fonte de alimentação adequada.
- Ligue o controlo remoto ao conector no lado do manípulo de transporte do aquecedor.
- Empurre a forquilha deslizante para a posição aberta. Veja as ilustrações no início deste manual.
- Para peças de trabalho com um diâmetro suficientemente grande para encaixar sobre a bobina de indução, siga estes passos:
 - Abra o suporte retráctil do rolamento e posicione-as como demonstrado nas ilustrações no início deste manual.
 - Coloque a peça de trabalho sobre a bobina de indução utilizando o equipamento de elevação adequado.
 - Para um melhor desempenho, ajuste a posição da peça de trabalho de forma que a bobina de indução fique no centro.
 - Feche barra deslizante de forma que cubra completamente a parte de cima dos suportes verticais.
- Para as peças de trabalho que não encaixem sobre a bobina de indução, siga estes passos:
 - Escolha a maior das duas barras que encaixe no diâmetro interno da peça de trabalho.
 - Deslize a peça de trabalho para a barra que escolheu.
 - Posicione a barra no TIH 220m com a parte inferior brilhante apoiada uniformemente nos dois suportes verticais.
- Se utilizar o TEMP MODE (MODO TEMPERATURA), ligue a sonda de temperatura ao conector que se encontra no lado do manípulo de transporte do aquecedor. Coloque a extremidade magnética da sonda no anel interno do rolamento ou na superfície mais interna da peça de trabalho.
- Ligue o TIH 220m.
- Observe o auto-teste do visor do controlo remoto e a tonalidade do sinal.

5. Funcionamento

5.1 Função dos visores

- A "O visor do controlo remoto mostra o tempo ou temperatura seleccionada para o aquecimento.
 B "Os LEDs da potência mostram a configuração da potência seleccionada.

Visor	Indicação
t	tempo em minutos
°C	temperatura em graus Celsius
°F	temperatura em graus Fahrenheit



5.2 Função dos botões

Botão	Função
POWER	Prima para ajustar a potência A potência seleccionada é indicada com um LED
MODE	Prima para alternar entre o TIME MODE (MODO TEMPO) e o TEMP MODE (MODO TEMPERATURA)
UP (+)	Prima para aumentar o valor mostrado no visor do controlo remoto
DOWN (-)	Prima para diminuir o valor mostrado no visor do controlo remoto
START / STOP	Prima para iniciar ou parar o aquecedor O LED no botão START / STOP acende-se quando o aquecedor está a aquecer e pisca durante a medição de temperatura

5.3 TEMP MODE (MODO TEMPERATURA)

- Se o visor principal mostrar 't', prima MODE para seleccionar o MODO TEMPERATURA. O visor do controlo remoto indica °C ou °F no MODO TEMPERATURA.
- A temperatura seleccionada é mostrada no visor do controlo remoto. A temperatura predefinida para rolamentos é de 110 °C. Se desejar uma temperatura diferente, prima UP (CIMA) ou DOWN (BAIXO) para ajustar a temperatura em intervalos de 1°.
- Pode ser conveniente aquecer os rolamentos a temperaturas superiores a 110 °C para aumentar o tempo de montagem disponível. Consulte as especificações do rolamentos SKF para determinar a temperatura máxima permitida. Certifique-se sempre de que o rolamento não se bloqueia devido a uma expansão excessiva do anel interno em comparação com o anel externo. Veja a secção 5.8.
- Se necessário, prima POWER para seleccionar o nível de potência. Utilize as directrizes da secção 5.8 para determinar a configuração de potência correcta.
- Assegure-se de que a sonda de temperatura se encontra montada no anel interior do rolamento.

- Prima START / STOP para iniciar o aquecedor. O visor do controlo remoto mostra a temperatura actual da peça de trabalho.
- Durante o aquecimento, é possível mostrar a temperatura seleccionada durante 1 segundo premindo MODE.
- Quando tiver sido atingida a temperatura seleccionada, o aquecedor desmagnetiza a peça de trabalho, desliga e emite um sinal sonoro durante 10 segundos ou até o botão START / STOP ser premido.
- Prima START / STOP para cancelar o sinal sonoro e parar o aquecedor.
- Remova a peça de trabalho com o equipamento de manuseamento adequado.
- Se a peça de trabalho permanecer no aquecedor, este arrancará novamente quando a temperatura das peças de trabalho diminuir 10 °C. Prima START/ STOP para parar o aquecedor e desmagnetizar a peça de trabalho.
- O TIH 220m está agora pronto para aquecer outra peça de trabalho com as mesmas configurações.

5.4 TIME MODE (MODO TEMPO)

- Se o visor do controlo remoto mostrar °C ou °F, prima MODE para seleccionar o MODO TEMPO. O visor do controlo remoto mostra "t" no MODO TEMPO.
- Prima UP ou DOWN para ajustar o tempo em intervalos de 0,1 minutos.
- Prima POWER para seleccionar o nível de potência. Utilize as directrizes da secção 5.8 para determinar a configuração de potência correcta.
- Prima START / STOP para iniciar o aquecedor. O visor do controlo remoto mostra o tempo que falta.
- Durante o aquecimento, é possível mostrar a temperatura medida pela sonda durante dois segundos premindo MODE.
- Decorrido o tempo, o aquecedor desmagnetiza a peça de trabalho, desliga, e gera um sinal sonoro durante 10 segundos.
- Prima START / STOP para cancelar o sinal sonoro e parar o aquecedor.
- Remova a peça de trabalho com o equipamento de manuseamento adequado.
- O TIH 220m está agora pronto para aquecer outra peça de trabalho com as mesmas configurações.

5.5 Medição da temperatura

Quando o aquecedor não está em funcionamento, a temperatura da peça de trabalho pode ser medida premindo MODE e START / STOP ao mesmo tempo. O LED no botão START / STOP pisca durante a medição de temperatura. Prima START / STOP para cancelar a medição de temperatura.

5.6 Alteração da unidade de temperatura

Prima MODE e UP ao mesmo tempo para mudar entre °C e °F. A configuração da unidade de temperatura permanece mesmo depois de desligar da rede de alimentação.

A peça de trabalho é desmagnetizada automaticamente quando o aquecimento estiver completo. A desmagnetização não ocorrerá se houver uma falha de energia ou se o interruptor principal estiver desligado. Para utilizar o TIH 220m apenas para desmagnetizar, selecione o MODO TEMPO e configure o tempo para 0,1 minutos (6 segundos).

5.8 Seleção do nível de potência

Ao aquecer rolamentos com um aquecedor por indução, a maior parte do calor será gerado no anel interior. O calor será então transferido através do rolamento. É por isso importante que os rolamentos com uma folga interna reduzida sejam aquecidos lentamente. O aquecimento lento assegura que o rolamento se estende uniformemente, evitando assim que o rolamento se danifique.

A forma, peso, tamanho e folgas internas afectam o tempo necessário para aquecer um rolamento. A grande variedade de tipos de rolamentos impede a possibilidade de fornecer uma configuração do nível de potência específico para cada tipo. Em vez disso, são fornecidas as seguintes directrizes:

- “Para rolamentos sensíveis (incluindo rolamento com folga interna C1 ou C2) ou rolamentos com casquilho de latão, não exceda os 50% de potência.
- “Quando utilizar a barra pequena nunca exceda os 50% de potência.

Para rolamentos do Tipo SRB e CARB, cuidados especiais devem ser tomados ao executar o aquecimento na posição horizontal e a subsequente montagem, especialmente para eixos verticais. O peso dos rolos fará com que assentem na posição mais baixa possível: estarão em contato com ambas as pistas, propiciando uma redução na folga interna. Para os rolamentos pesados do tipo SRB e CARB com rolos pesados recomendamos enfaticamente o emprego de anéis centradores. O anel centrador mantém os rolos na posição, no centro das pistas durante o processo de aquecimento e montagem.

6. Características de segurança

O TIH 220m encontra-se equipado com as seguintes características de segurança:

- “Protecção automática contra sobreaquecimento
- “Controlo automático de corrente
- “Disjuntor de sobrecarga.
- “No MODO TEMPERATURA o aquecedor desliga se a sonda de temperatura não registar um aumento de temperatura de 1 °C a cada 15 segundos (0,25 minutos). Para aumentar o intervalo para 30 segundos (0,50 minutos), prima MODE e DOWN ao mesmo tempo.

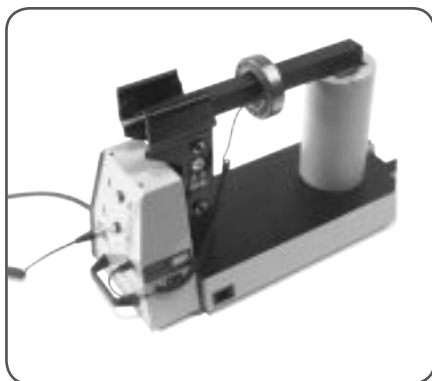
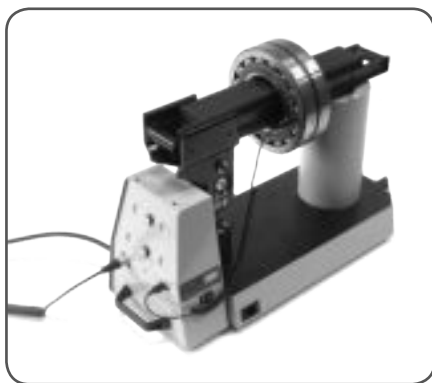
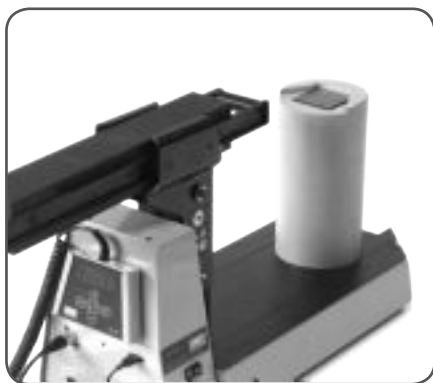
7. Resoluções de problemas

Uma anomalia do sistema será indicada através de um sinal sonoro e um dos seguintes códigos de anomalia será visualizado no visor do controlo remoto:

Visor	Anomalia	Ação
E03 E	Bobina sobreaquecida	Espere até a bobina de indução arrefecer Desligue o aquecedor e volte a ligar
E05 E	Aumento de temperatura inferior a 1 °C de 15 em 15 segundos (ou 1° de 30 em 30 segundos)	Verifique a ligação da sonda de temperatura. Se a ligação estiver correcta, seleccione o intervalo de 30 segundos conforme descrito na secção 6 ou utilize o aquecedor no MODO TEMPO
E06 E	A sonda de temperatura não está ligada (ou tem defeitos) ou descida excessiva de temperatura	Verifique a sonda de temperatura
E10 E	Problema de comunicação do	Desligue o aquecedor e volte a ligar Se o problema permanecer, devolva o TIH à SKF para reparação
E11 E	Problema de comunicação do	Desligue o aquecedor e volte a ligar Se o problema permanecer, devolva o TIH à SKF para reparação
E12E	Problema de comunicação do	Desligue o aquecedor e volte a ligar Se o problema permanecer, devolva o TIH à SKF para reparação

8. Peças sobressalentes

TIH 220-PMV	Power print de 400 - 460V, 50 - 60 Hz
TIH 220-PLV	Power print de 200 - 240V, 50 - 60 Hz
TIH 220-Y10	Barra de 70 x 70 x 430 mm
TIH 220-Y6	Barra de 40 x 40 x 430 mm
TIH 220-YS	Conjunto de barras de suporte - 70 x 70 x 150 mm (2x)
TIH CP	Placa de controlo
TIH RC	Controlo remoto
TIH CB25A	Disjuntor de 25A para TIH 220m/MV
TIH CB50A	Disjuntor de 50A para TIH 220m/LV
TIH P20	Sonda de temperatura tipo K, incl. cabo e ficha



目 录

符合欧盟相关产品条例的声明	76
安全需知	77
1. 简介	78
1.1 用途	78
1.2 工作原理	78
1.3 产品特点	79
2. 描述	79
2.1 组件	79
2.2 技术参数	80
3. 接上电源接头	80
4. 用前准备	81
5. 操作	82
5.1 显示	82
5.2 按键功能	82
5.3 温度模式	82
5.4 时间模式	83
5.5 温度测量	83
5.6 改变温度单位	83
5.7 退磁	83
5.8 加热功率选择	84
6. 安全保护	84
7. 故障排除	85
8. 备件	85

符合欧盟相关产品条例的声明

我们,

SKF维护产品
Kelvinbaan 16
3439 MT Nieuwegein
荷兰

在此声明, 以下产品:

SKF感应加热器
TIH 220M系列

的设计和制造遵从

欧盟电磁兼容指令VOLTAGE DIRECTIVE 2006/95/EC

欧盟电磁兼容指令EMC DIRECTIVE 2004/108/EC, 以及其它相关条例

EN61000-6-3:2007 /A1:2011

EN61000-6-2:2005

EN61000-4-2

EN61000-4-3

EN61000-4-4

EN61000-4-5

EN61000-4-6

EN61000-4-8

EN61000-4-11

欧洲 ROHS 指令 2011/65/EU

Nieuwegein, 荷兰,

2014年11月



Sébastien David

产品研发与质量经理



安全需知

- 由于TIH 220m加热器在工作时会产生磁场，因此在使用时，带心脏起搏器的人不可以站在距加热器周围5米范围内。另外一些电子产品，如手表，也会受到电磁场的影响。
- 在加热过程中，请保持距离工件、加热器线圈或铁芯50cm的安全距离。
- 在任何时候请遵从本说明书进行操作。
- 确保使用正确的电源电压。
- 在TIH 220m加热器和被加热的工件之间存在电位时，有可能产生电弧。但这对人体没危险，也不会损坏加热器和工件。但是，千万不要在有爆炸危险的区域使用TIH 220m 加热器。
- 不要将TIH 220m加热器置于水汽冷凝的环境或者是直接与水接触。
- 在加热器工作时，不要直接接触TIH 220m加热器的电磁感应线圈、铁芯、磁轭或工件。
- 在磁轭没有放置到位的情况下，千万不要启动TIH 220m加热器。
- 加热器TIH 220m工作时，千万不要让控制面板的电缆从支撑磁轭的两个立柱间穿过。
- 不要自行改装TIH 220m加热器。
- 请使用合适的设备搬运重型工件。
- 避免直接接触加热后的工件，特别是轴承保持架，它有比轴承内外圈更高的温度，请使用随加热器一起提供的耐热手套来搬运工件。
- 电磁感应法加热轴承时，在内圈上的温度比外圈温度高很多，请确保温差引起内外圈不同的膨胀量不会导致滚动体卡死。
- 确保磁轭接触面朝下，与立柱铁芯顶端端面垂直接触。



1. 简介

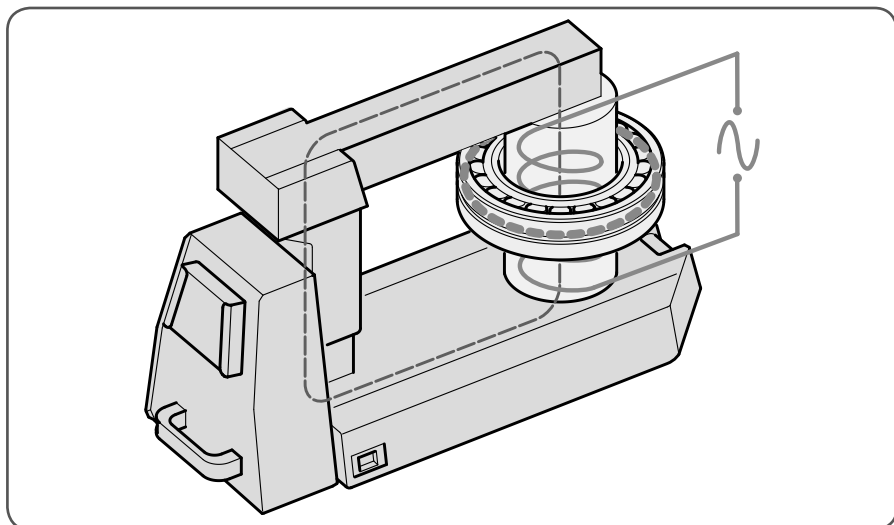
SKF的TIH 220m感应式加热器设计用来加热与轴过盈配合的轴承，加热使轴承膨胀，安装时不再需要加机械安装力。当轴承与轴的温差达到90°C时，安装所需的膨胀量是足够的。当环境温度为20°C时，轴承也就需要加热到110°C。

1.1 用途

TIH 220m加热器设计用于加热滚动轴承。然而，其它构成铁磁性回路的工件也可以被加热。例如衬套、扣环、皮带轮、齿轮、联轴器等。所有能够套到感应线圈上、横跨在支撑立柱间（磁轭放置到位）的轴承都可以使用TIH 220m加热器来加热。此外，小尺寸的轴承还可以挂在两根不同规格的标准配置的磁轭上加热。有关使用，请参阅本说明书最前面的示意图。

1.2 工作原理

TIH 220M感应式加热器可以比作变压器。高电压、低电流通过TIH 220m感应线圈，而在工件上产生低电压、高电流。因为工件的电磁特性相当于单匝的短路线圈，在工件内产生高电流而生热。因为电流产生于工件内部，所以加热器的其它组件不会被加热。



1.3 产品特点

- **可移动的控制面板**
提高了使用的方便性、降低了操作过程中碰到被加热工件而被烫伤的危险，随加热器一块提供的可移动的控制面板可以吸附到加热器侧面上。
- **电磁感应线圈**
把要加热的工件套在电磁感应线圈上，这样的设计提高了加热效率，减少了能耗，更快地加热，从而降低加热每一套轴承所需的成本。
- **可折叠的支撑地脚**
为了能支撑套在电磁感应线圈上的大型轴承，TIH 220m电磁感应加热器采用了可折叠的三角支撑结构。参见本说明书最前面的示意图。
- **滑动磁轭**
在将轴承套上电磁感应线圈或者是挂在磁轭上时，为便于操作，TIH 220m的大尺寸的磁轭配有滑动装置。
- **磁轭存储室**
小尺寸的磁轭可以放在加热器的磁轭存储室里。磁轭存储室位于折叠支撑脚的后面。参见本说明书开始时的示意图。

2. 描述

加热器的操作控制是通过内部电子线路来完成的，有两种模式。使用者可以在“温度模式”下设定轴承需要加热的目标温度，也可以在“时间模式”下设定需要加热的长度。加热功率可以从100%调为50%，以减缓对热敏工件（如C1、C2游隙的轴承）的加热速度。

2.1 组件

TIH 220m感应式加热器包括一个U型的铁芯和缠绕在侧面垂直支柱上的感应线圈，以及一个可吸附在加热器上的控制面板。可移动面板里的电子线路和加热器内的电子线路用于控制加热器。在两个支撑立柱上放置一个可取下来的磁轭，以便将工件放到加热器上。两根标准配置的磁轭中最大的那一个可以在垂直立柱上滑动，为了便于加热小尺寸的工件，随机提供了一个小的磁轭。加热器还包括有一个温度传感器和一双隔热手套。

TIH 220m	
电压 ($\pm 10\%$) : TIH 220m/MV TIH 220m/LV	400 - 460V / 50 - 60Hz 200 - 240V / 50 - 60Hz
推荐的电源保护: TIH 220m/MV TIH 220m/LV	最小 25 A 最小 50 A
功率 (最大)	10.0 - 11.5kVA (400 - 460V)
温度控制	0 - 250 °C, 步进单位1°C
温度传感器类型	耦合, K型
传感器最大温度	250 °C
时间控制	0 - 60分钟, 步进单位为0.1分钟 (6秒)
功率范围	100% - 50%
退磁功能	自动剩磁 < 2A/cm
外形尺寸 (w x d x h)	750 x 290 x 440 mm
支撑立柱间距 (工作面 w x h)	250 x 255 mm
电磁感应线圈直径	140 mm, 可加热轴承最小内径为150 mm
重量 (含磁轭)	86 kg
可加热工件最大重量	轴承300kg, 环形实体工件150kg
可加热最高温度	约 400 °C
m_{20}^*	220kg (对应轴承23172)
标配磁轭: 70 x 70 x 430 mm 40 x 40 x 430 mm	适用轴承内径大于等于 100 mm 60 mm

* m_{20} 表示在20分钟内从20°C加热到110°C的SRB 231轴承的最大重量 (kg)。

3. 接上电源接头

必须由具有电气资质的工程师接上一个合适的电源接头。所需接入的正确电源参见2.2节, 请按下述说明进行接线。

TIH 220M/MV和TIH 220M/LV均使用200V的三相电。

TIH 220M/MV接线颜色	供电电源接线
黄/绿线	接地线
蓝线	第一相线（火线1）
褐线	第二相线（火线2）

对TIH 220M/MV，两相火线均要接。

TIH 220M/LV只需其中一相火线。

TIH 220M/LV接线颜色	供电电源接线
黄/绿线	接地线
蓝线	零线
褐线	第一相线（火线1）

4. 用前准备

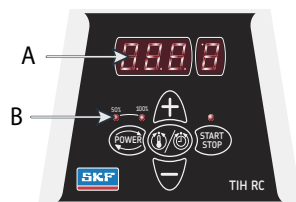
- 将TIH 220M放置在平稳的水平面上。
- 正确地连接电源电线。
- 将可移动的控制面板接入加热器手柄侧的接口。
- 将磁轭滑出，参见本说明书最前面的示意图。
- 对内孔足够大的工件套到电磁感应线圈上，请遵循以下操作步骤：
 - 展开加热器的支撑地脚，见本说明书最前面的示意图。
 - 使用相应的搬运设备将工件套到电磁感应线圈上。
 - 为了得到最好的加热效果，调整工件的位置，让感应线圈居于工件的中心。
 - 合上滑出的磁轭，使它与加热器两立柱顶端端面完全接触。
- 不能够套到电磁感应线圈上的工件，请遵循以下操作步骤：
 - 从标准配备的两根磁轭中选择能够穿过工件内孔的最大的那一根。
 - 将工件穿到选中的那根磁轭上。
 - 将磁轭放置到TIH 220m加热器上，确保磁轭光亮的那边朝下，并与加热器的两立柱顶端端面有完好的接触。
- 若选择了温度模式（TEMP MODE），请将温度传感器插头插到加热器手柄侧的接口，将温度传感器的磁吸探头吸附到轴承的内圈或者是其它工件最靠近里面的地方。
- 打开TIH 220m的电源。
- 留意可移动控制面板的显示和其它信号。

5. 操作

5.1 显示

- A 控制面板显示需要加热到的目标温度或时间长度
- B LED电源指示灯显示选定的加热功率

显示	意义
t	时间，以分钟为单位
°C	摄氏温度
°F	华氏温度



5.2 按键功能

按键	功能
POWER	按下，循环选择功率。选定的加热功率为LED灯指示出来
加热模式	按下，循环选择时间模式 (TIME MODE) 或温度模式 (TEMP MODE)，见图中时钟/温度计图标
UP (+)	按下或按住，增加控制面板上显示的数值
DOWN (-)	按下或按住，减小控制面板上显示的数值
START / STOP	按下，启动或者停止加热程序。加热器工作的时候，START / STOP按键上方的LED灯亮，在测温过程中，该LED灯闪烁

5.3 温度模式

- 如果可移动控制面板显示“t”，按下“加热模式”键，选择温度模式 (TEMP MODE)，在温度模式下，控制面板显示°C或°F。
- 设定的加热目标温度显示在控制面板上。默认的轴承加热目标温度为110°C。若需要加热的目标温度与此不符，请按“上/下”键调到想要的温度，步进长度为1°C。
- 若轴承安装过程中所需时间要长，是需要把轴承加热超过110°C的。请查询SKF轴承技术参数，确定轴承允许加热的最高温度。无论怎样，加热过程中因为内圈相对于外圈有更大的膨胀，请确保轴承不会被卡死。参见5.8节。
- 若有需要，请按“POWER”键选择加热功率水平。参见5.8节中的指导说明选择合适的加热功率。
- 请确认温度传感器装到了轴承内圈上。
- 按下“START / STOP”键启动加热器。控制面板显示工件的当前温度。
- 在加热过程中，按下“加热模式”键可以显示设定的加热目标温度。
- 当加热至目标温度，加热器会自动对工件进行退磁、关闭并发出长为10秒的提示音直至按下“START / STOP”键。
- 按下“START / STOP”键终止提示音，停止加热。
- 用合适的搬运设备取下加热好的工件。

- 加热后的工件继续放在加热器上，若温度下降了10°C，加热器就会重新启动。按下“START / STOP”停止加热并自动退磁。
- TIH 220m加热器可继续用同样的设置来加热下一个工件。

5.4 时间模式

- 若控制面板显示°C或°F，按下“加热模式”键，选择时间模式（TIME MODE），在时间模式下，控制面板显示“t”。
- 按“上/下”键调节加热时间长度，步进单位为0.1分钟。
- 按下“POWER”键，选择加热功率水平。参见5.8节中的指导说明选择合适的加热功率。
- 按下“START / STOP”键启动加热器。控制面板显示剩余的加热时间。
- 在加热过程中，按下“加热模式”键数秒，温度传感器可显示工件的当前温度（温度传感器已安装到工件最靠里面的地方）。
- 当加热到了设定的时间，加热器会自动对工件退磁、关闭并发出长为10秒的提示音。
- 按下“START / STOP”键可终止提示音，停止加热。
- 用合适的搬运设备取下加热好的工件。
- TIH 220m加热器可继续用同样的设置来加热下一个工件。

5.5 温度测量

在加热器没工作的情况下，可同时控下“加热模式”键和“START / STOP”键来测量工件的温度。在测量过程中，“START / STOP”键上方的LED灯会闪烁。再次按下“START / STOP”键，停止温度测量。

5.6 改变温度单位

同时按下“加热模式”键和“上”键，循环选择°C或°F。温度单位选择好后，即使断开了电源，设置将会保持不变。除非主动修改这一设置。

5.7 退磁

在加热完成的时候，加热会自动对工件退磁。在电源中断或者是断路器断开时，自动退磁功能失效。若只使用TIH 220m加热器的退磁功能，请选用时间模式，并将加热目标时间长度设定为0.1分钟（6秒）。

5.8 加热功率选择

使用感应加热器加热轴承时，大部分热量产生在轴承内圈，热量会传递到整个轴承。对于游隙较小的轴承，缓慢地加热就非常重要。缓慢加热能确保轴承均匀膨胀，以防损坏轴承。所需加热时间与轴承的形状、重量、尺寸以及内部游隙都有关系。由于轴承的种类及型号繁多，因此不可能为每一种型号指定某一加热功率水平。但是，我们提供以下指导：

- 对热敏感的轴承（如C1、C2游隙）或黄铜保持架的轴承，不要超过50%加热功率
- 使用小尺寸的磁轭时，不要超过50%加热功率

对于SRB和CARB®轴承，水平放置加热以及后续的安装，尤其是在垂直轴上，需要特别的注意。滚动体自身的重量总是促使其停在最低的位置：即会与两个滚道同时接触，减小了轴承内部游隙。对重型的SRB或CARB®轴承，滚动体更重，我们强烈建议使用滚动体中心定位套环。滚动体中心定位套环可以确保在轴承加热和安装过程中居于滚道的中央。

6. 安全保护

TIH 220m具有以下安全保护功能：

- 自动过热保护
- 自动电流控制
- 过电流断路器
- 在温度模式下，每15秒（0.25分钟）内检测到的温度上升不及1°C，加热器会自动关闭。要把时间间隔增加到30秒（0.50分钟），请同时按下“加热模式”和“下”键。

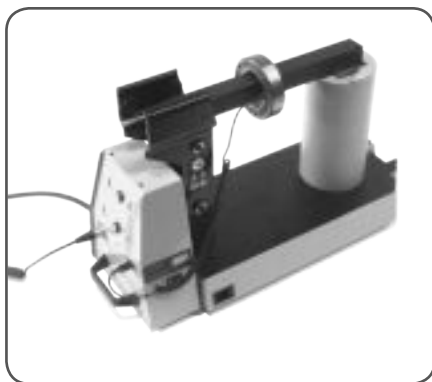
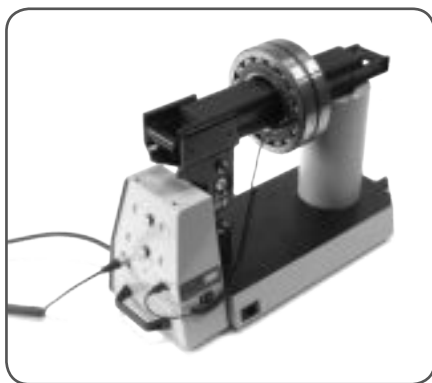
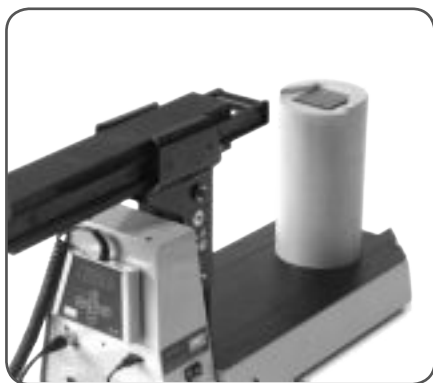
7. 故障排除

加热器故障时，系统会发出提示音，显示器可能显示以下故障代码：

故障代码	故障原因	措施
E03 E	感应线圈过热	等到感应线圈冷却。关闭加热器，过一段时间再启动
E05 E	15秒（或30秒）内温升小于1°C	请检查温度传感器的连接。如果连接正常，按6节所述将时间间隔调整为30秒。或者选择时间加热模式
E06 E	温度传感器没有连接（或出故障）或温度急速下降	请检查温度传感器
E10 E	电子通讯故障	请关闭加热器，再重新启动。若问题还存在，请送回SKF
E11 E	电子通讯故障	请关闭加热器，再重新启动。若问题还存在，请送回SKF
E12E	电子通讯故障	请关闭加热器，再重新启动。若问题还存在，请送回SKF

8. 备件

TIH 220-PMV	电源电路板， 400 - 460V, 50 - 60 Hz
TIH 220-PLV	电源电路板， 200 - 240V, 50 - 60 Hz
TIH 220-Y10	磁轭， 70 x 70 x 430 mm
TIH 220-Y6	磁轭， 40 x 40 x 430 mm
TIH 220-YS	支撑立柱组， 70 x 70 x 150 mm（每组2个）
TIH CP	控制电路板
TIH RC	可移动控制面板
TIH CB25A	25A断路器，用于TIH 220M/MV
TIH CB50A	50A断路器，用于TIH 220m/LV
TIH P20	温度传感器，K型，包括电缆和插头



Декларация соответствия ЕС	88
Рекомендации по безопасности	89
1. Введение.....	90
1.1 Рекомендованное применение	90
1.2 Принцип работы	90
1.3 Особенности.....	91
2. Описание.....	91
2.1 Компоненты	91
2.2 Технические характеристики.....	92
3. Подключение	92
4. Подготовка к использованию.....	93
5. Эксплуатация	94
5.1 Показания дисплея.....	94
5.2 Функции клавиш	94
5.3 Режим Temp Mode	94
5.4 Режим Time Mode.....	95
5.5 Измерение температуры	95
5.6 Выбор температурной шкалы °C или °F	95
5.7 Размагничивание.....	96
5.8 Выбор уровня мощности	96
6. Функции безопасности	96
7. Неисправности	97
8. Запасные части	97

Декларация соответствия ЕС

Мы,
SKF Maintenance Products
Kelvinbaan 16
3439 MT Nieuwegein
The Netherlands (Нидерланды)

настоящим заявляем, что следующий продукт:

Индукционный нагреватель SKF серии ТИН 220М

был разработан и изготовлен в соответствии с:
Европейская директива по низковольтному оборудованию 2006/95/EC
Директивой EMC 2004/108/EC, как указано в согласованных нормах
EN61000-6-3:2007 /A1:2011
EN61000-6-2:2005
EN61000-4-2
EN61000-4-3
EN61000-4-4
EN61000-4-5
EN61000-4-6
EN61000-4-8
EN61000-4-11

Европейская Директива 2011/65/EU по ограничению использования опасных веществ в электрооборудовании и электронном оборудовании

Nieuwegein, Нидерланды
Ноябрь 2014



Себастьян Дэвид (Sébastien David)
Менеджер отдела проектирования и качества



Рекомендации по безопасности

- Поскольку ТИН 220m генерирует магнитное поле, люди, носящие сердечные стимуляторы, не должны находиться ближе 5 метров от работающего нагревателя. Электронное оборудование также может быть подвержено влиянию магнитного поля;
- В течение процесса нагрева сохраняйте безопасную дистанцию 50 см (1.6 фт) от нагреваемой детали, катушки и корпуса нагревателя.
- При эксплуатации нагревателя необходимо четко следовать инструкции.
- Напряжение в сети питания должно соответствовать техническим требованиям нагревателя.
- Во время работы нагревателя может возникнуть электрическая искра между прибором и нагреваемой деталью. Это не опасно для оператора и не может стать причиной повреждения нагревателя или детали. Однако ТИН 220m не должен использоваться в зонах с повышенной взрывоопасностью.
- Не допускать эксплуатации нагревателя в условиях высокой влажности и/или при прямом контакте с водой.
- Не прикасайтесь к катушке, корпусу, сердечнику нагревателя или нагреваемой детали в процессе нагрева.
- Не включать нагреватель без сердечника.
- Не используйте нагреватель с кабелем блока удаленного контроля между опорами сердечников.
- Не ремонтируйте ТИН 220m.
- Используйте специальные инструменты для перемещения тяжелых деталей.
- Не прикасайтесь к нагретым деталям, особенно к сепаратору подшипника, который имеет более высокую температуру, чем подшипник. Носите специальные термозащитные перчатки для работы с нагретыми деталями
- При использовании индукционного нагревателя температура внутреннего кольца подшипника будет выше, чем температура наружного кольца. Убедитесь, что разница в увеличении размеров колец достаточна для недопущения заклинивания тел качения.
- Убедитесь, что сердечник направлен стороной заземления вниз и имеет надлежащий контакт со стойками.



1. Введение

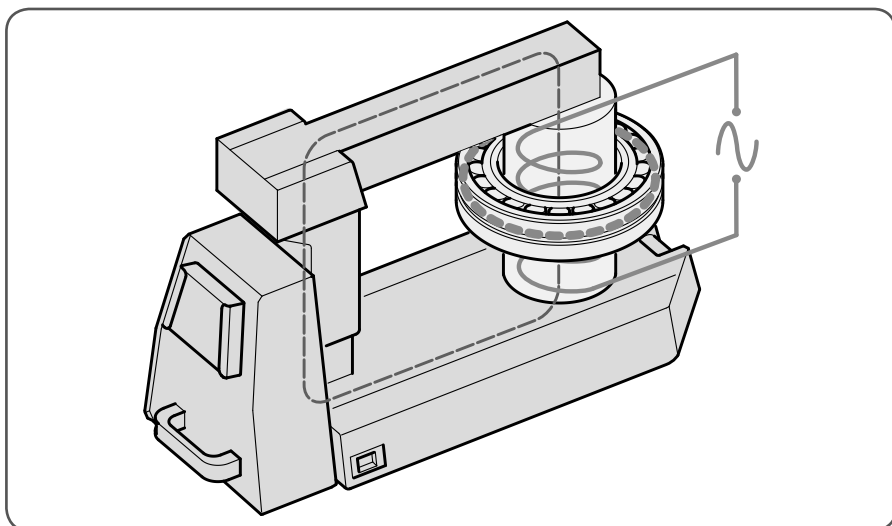
Нагреватель SKF TИH 220m разработан для нагрева подшипников, предназначенных для посадки с натягом на вал. Вследствие нагрева диаметр подшипника увеличивается, поэтому нет необходимости прикладывать усилие для монтажа. Разности температур в 90 °C (162 °F) между подшипником и валом обычно достаточно для монтажа. Следовательно, при температуре окружающей среды 20 °C подшипник должен быть нагрет до 110 °C (230 °F).

1.1 Рекомендованное применение

Нагреватель TИH 220m предназначен для нагрева подшипников качения. Однако, другие металлические детали, такие как, посадочные кольца, шкивы, шестерни, втулки, полумуфты и т.д, также можно нагревать с помощью данного прибора. Все подшипники, которые могут быть размещены на вертикальной индукционной катушке, либо на верхнем сердечнике, могут быть нагреты TИH 220m. Кроме того, малые подшипники могут быть размещены на любом из трех стандартных сердечников, например как показано на иллюстрациях в начале инструкции.

1.2 Принцип работы

Принцип работы нагревателя основан на том, что сердечник нагревателя представляет собой индукционную катушку с большим количеством витков, следовательно, по ней протекает малый электрический ток, а нагреваемый подшипник представляет собой катушку с короткозамкнутым кольцом, по которой протекает большой электрический ток, благодаря чему подшипник нагревается. В то время как нагревается деталь, все остальные компоненты нагревателя остаются холодными.



1.3 Особенности

- **Блок дистанционного управления**
Для облегчения эксплуатации и во избежание возможности контакта с нагретыми деталями в процессе работы, нагреватель ТИН 220m снабжен съемной панелью удаленного доступа.
- **Индукционная катушка**
Отличительной особенностью нагревателя является размещение индукционной катушки непосредственно в отверстии нагреваемой детали. Это повышает эффективность нагрева, снижает энергопотребление и время нагрева, и, следовательно, уменьшает стоимость нагрева каждого подшипника.
- **Складная опора для подшипников**
Для поддержания больших подшипников, располагаемых вокруг катушки, нагреватель снабжен опорами, работа с которыми показана в начале данной инструкции.
- **Поворотный сердечник**
Для облегчения работы при расположении детали вокруг индукционной катушки или вокруг сердечника ТИН 220m оборудован поворотным узлом для большого сердечника.
- **Хранение сердечников**
Все три сердечника могут храниться внутри нагревателя. См. иллюстрацию в начале инструкции.

2. Описание

Операция нагрева контролируется встроенной электроникой. Оператор может сам установить желаемую температуру подшипника в режиме «TEMP MODE» или установить длительность времени нагрева подшипника в режиме «TIME MODE». Уровень мощности может быть отрегулирован ступенчато, от 100% до 50% для медленного или бережного нагрева чувствительных деталей (например, для подшипников с зазором С1 или С2).

2.1 Компоненты

Индукционный нагреватель ТИН 220m содержит U-образный металлический сердечник с индукционной катушкой вокруг вертикальной опоры. Электроника блока дистанционного управления и встроенная электроника нагревателя контролируют работу прибора. Съемная часть магнитопровода на вертикальной опоре дает возможность размещать нагреваемую деталь на нагревателе. Большой сердечник нагревателя способен поворачиваться для установки подшипника. Для работы с малыми деталями также поставляются два малых сердечника. Нагреватель оснащен датчиком температуры с магнитным креплением для контроля температуры нагреваемой детали. Термозащитные перчатки входят в комплект поставки.

ТИН 220m	
Напряжение ($\pm 10\%$): ТИН 220m/MV ТИН 220m/LV	400 - 460В / 50 - 60Гц 200 - 240В / 50 - 60Гц
Рекомендуемая защита: ТИН 220m/MV ТИН 220m/LV	минимальное требование 25 А минимальное требование 50 А
Потребляемая мощность (максим.)	10,0 - 11,5 кВт для 400 - 460 В
Контроль температуры	0 - 250 °С (32 - 482 °F); с шагом в 1°
Тип датчика	термопара, К типа
Максимальная температура датчика	250 °С (482 °F)
Временной режим	0-60 минут; с шагом в 0.1 минуты
Диапазон мощности	100% - 50%
Размагничивание	автоматическое, остаточная намагниченность < 2А/см
Наружные размеры (ш х д х в)	750 x 290 x 440 мм (29.5 x 11.4 x 17.3 д)
Межопорное пространство (ш х в)	250 x 255 мм (9.8 x 10.0 д)
Диаметр катушки	140 мм (5.5 д) Для подшипника с мин. диаметром отверстия 150 мм (5.9 д)
Вес (включая сердечники)	86 кг (189 ф)
Максимальный вес рабочей детали	Подшипник: 300 кг (661 ф) Другая деталь: 150 кг (330 ф)
Максимальная температура нагрева	прибл. 400 °С (752 °F)
m_{20}^*	220 кг (подшипник 23172)
Размеры стандартных сердечников: 70 x 70 x 430 мм (2.8 x 2.8 x 16.9 д) 40 x 40 x 430 мм (1.5 x 1.5 x 16.9 д)	Для подшипника с мин. диаметром отверстия: 100 мм (3.9 д) 60 мм (2.3 д)

* m_{20} - это масса в кг самого большого сферического роликоподшипника SKF серии 231, который можно нагреть от 20 до 110 °С (от 68 до 230 °F) за 20 минут.

3. Подключение

Квалифицированный электрик должен произвести надлежащее подключение. Правильное напряжение питания см. п.п. 2.2 Провода должны быть соединены таким образом:

Цвет провода ТИН 220m/хх	Клемма
Желтый/Зеленый	Земля
Голубой	Фаза 1
Коричневый	Фаза 2

Подключайте ТИН 220m только к двум или трем фазам.

ТИН 220m/LV с одной фазой

Цвет провода ТИН 220m/LV	Клемма
Желтый/Зеленый	Земля
Голубой	Нейтраль
Коричневый	Фаза 1

4. Подготовка к использованию

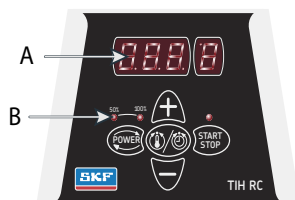
- Поместить ТИН 220m в горизонтальное положение на неподвижной поверхности.
- Подключить к электросети.
- Подключите блок ДУ к нагревателю.
- Установите поворотный узел на вертикальную опору поворотного устройства. См. иллюстрацию в начале настоящей инструкции.
- Для рабочей детали, внутренний диаметр которой позволяет поместить ее на индукционную катушку, выполните следующие действия:
 - Откиньте опоры для подшипника и расположите их как показано в начале настоящей инструкции.
 - Расположите рабочую деталь на индукционной катушке, используя соответствующее подъемное оборудование.
 - Для лучшего функционирования расположите деталь таким образом, чтобы катушка находилась по центру внутреннего отверстия детали.
 - Установите поворотный сердечник так, чтобы он полностью закрывал обе вертикальные опоры.
- Для рабочей детали, которая не подходит для помещения на индукционную катушку выполните следующие действия:
 - Выберите наибольший из двух сердечников, который можно продеть сквозь внутреннее отверстие детали.
 - Поместите рабочую деталь на выбранный сердечник.
 - Установите сердечник полированной стороной на две опоры.
- Если вы собираетесь использовать режим «TEMP MODE», подключите термопару к разъему, расположенному на левой стороне нагревателя. Установите датчик на внутреннем кольце подшипника или на внутренней поверхности детали.
- Включите нагреватель.
- Наблюдайте за прохождением внутреннего тестирования на экране блока ДУ и следите за тоновыми сигналами.

5. Эксплуатация

5.1 Показания дисплея

- A Дисплей блока ДУ показывает выбранное время или температуру нагрева.
 B Ж/К дисплей мощности показывает выбранную мощность.

Дисплей	Индикация
t	Время в минутах
°C	Температура в градусах Цельсия
°F	Температура в градусах Фаренгейта



5.2 Функции клавиш

Клавиша	Функция
POWER	Нажмите для настройки мощности. Выбранный уровень отобразится на экране мощности
MODE	Нажмите для переключения режимов установки времени TIME MODE или температуры TEMP MODE
UP (+)	Нажмите для увеличения значений, показанных на блоке ДУ
DOWN (-)	Нажмите для уменьшения значений, показанных на блоке ДУ
START / STOP	Нажмите для начала или остановки нагрева. Лампочка клавиши START / STOP горит при нагреве и мигает при измерении температуры

5.3 Режим Temp Mode

- Если на дисплее блока ДУ горит 't', нажмите MODE для выбора режима TEMP MODE. На дисплее блока ДУ отобразиться °C или °F в режиме TEMP MODE.
- Выбранная температура отображается на дисплее блока ДУ. По умолчанию установлена оптимальная для нагрева подшипников температура +110 °C. Если необходимо установить другую температуру, то нажмите UP или DOWN для установки требуемого значения с шагом в 1 градус.
- Может возникнуть необходимость нагрева подшипника до температуры свыше 110°C (230 °F). Уточните в спецификации подшипников SKF максимально возможную температуру для данного типа подшипника. Убедитесь, что скорость нагрева не слишком высока, в противном случае скорость расширения внутреннего кольца превысит скорость расширения наружного, произойдет резкое уменьшение внутреннего зазора и, как следствие – повреждение дорожек и телами качения нагреваемого подшипника. См. раздел 5.8.
- Нажмите POWER для выбора уровня мощности. Используйте раздел 5.8 настоящего руководства для правильной настройки мощности.
- Удостоверьтесь, что датчик температуры установлен на внутреннем кольце подшипника.

- Нажмите START / STOP для старта нагревателя. Дисплей блока ДУ покажет текущую температуру рабочей детали.
- В течение нагрева температуру можно посмотреть на 1 секунду нажатием MODE.
- Когда выбранная температура будет достигнута, нагреватель автоматически размагнитит нагреваемую деталь, отключится и издаст 10-и секундный звуковой сигнал.
- Нажмите START / STOP для прекращения звукового сигнала и нагрева.
- Снимите нагретую деталь с помощью специального инструмента.
- Если деталь находится в нагревателе по окончании ее нагрева, то нагреватель возобновит ее нагрев, как только ее температура упадет до 10 °C(18 °F). Нажмите START / STOP для прекращения нагрева и размагничивания детали.
- Теперь TИH 220m готов к нагреву другой детали с теми же установками.

5.4 Режим Time Mode

- Если экран блока ДУ показывает значок «°C» или «°F», нажмите MODE для выбора режима «TIME MODE». На главном экране отобразится буква «t» в режиме «TIME MODE».
- Нажмите UP или DOWN для изменения времени с шагом в 0,1 минуты.
- Нажмите POWER для выбора уровня мощности. Используйте раздел 5.8 настоящего руководства для правильной настройки мощности.
- Нажмите START / STOP для начала нагрева. На главном экране будет отображаться оставшееся время нагрева.
- В течение нагрева температура, измеряемая датчиком, может быть отображена на дисплее нажатием клавиши MODE.
- Когда время закончится, нагреватель размагнитит деталь, выключится и издаст 10-и секундный звуковой сигнал.
- Нажмите START / STOP для прекращения нагревания.
- Снимите деталь с помощью специального инструмента.
- После этого нагреватель TИH 220m готов к нагреву другой детали при тех же настройках.

5.5 Измерение температуры

Когда нагреватель не работает, температуру рабочей детали можно измерить нажатием MODE и START / STOP одновременно. Дiodный индикатор клавиши START / STOP будет гореть во время измерения температуры. Нажмите START / STOP для прекращения измерения температуры.

5.6 Выбор температурной шкалы °C или °F

Для выбора температурной шкалы °C или °F необходимо одновременно нажать MODE и UP. При включении прибора автоматически устанавливается последняя использованная шкала.

Нагреваемая деталь размагничивается автоматически после окончания нагрева. Размагничивание не будет осуществлено при отсутствии напряжения в цепи питания или принудительного отключении прибора. Используя ТИН 220m только для размагничивания, выберите режим «TIME MODE» и установите время 0,1 мин (6 секунд).

5.8 Выбор уровня мощности

При нагреве подшипника при помощи индукционного нагревателя внутреннее кольцо нагревается интенсивнее, чем наружное. Затем тепло распространяется по всему подшипнику. Медленный нагрев должен обеспечить более равномерное тепловое расширение деталей подшипника. Поэтому важно, чтобы подшипники с малым внутренним зазором или с преднатягом нагревались медленно для обеспечения минимальной разницы температуры разогрева колец. Форма, вес, внутренний зазор – все эти характеристики также влияют на время, необходимое для нагрева подшипника. Для выбора оптимальных параметров нагрева подшипников различных типоразмеров и конструктивных групп подшипников необходимо выполнять следующие рекомендации:

- Для чувствительных подшипников (включая подшипники с внутренним зазором С1 или С2) или подшипников с латунным сепаратором, не превышайте 50% мощности.
- При использовании малого сердечника не превышайте 50% мощности.

Для сферических роликоподшипников и подшипников типа CARB® необходимо выполнять специальные меры предосторожности при нагреве их в горизонтальном положении и последующем монтаже на вертикальный вал. Под своим весом ролики будут перемещаться в самое нижнее возможное положение: они будут входить в контакт с обеими дорожками качения снижая внутренний зазор. Для тяжелых сферических роликоподшипников и подшипников типа CARB® с большими роликами рекомендуется использовать центрующее кольцо. Оно удерживает ролики в положении посередине дорожек качения в течение процедур нагрева и монтажа.

6. Функции безопасности

ТИН 220m оборудован следующими функциями безопасности:

- Автоматическая защита от перегрева
- Автоматический контроль тока
- Предохранитель
- В режиме TEMP MODE нагреватель отключится, если датчик температуры не зафиксирует изменения температуры в 1 °C (1.8°F) каждые 15 секунд (0.25 минуты). Для увеличения этого интервала до 30 секунд (0.50 минуты), нажмите MODE и DOWN одновременно.

7. Неисправности

Неисправности системы отображаются с помощью одного из кодов на дисплее блока ДУ и сопровождаются звуковым сигналом:

Показания	Неисправность	Действия
E03 E	Перегрев катушки	Дождитесь пока катушка остынет. Выключите нагреватель и затем включите
E05 E	Температура увеличивается меньше чем на 1 °С каждые 15 секунд (или 1° каждые 30 секунд)	Проверьте соединение датчика температуры. Если все в порядке, то выберите 30 секундный интервал, как описано в разделе 6
E06 E	Датчик температуры не подключен (или неисправен) или чрезмерное падение температуры	Проверьте датчик температуры
E10 E	Проблемы электроники	Выключите нагреватель и затем включите. Если проблема повториться, верните нагреватель в СКФ для ремонта
E11 E	Проблемы электроники	Выключите нагреватель и затем включите. Если проблема повториться, верните нагреватель в СКФ для ремонта
E12E	Проблемы электроники	Выключите нагреватель и затем включите. Если проблема повториться, верните нагреватель в СКФ для ремонта

8. Запасные части

ТИН 220-PMV	Плата управления 400 - 460 В, 50 - 60 Гц
ТИН 220-PLV	Плата управления 200 - 240В, 50 - 60 Гц
ТИН 220-Y10	Сердечник 70 x 70 x 430 мм
ТИН 220-Y6	Сердечник 40 x 40 x 430 мм
ТИН 220-YS	Комплект опор сердечников - 70 x 70 x 150 мм (2x)
ТИН CP	Контрольная плата
ТИН RC	Блок ДУ
ТИН CB25A	Предохранитель 25А для ТИН 220m/MV
ТИН CB50A	Предохранитель 50А для ТИН 220m/LV
ТИН P20	Термопара К типа, включая кабель

The contents of this publication are the copyright of the publisher and may not be reproduced (even extracts) unless prior written permission is granted. Every care has been taken to ensure the accuracy of the information contained in this publication but no liability can be accepted for any loss or damage whether direct, indirect or consequential arising out of the use of the information contained herein.

Le contenu de cette publication est soumis au copyright de l'éditeur et sa reproduction, même partielle, est interdite sans autorisation écrite préalable. Le plus grand soin a été apporté à l'exactitude des informations données dans cette publication mais SKF décline toute responsabilité pour les pertes ou dommages directs ou indirects découlant de l'utilisation du contenu du présent document.

Nachdruck, auch auszugsweise, nur mit unserer vorherigen schriftlichen Genehmigung gestattet. Die Angaben in dieser Druckschrift wurden mit größter Sorgfalt auf ihre Richtigkeit hin überprüft. Trotzdem kann keine Haftung für Verluste oder Schäden irgendwelcher Art übernommen werden, die sich mittelbar oder unmittelbar aus der Verwendung der hier enthaltenen Informationen ergeben.

El contenido de esta publicación es propiedad de los editores y no puede reproducirse (incluso parcialmente) sin autorización previa por escrito. Se ha tenido el máximo cuidado para garantizar la exactitud de la información contenida en esta publicación, pero no se acepta ninguna responsabilidad por pérdidas o daños, ya sean directos, indirectos o consecuentes, que se produzcan como resultado del uso de dicha información.

La riproduzione, anche parziale, del contenuto di questa pubblicazione è consentita soltanto previa autorizzazione scritta della SKF. Nella stesura è stata dedicata la massima attenzione al fine di assicurare l'accuratezza dei dati, tuttavia non si possono accettare responsabilità per eventuali errori od omissioni, nonché per danni o perdite diretti o indiretti derivanti dall'uso delle informazioni qui contenute.

O conteúdo desta publicação é de direito autoral do editor e não pode ser reproduzido (nem mesmo parcialmente), a não ser com permissão prévia por escrito. Todo cuidado foi tomado para assegurar a precisão das informações contidas nesta publicação, mas nenhuma responsabilidade pode ser aceita por qualquer perda ou dano, seja direto, indireto ou consequente, como resultado do uso das informações aqui contidas.

本出版物内容的著作权归出版者所有且未经事先书面许可不得被复制（甚至引用）。我们已采取了一切注意措施以确定本出版物包含的信息准确无误，但我们不对因使用此等信息而产生的任何损失或损害承担任何责任，不论此等责任是直接、间接或附随性的。

Содержание этой публикации является собственностью издателя и не может быть воспроизведено (даже частично) без предварительного письменного разрешения. Несмотря на то, что были приняты все меры по обеспечению точности информации, содержащейся в настоящем издании, издатель не несет ответственности за любой ущерб, прямой или косвенный, вытекающий из использования вышеуказанной информации.

SKF Maintenance Products

© SKF is a registered trademark of the SKF Group.
© SKF Group 2014/11

www.mapro.skf.com
www.skf.com/mount

MP5330